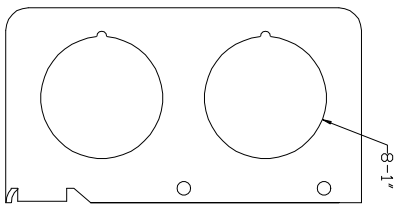
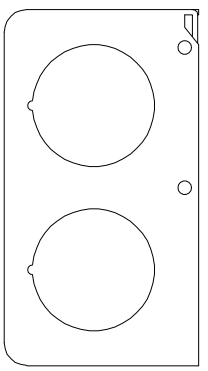
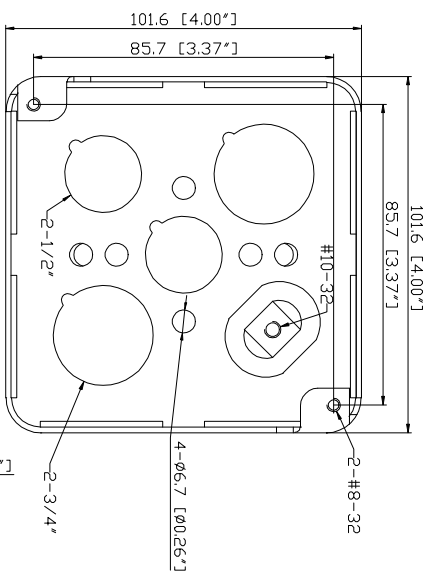
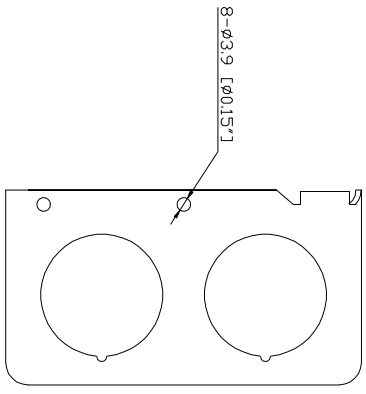
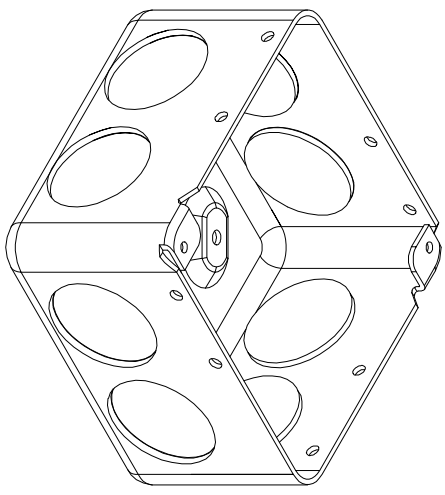


ELECTROLINE

Cat.# E-L 436



4" X 4" X 2-1/8"
 (4" A-1")
 1.6mm

