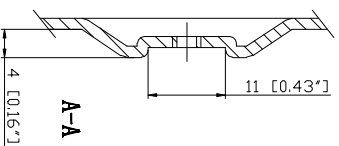
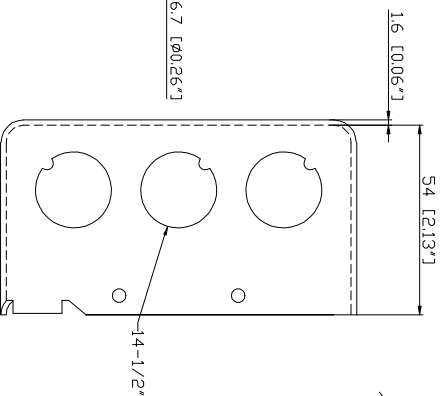
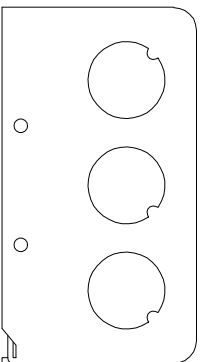
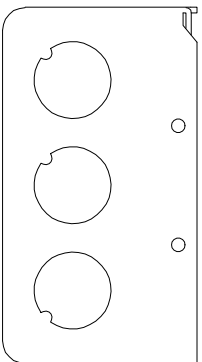
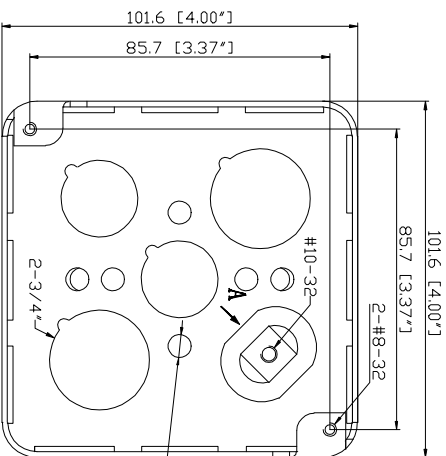
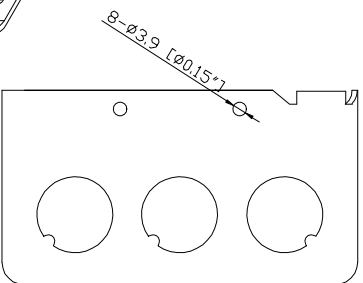
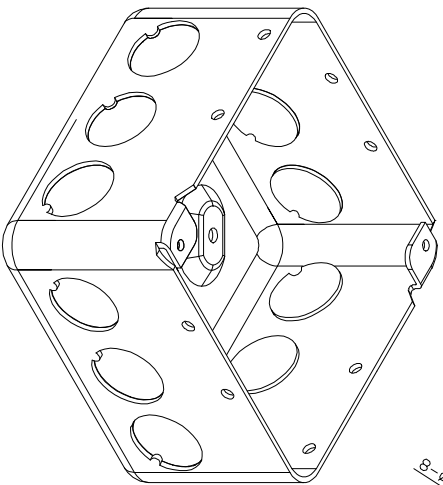


# ELECTROLINE

## Cat.# E-L 403



**4" X 4" X 2-1/8"**  
**(4" A-1/2")**  
**1.6mm**