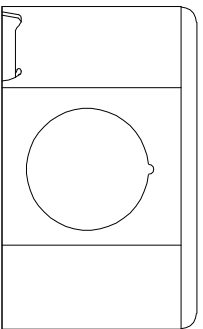
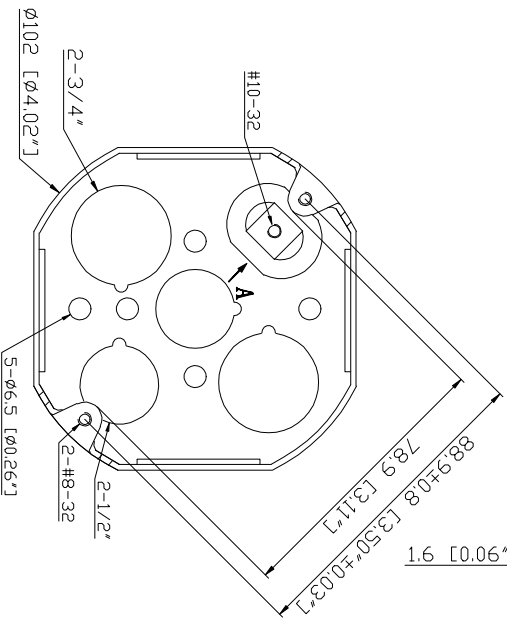
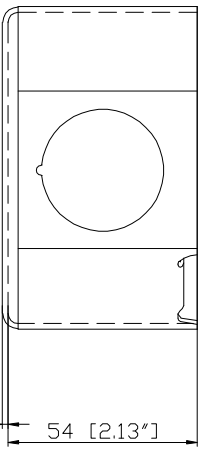
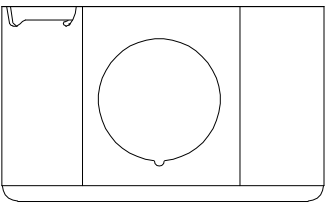
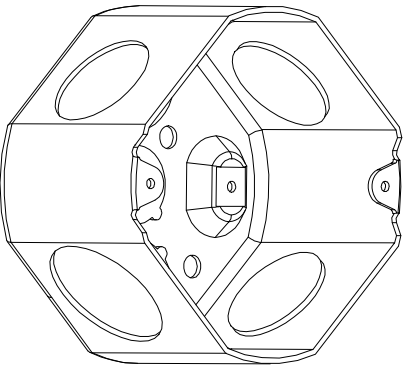


ELECTROLINE

Cat.# E-L 294



4" × 4" × 2-1/8"
(4"B-1")
1.6mm

