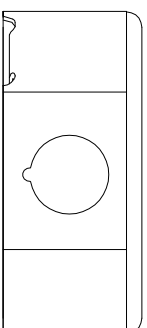
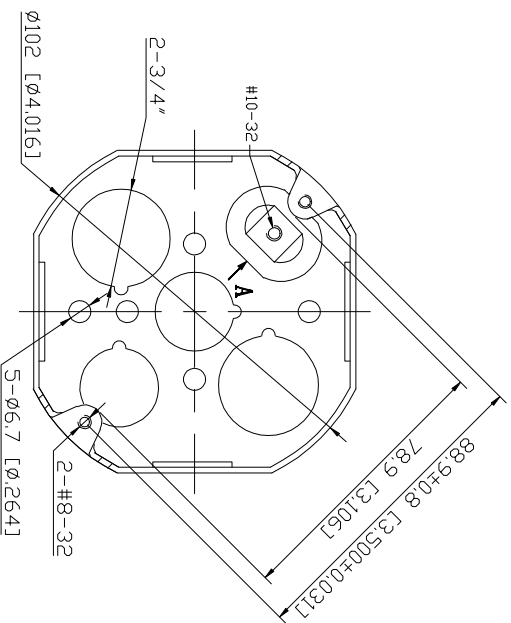
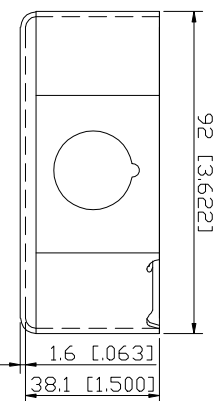
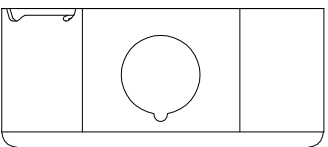
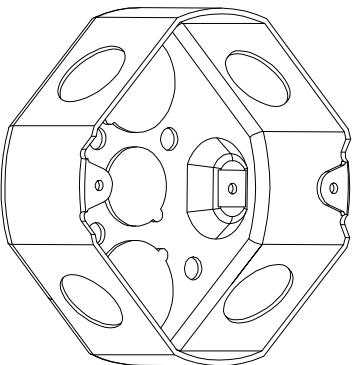
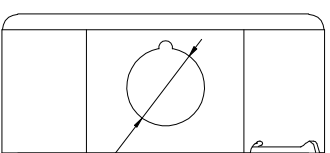


ELECTROLINE

Cat.# E-L 274



4 × 4 × 1-1/2"
 (4" B-1/2")
 1.6mm



6-1/2"

