



# DELIVERY SYSTEMS

Hubbell SystemOne is an innovative system that provides consumers with the flexibility to create personal solutions for the most demanding multi-service applications for both flush in-floor boxes and fire-rated poke-throughs.

Hubbell SystemOne features a unique universal cover assembly and a wide variety of application sub-plates that install on both Hubbell flush floor boxes and fire-rated poke-throughs.

Now, whatever the application, Hubbell SystemOne delivers a consistent, aesthetic and functional solution for applications "in-the-floor" or "through-the-floor" for power, voice, data, and AV requirements.



HUBBELL SYSTEMONE • NON-METALLIC • SINGLE SERVICE • STAMPED STEEL • RAISED ACCESS • FLOOR BOXES • ADA COLLAR • MULTI-SERVICE • ENCLOSURE • THROUGH FLOOR FITTING • MULTIMEDIA • DELIVERY+ • DECORATOR • VOIP DATA • SUB-PLATES • DUPLEX • FACE PLATES • ADAPTER FRAME • BRASS • ROUND FLOOR BOX • SERVICE POLES • DATA RATED POKE-THROUGHS • CARPET • GFCI • EXTRON® • 4" CORE HOLE • ROUND FLOOR BOXES • CAST IRON • STAMPED STEEL • FURNITURE FEED • SYSTEMONE SUB-PLATES • CONCRETE • TILE • DUCT PANEL • COVER/FLANGE • REAR WIRE FRAME • FLUSH DUPLEX • SINGLE RECEPTACLE 2x2 FIRE-RATED POKE-THROUGH • SERVICE FITTING • ALUMINUM • EAP • TWIST-LOCK® • INNOVATIVE DELIVERY SYSTEM • 2x2 FLUSH POKE-THROUGH • MULTI-CHANNEL • CARPET • TILE

## DELIVERY CONTENTS



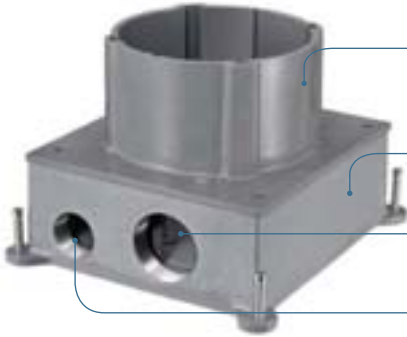
PRODUCT	PAGE
HUBBELL SYSTEMONE CONCRETE FLOOR BOXES.....	14
HUBBELL SYSTEMONE SUB-PLATES.....	16
HUBBELL SYSTEMONE FEATURES.....	17
FLOOR BOXES, FLUSH ROUND, SINGLE- OR MULTI-SERVICE .....	18
FLOOR BOXES, FLUSH ROUND, SINGLE-SERVICE.....	19
FLOOR BOXES, FLUSH RECTANGULAR, NON-METALLIC.....	110
FLOOR BOXES, FLUSH RECTANGULAR, CAST IRON .....	112
FLOOR BOXES, FLUSH RECTANGULAR, STAMPED STEEL.....	113
FLOOR BOXES, RECESSED, CONCRETE .....	114
FLOOR BOXES, RECESSED, 3-SERVICE .....	116
FLOOR BOXES, RAISED ACCESS.....	117
HUBBELL SYSTEMONE FIRE-RATED POKE-THROUGHS .....	118
HUBBELL SYSTEMONE FIRE-RATED POKE-THROUGHS, 4" .....	120
HUBBELL SYSTEMONE SUB-PLATES.....	121
FIRE-RATED POKE-THROUGHS, 2x2 FLUSH.....	122
FIRE-RATED POKE-THROUGHS, FLUSH DUPLEX.....	123
FIRE-RATED POKE-THROUGHS, FLUSH FURNITURE FEED.....	124
ALUMINUM SERVICE POLES .....	125
HUBBELL SYSTEMONE CONFIGURATION CHART .....	126

# Hubbell SystemOne Metal and Non-Metallic Concrete Floor Boxes

**ScrubShield™**  
Complies with UL514 A & C



## Hubbell SystemOne Cast-Iron Floor Box (S1CFB)



Non-metallic riser.

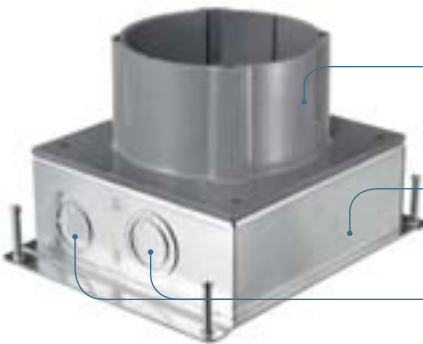
The Cast Iron Floor Box construction provides durability and corrosion resistance for on-grade applications.

Oversized 1½ in. N.P.T. threaded conduit access holes for low voltage.

1 in. N.P.T. threaded conduit access holes for power.

- Easily installed, aesthetic and configurable floor box solution for open floor plans that require both power and data services.
- The Hubbell SystemOne Universal Cover mounts directly to the floor box riser, eliminating the need for an additional adapter collar.

## Hubbell SystemOne Steel Floor Box (S1SFB)



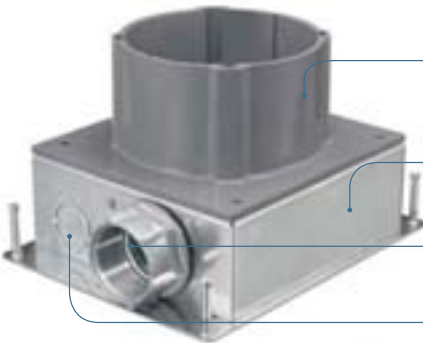
Non-metallic riser.

The Stamped Steel Floor Box construction provides an economic solution for above-grade applications.

Concentric knockouts permit various conduit sizes for both power and data services.

- The Hubbell SystemOne Universal Cover features ScrubShield™ technology that exceeds UL514A and UL514C scrub water exclusion requirements.
- Convenient cubic inch (cm<sup>3</sup>) capacity markings on interior of box.
- Leveling feet provide before pour adjustability.

## Hubbell SystemOne Steel AV Floor Box (S1SFBV)



Non-metallic riser.

Accommodates high-capacity multimedia applications in a 3½" minimum depth of pour.

Oversized 1½ in. N.P.T. threaded data hub.

¾ in., 1 in. trade size concentric knockouts for power services.

- PVC riser allows a simple saw cut for adjustment after pour.
- Supplied with concrete cover and closure plugs (where applicable).
- Designed to accommodate multi-service applications with the wide offering of Hubbell SystemOne Sub-Plates.

■ US LISTED, Metallic Floor Box.

## Hubbell SystemOne Non-Metallic Floor Box (S1PFB)



High-strength rigid PVC construction that is non-corrosive.

Oversized 1½" data conduit hub for increased cable capacity and bend radius.

Parallel conduit hubs reduce labor and material cost, facilitating easier wire pull.

- Provides an economical, easy to install in-floor delivery system for large, open plan spaces.
- The Hubbell SystemOne Universal Cover mounts directly to the floor box, eliminating the need for additional adapter collar.
- Supplied with concrete cover, conduit reducers and conduit hub plugs.
- US LISTED, Non-Metallic Floor Box.

# Hubbell SystemOne Metal and Non-Metallic Concrete Floor Boxes

ScrubShield

UL US LISTED

Complies with UL514 A & C

Dimensions Inches (mm)

	Cast Iron	Steel	Steel AV	Non-Metallic
	<p><b>S1CFB*</b></p>	<p><b>S1SFB*</b></p>	<p><b>S1SFBAV*</b></p>	<p><b>S1SPFB</b></p>
Min. Depth of Pour	3.50" (88.9)	3.50" (88.9)	3.50" (88.9)	3.00" (76.2)
Adjustability	Fully	Fully	Fully	Fully
Cubic Inch (cm <sup>3</sup> ) Capacity	156.0 cu. in. (2556.4 cm <sup>3</sup> )	175.7 cu. in. (2879.2 cm <sup>3</sup> )	177.5 cu. in. (2909.7 cm <sup>3</sup> )	100 cu. in. (1638.7 cm <sup>3</sup> )
Dimensions - A	3.00" (76.2)	3.00" (76.2)	3.00" (76.2)	6.00" (152.4)
Dimensions - B	7.26" (184.4)	7.50" (190.5)	7.50" (190.5)	5.58" (141.7)
Dimensions - C	7.45" (189.2)	7.38" (187.4)	7.38" (187.4)	8.76" (222.5)
Dimensions - D (Inside Diameter)	5.00" (127.0)	5.00" (127.0)	5.00" (127.0)	5.00" (127.0)
Power Entries	1" N.P.T. Access Holes	¾", 1" Concentric K.O.	¾", 1" Concentric K.O.	1" Conduit Hub
Data Entries	1½" N.P.T. Access Holes	¾", 1", 1 ¼" Concentric K.O.	1½" Threaded Hub (included)	1½" Conduit Hub
Concrete Cover Included	✓	✓	✓	✓
Closure Plugs Included	✓	-	✓	✓
Accepts Hubbell SystemOne Universal Cover	✓	✓	✓	✓
Cover Mounting Clips Included	✓	✓	✓	✓
Non-Metallic Low Voltage Divider Included (S1DIV1)	✓	✓	✓	✓

Notes: UL File Number E92074.

CSA File Number LR18416.

\*S1CFB, S1SFB, S1SFBAV are approved for use in the City of Chicago.

## Hubbell SystemOne Universal Covers

### Universal Carpet Flange and Cover Assembly

- Cast aluminum construction.
- Durable powder coat finish.



8.0" Diameter

Color	Catalog No.
Aluminum Finish	<b>S1CFCAL</b>
Brass Finish	<b>S1FCBRS</b>
Black	<b>S1FCBBL</b>
Gray	<b>S1FCGY</b>
Ivory	<b>S1FCFI</b>

### Universal Tile Flange and Cover Assembly

- Cast aluminum construction.
- Durable powder coat finish.



5.62" Diameter

Color	Catalog No.
Aluminum Finish	<b>S1TFCAL</b>
Brass Finish	<b>S1TFCBRS</b>
Black	<b>S1TFCBL</b>
Gray	<b>S1TFCGY</b>
Ivory	<b>S1TFCI</b>

Aluminum Finish



Brass Finish



Black



Gray



Ivory



# Hubbell SystemOne Sub-Plates

ScrubShield™

Complies with UL514 A & C



## Hubbell SystemOne Sub-Plates

### Decorator/GFCI

(2) Decorator openings for power and/or datacom applications.

③ Non-Metallic ③.5 Metal

Catalog No.



**S1SP**

### Duplex/Duplex

(2) Duplex openings for power and/or datacom applications.

③ Non-Metallic ③.5 Metal

Catalog No.



**S1SPDU**

### Duplex/Decorator

(1) Duplex and (1) Decorator opening for power and/or datacom applications.

③ Non-Metallic ③.5 Metal

Catalog No.



**S1SPDUSL**

### Hubbell 4x4

(4) 20A, 125V receptacles. (4) Keystone openings for Hubbell jacks or flush AV connectors.

④

Catalog No.



**S1SP4X4**

### Carpet Furniture Feed Cover/Flange

(1) 3/4" & (1) 1 1/2" N.P.T. plugs for power and/or datacom applications. Universal Cover not required. Includes carpet flange.

③ Non-Metallic ③.5 Metal

Color

Brass Finish

Aluminum Finish

Black

Gray



Catalog No.

**S1SPFFBRS\***

**S1SPFFAL\***

**S1SPFFBL\***

**S1SPFFGY\***

### Tile Furniture Feed Cover/Flange

(1) 3/4" & (1) 1 1/2" N.P.T. plugs for power and/or datacom applications. Universal Cover not required. Includes tile flange.

③ Non-Metallic ③.5 Metal

Color

Brass Finish

Aluminum Finish

Black

Gray



Catalog No.

**S1SPFFTBR\***

**S1SPFFTAL\***

**S1SPFFTBL\***

**S1SPFTGY\***

### Active Multimedia + Power

Single 20A, 125V receptacle; (2) flush Keystone openings; (1) rectangular Decorator opening to accommodate active multimedia modules.

⑤

Catalog No.



**S1SPAMM20**

### Single Receptacle + Data

20A or 30A Twist-Lock® receptacle (1.56" OD). (2) Keystone openings for Hubbell jacks or flush AV connectors.

④

Catalog No.



**S1SPTL**

### Hubbell Datacom + Power

(1) 20A, 125V receptacle. 3-unit recessed iSTATION™ opening for data, voice, and AV applications.

⑤

Catalog No.



**S1SP3IM**

### Hubbell Datacom + Duplex

(1) Duplex opening, (2) flush Keystone openings and 1.5-unit recessed iSTATION™ opening for data, voice and AV applications.

⑤

Catalog No.



**S1SPDU2IM**

### Hubbell Datacom + Decorator

(1) Decorator opening, (2) flush Keystone openings and 1.5-unit recessed iSTATION™ opening for data, voice and AV applications.

⑤

Catalog No.



**S1SPSL2IM**

### Hubbell Datacom

1-unit flush iSTATION™ opening. 3-unit recessed iSTATION™ opening for data, voice, and AV applications.

③.5

Catalog No.



**S1SP4IM**

### Extron® or FSR + Power

(1) 20A, 125V receptacle. Recessed opening for (3) single Extron® MAAP series adapter plates or FSR IPS plates.

④

Catalog No.



**S1SPEXT1**

### Extron® or FSR + Power

(1) 20A, 125V receptacle. Recessed opening for (1) single Extron® MAAP and (2) single AAP series adapter plates or FSR IPS plates.

④

Catalog No.



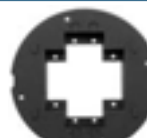
**S1SPEXT2**

### Extron® or FSR Single Service

Recessed opening for (2) single Extron® MAAP and (2) single AAP series adapter plates or FSR IPS plates.

④.5

Catalog No.



**S1SPEXT3**

### Extron® AAP + Power

(1) 20A, 125V receptacle. (2) flush Keystone and recessed opening for (2) single Extron® AAP series adapter plates.

④

Catalog No.



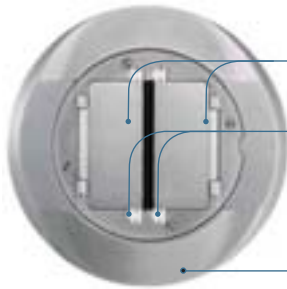
**S1SPEXT4**

Notes: \*Furnished with two screw-in flexible metal conduit connectors. Extron® is a registered trademark of Extron Electronics.



Signifies minimum depth of concrete pour in inches for Hubbell SystemOne Metal Floor Boxes (S1CFB, S1SFB and S1SFBV) and SystemOne Non-Metallic Floor Box (S1PFB).

## Hubbell SystemOne Universal Cover Features



Hinged doors open 180 degrees flush to the carpet flange or tile.

Screws allow each door to be secured independently.

Universal carpet or tile flange can be used for Hubbell SystemOne metal and non-metallic floor box as well as SystemOne fire-rated poke-throughs.

- Cast aluminum construction available in durable black, gray, brass, aluminum and ivory powder coat finishes.
- Features ScrubShield™ technology that exceeds UL514A and UL514C scrub water exclusion requirements.
- Provides consistent look and maximum functionality throughout the installed life.

## Hubbell SystemOne Sub-Plate Features



Can be used in both SystemOne floor boxes and fire-rated poke-throughs.

Accommodates various power and data configurations.

Durable construction.

- Cast aluminum construction.
- Durable powder coat finish.
- Black mat color.
- See the SystemOne Configuration Chart on page I26.

## Hubbell SystemOne Accessories

### Replacement Side-by-Side Divider

For replacement purposes only. Used to isolate compartments when Catalog No. S1SP, S1SPFFx, S1SPFFTx, S1SPDU, S1SPDUSL, S1SPDU2IM and S1SPSL2IM sub-plates are used. All SystemOne Floor Boxes include this divider.

Catalog No.



**S1DIV1**

### Replacement Universal Cover Mounting Clips - 5-pack

For replacement purposes only. Used to mount SystemOne Universal Cover to SystemOne metal and non-metallic floor boxes (S1CFB, S1SFB, S1SFBV, S1PFB). Includes clips and ground leads for (5) floor boxes. All SystemOne Floor Boxes include mounting clips.

Catalog No.



**S1FBCLIP5PK**

### 1 1/2" Threaded Hub

Includes 1 1/2" threaded hub for use with S1SFBV ONLY. Permits feed-through applications. S1SFBV floor box includes one (1) threaded hub.

Catalog No.



**S1AVHUB15**

### Replacement Threaded Conduit Plugs

For replacement purposes only, to be used with S1SPFFx and S1SPFFTx ONLY. Sub-plate is supplied with plugs.



Description	Catalog No.	Description	Catalog No.
1 1/2" Aluminum	<b>S1FP15AL</b>	3/4" Aluminum	<b>S1FP34AL</b>
1 1/2" Brass	<b>S1FP15BR</b>	3/4" Brass	<b>S1FP34BR</b>
1 1/2" Black	<b>S1FP15BL</b>	3/4" Black	<b>S1FP34BL</b>
1 1/2" Gray	<b>S1FP15GY</b>	3/4" Gray	<b>S1FP34GY</b>

### Decorator Frame, Black

Catalog No.



**2100BK**

### Abandonment Plate

Use to cover SystemOne Floor Boxes when cover, flange and sub-plate are removed.



Catalog No. Gray

Catalog No. Black

**S1AP4GY**

**S1AP4BL**

# Floor Boxes, Flush Round Single or Multi-Service Non-Metallic, Concrete

**ScrubShield**  
Complies with UL514C



Dimensions Inches (mm)

Min. Depth of Pour	3.00" (76.2)
Capacity	100 cubic inches prior to cutting level to floor (19.5 cubic inches per inch of depth).
Dimensions - A	6.00" (152.4)
Dimensions - B	7.08" (179.8)
Dimensions - C	6.69" (169.9)
Dimensions - D	5.38" (136.5)
Hubs	(2) 1.0" and (2) 3/4" conduit hubs
Concrete Cover Included	✓
Closure/Reducer Plugs	(2) 1" plugs close off 1" hubs or reduce 1" to 3/4" (2) 3/4" plugs close off 3/4" hubs or reduce 3/4" to 1/2"

**Adapter** Catalog No. **PFBA1A**  
Required for all applications.

**Low Voltage Divider** Catalog No. **PFBT1A**  
Required for use with catalog number **PFB1** when used in multi-service applications. Accepts Hubbell standard duplex receptacles or 15A Twist-Lock® duplex receptacles (Hubbell HBL4750 series).

**"Y" Adapter** Catalog No. **PFBYA1**  
3/4" "Y" adapter to feed parallel runs of 3/4" conduit.

Note: UL File Number E92074. CSA File Number LR18416.

## Flush Round Covers and Flanges

### Multi-Service Cover and Flange Assemblies

Includes floor box cover with Duplex flaps, (2) 1/2" dia. low voltage feed through holes and matching carpet flange. 6.25" Diameter.

Brass	Brown Non-Metallic	Ivory Non-Metallic	Gray Non-Metallic	Black Non-Metallic
<b>SF39253A</b>	<b>PFBCBRA</b>	<b>PFBICIA</b>	<b>PFBGCGYA</b>	<b>PFBCLLA</b>

## Single Service Covers

3.88" Diameter	Duplex Flap	Duplex Screw	2 1/8" x 3/4" Combination	2 1/8" x 1" Combination	2 1/8" Single Receptacle	2 3/8" Single Receptacle	2 1/8" Single Receptacle (Terrazzo Floor)
Brass							
Aluminum	<b>SA3925</b>	<b>SA3725</b>	<b>SA2525</b>	<b>SA2725</b>	<b>SA2925</b>	-	-

## Metal Carpet Flange

Use with single service covers for carpet applications. 6.25" Diameter.

Brass	Alum. Finish
<b>S3082</b>	<b>S3082AL</b>

## Adapter Ring

Use with single service covers for tile applications.

Brass	Aluminum
<b>S5016</b>	<b>SA5016</b>

## Furniture Feed Plate

Unpainted plate with 1" threaded opening.

Steel
<b>PFBP1</b>

## Cover and Carpet Flange, One-Piece

6.25" Diameter	Duplex Flap	2 1/8" x 3/4" Combination	2 1/8" x 1" Combination	2 1/8" Single Receptacle
	<b>SF3925*</b>	<b>SF2525*</b>	<b>SF2725</b>	<b>SF2925</b>

\* Catalog Number S5016 adapter ring is required for mounting SF series covers covers onto PFBA1A.

# Floor Boxes, Flush Round, Single Service, Metal, Concrete

**ScrubShield**  
Complies with UL514A



DELIVERY

Dimensions Inches (mm)

**Cast Iron**

**Stamped Steel**

	Cast Iron		Stamped Steel					
Collar Material	Brass	Aluminum	Brass	Aluminum	Aluminum	Brass	Aluminum	Aluminum
Min. Depth of Pour	3.75" (95.3)	3.75" (95.3)	4.75" (120.7)	3.00" (76.2)	4.00" (101.6)	3.00" (76.2)	3.00" (76.2)	3.00" (76.2)
Adjustability	Fully	Fully	Fully	Fully	Fully	Fully	Fully	Fully
Cubic Inch (cm <sup>3</sup> ) Capacity	33.0 cu. in. (540.7 cm <sup>3</sup> )	36.0 cu. in. (590.0 cm <sup>3</sup> )	50.8 cu. in. (832.5 cm <sup>3</sup> )	33.0 cu. in. (540.7 cm <sup>3</sup> )	54.0 cu. in. (884.9 cm <sup>3</sup> )	37.3 cu. in. (611.2 cm <sup>3</sup> )	37.3 cu. in. (611.2 cm <sup>3</sup> )	37.3 cu. in. (611.2 cm <sup>3</sup> )
Dimensions - A	3.05" (77.5)	3.75" (95.3)	4.75" (120.7)	2.87" (72.9)	3.88" (98.6)	2.91" (73.9)	2.91" (73.9)	2.91" (73.9)
Dimensions - B	4.84" (122.9)	5.00" (127.0)	5.00" (127.0)	4.84" (122.9)	6.00" (152.4)	6.00" (152.4)	6.00" (152.4)	6.00" (152.4)
Dimensions - C	4.84" (122.9)	4.63" (117.6)	4.66" (118.4)	4.84" (122.9)	4.81" (122.2)	4.81" (122.2)	4.81" (122.2)	4.81" (122.2)
Dimensions - D	4.19" (106.4)	4.19" (106.4)	4.19" (106.4)	4.19" (106.4)	4.19" (106.4)	4.19" (106.4)	4.19" (106.4)	4.19" (106.4)
Threaded Access Holes	(4) 3/4" (4) 1"	(4) 3/4"	(4) 1 1/4" (4) 1 1/2"	(4) 3/4"	-	-	-	-
Knockouts - Sides	-	-	-	-	-	(1) 1" & (1) 3/4"	(2) 1/2" & (1) 3/4"	(2) 1/2" & (1) 3/4"
Knockouts - Ends	-	-	-	-	-	(1) 1 1/4" & (1) 3/4"	(1) 1/2" & (1) 1/2"	(1) 1/2" & (1) 1/2"
Knockouts - Bottom	-	-	-	-	-	(3) 1/2" & (2) 3/4"	(3) 1/2" & (2) 3/4"	(3) 1/2" & (2) 3/4"
Concrete Cover Included	✓	✓	✓	✓	✓	✓	✓	✓
Closure Plugs Included	✓	✓	✓	✓	✓	-	-	-

Notes: UL File Number E31999.  
CSA File Number LR18416.  
Suitable for single service applications only.

## Single Service Covers

3.88" Diameter	Duplex Flap	Duplex Screw	2 1/8" x 3/4" Combination	2 1/8" x 1" Combination	2 1/8" Single Receptacle	2 3/8" Single Receptacle	2 1/8" Single Receptacle (Terrazzo Floor)
Brass	<b>S3925</b>	<b>S3725</b>	<b>S2525</b>	<b>S2725</b>	<b>S2925</b>	<b>S3525</b>	<b>S3325</b>
Aluminum	<b>SA3925</b>	<b>SA3725</b>	<b>SA2525</b>	<b>SA2725</b>	<b>SA2925</b>	-	-

## Carpet Flanges

5.25" Diameter	Brass	Aluminum	Clear Polycarbonate	6.25" Diameter	Brass	Aluminum Finish
	<b>S3182</b>	<b>SA3182</b>	<b>S3079</b>	<b>S3082</b>	<b>S3082AL</b>	

## Cover and Carpet Flange, One-Piece

6.25" Diameter	Duplex Flap	2 1/8" x 3/4" Combination	2 1/8" x 1" Combination	2 1/8" Single Receptacle
	<b>SF3925</b>	<b>SF2525</b>	<b>SF2725</b>	<b>SF2925</b>

Floor Boxes, Flush Round, Single-Service

# Floor Boxes, Flush Rectangular, Non-Metallic Concrete with Non-Metallic Covers

**ScrubShield**  
Complies with UL514C



## Rectangular Floor Boxes, Flush

Dimensions Inches (mm)

Style	1-Gang	2-Gang	3-Gang
	<p><b>PFBRG1*</b></p>	<p><b>PFBRG2</b></p>	<p><b>PFBRG3</b></p>
Min. Depth of Pour	3.00" (76.2)	3.00" (76.2)	3.00" (76.2)
Adjustability	Fully	Fully	Fully
Cubic Inch (cm <sup>3</sup> ) Capacity Per Gang	14.3 cu. in. (234.3 cm <sup>3</sup> ) per 1" depth	14.3 cu. in. (234.3 cm <sup>3</sup> ) per 1" depth	14.3 cu. in. (234.3 cm <sup>3</sup> ) per 1" depth
Dimensions - A	6.00" (152.4)	6.00" (152.4)	6.00" (152.4)
Dimensions - B	3.60" (91.4)	6.82" (173.2)	10.04" (255.0)
Dimensions - C	5.42" (137.7)	5.42" (137.7)	5.42" (137.7)
Dimensions - D	6.90" (175.3)	6.90" (175.3)	6.90" (175.3)
Dimensions - E	5.44" (138.2)	8.66" (220.0)	11.87" (301.5)
Hubs	(4) 1"	(6) 1"	(8) 1"
Reducers	(4) 1" to 3/4"	(6) 1" to 3/4"	(8) 1" to 3/4"
Concrete Cover Included	✓	✓	✓
Closure Plugs and Reducers Included	✓	✓	✓
Removable LV Barrier	—	✓	✓

Notes: UL File Number E92074.

CSA File Number LR18416.

\* Suitable for single service applications only.

## Flush Rectangular, Non-Metallic Covers and Flanges

### Required Components for Carpet Applications

#### Carpet Flanges

Number of Gangs	1-Gang	2-Gang	3-Gang
Dimensions	6.00" x 4.88"	6.00" x 8.13"	6.00" x 11.35"



#### Cover with Duplex and Decorator Inserts included

One Required per Gang 4.15" x 2.97"

Duplex Insert	Cover	Decorator Insert

Black	<b>PFBRFBL1</b>	<b>PFBRFBL2</b>	<b>PFBRFBL3</b>	<b>PFBR826BLA</b>
Brown	<b>PFBRFBR1</b>	<b>PFBRFBR2</b>	<b>PFBRFBR3</b>	<b>PFBR826BRA</b>
Gray	<b>PFBRFGY1</b>	<b>PFBRFGY2</b>	<b>PFBRFGY3</b>	<b>PFBR826GYA</b>
Ivory	<b>PFBRFI1</b>	<b>PFBRFI2</b>	<b>PFBRFI3</b>	<b>PFBR826IA</b>

### Required Components for Tile Applications

#### Mounting Collar

One Required per Gang



**PFBRMC**

#### Cover Frame

One Required per Gang  
Dim. 4.47" x 3.25"



**PFBRFRA**

#### Cover with Duplex and Decorator Inserts included - Gray

One Required per Gang  
Cover Dim. 4.15" x 2.97"

Duplex Insert	Cover	Decorator Insert

**PFBR826GYA**

# Floor Boxes, Flush Rectangular Non-Metallic Concrete with Metal Covers

**ScrubShield**  
Complies with UL514C



DELIVERY

Floor Boxes, Flush Rectangular, Non-Metallic

## Rectangular Floor Boxes, Flush

Dimensions Inches (mm)

Style	1-Gang	2-Gang	3-Gang
	<p><b>PFBRG1*</b></p>	<p><b>PFBRG2</b></p>	<p><b>PFBRG3</b></p>
Min. Depth of Pour	3.00" (76.2)	3.00" (76.2)	3.00" (76.2)
Adjustability	Fully	Fully	Fully
Cubic Inch (cm <sup>3</sup> ) Capacity Per Gang	14.3 cu. in. (234.3 cm <sup>3</sup> ) per 1" depth	14.3 cu. in. (234.3 cm <sup>3</sup> ) per 1" depth	14.3 cu. in. (234.3 cm <sup>3</sup> ) per 1" depth
Dimensions - A	6.00" (152.4)	6.00" (152.4)	6.00" (152.4)
Dimensions - B	3.60" (91.4)	6.82" (173.2)	10.04" (255.0)
Dimensions - C	5.42" (137.7)	5.42" (137.7)	5.42" (137.7)
Dimensions - D	6.90" (175.3)	6.90" (175.3)	6.90" (175.3)
Dimensions - E	5.44" (138.2)	8.66" (220.0)	11.87" (301.5)
Hubs	(4) 1"	(6) 1"	(8) 1"
Reducers	(4) 1" to 3/4"	(6) 1" to 3/4"	(8) 1" to 3/4"
Concrete Cover Included	✓	✓	✓
Closure Plugs and Reducers Included	✓	✓	✓
Removable LV Barrier	—	✓	✓

Notes: UL File Number E92074.

CSA File Number LR18416.

\* Suitable for single service applications only.

## Flush Rectangular, Metal Covers and Flanges

### Required Components for Carpet and Tile Applications

**Adapter Collar** - One Required per Gang  
Gray **PFBRAC**



**Adapter Frame** with Grounding Lug - One Required per Gang  
Dim. 4.36" x 3.20"

Brass  
Aluminum

**S5017G**  
**SA5017G**



### Covers - One Required per Gang

	Duplex Flap	Duplex Screw	Decorator Opening	2 1/8" x 3/4" Combination	2 1/8" x 1" Combination	2 1/8" Single Receptacle	Blank
Brass	<b>S3825</b>	<b>S3625</b>	<b>S3826</b>	<b>S2425</b>	<b>S2625</b>	<b>S2825</b>	<b>S3813</b>
Aluminum	<b>SA3825</b>	<b>SA3625</b>	<b>SA3826</b>	<b>SA2425</b>	<b>SA2625</b>	-	<b>SA3813</b>
Dimensions:	4.15" x 2.99"						

### Carpet Flanges (Not Required for Tile Applications)

Tapered Flange	1-Gang		2-Gang		3-Gang	
No. of Gangs	1-Gang		2-Gang		3-Gang	
Dimensions	6" x 4.85"		6" x 8.13"		6" x 11.34"	
Brass	<b>SB3083</b>		<b>SB3084</b>		<b>SB3085</b>	
Aluminum	<b>SA3083</b>		<b>SA3084</b>		<b>SA3085</b>	

# Floor Boxes, Flush Rectangular, Cast Iron, Concrete

**ScrubShield**  
Complies with UL514A



Dimensions Inches (mm)

## Cast Iron

Style	1-Gang Deep	2-Gang Deep	3-Gang Deep	1-Gang Shallow	2-Gang Shallow	3-Gang Shallow
Collar Material						
Brass	<b>B2436*</b> <b>B243641*</b>	<b>B4233</b> <b>B423341</b>	<b>B4333</b> <b>B433361</b>	<b>B2414*</b>	<b>B4214</b>	<b>B4314</b>
Aluminum	<b>BA2436*</b> -	<b>BA4233</b> -	<b>BA4333</b> -	-	-	-
Min. Depth of Pour	3.75" (95.3)	3.75" (95.3)	3.75" (95.3)	2.00" (50.8)	2.00" (50.8)	2.00" (50.8)
Adjustability	Fully	Fully	Fully	Semi	Semi	Semi
Cubic Inch (cm <sup>3</sup> ) Capacity Per Gang	33.0 cu. in. (540.7 cm <sup>3</sup> )	36.5 cu. in. (598.1 cm <sup>3</sup> )	34.8 cu. in. (570.3 cm <sup>3</sup> )	16.0 cu. in. (262.2 cm <sup>3</sup> )	16.0 cu. in. (262.2 cm <sup>3</sup> )	16.0 cu. in. (262.2 cm <sup>3</sup> )
Dimensions - A	3.20" (81.3)	3.38" (85.9)	3.38" (85.9)	2.00" (50.8)	2.00" (50.8)	2.00" (50.8)
Dimensions - B	4.69" (119.1)	4.84" (122.9)	4.90" (122.5)	5.46" (138.7)	5.46" (138.7)	5.46" (138.7)
Dimensions - C	4.69" (119.1)	8.06" (204.7)	11.41" (289.8)	4.19" (106.4)	7.49" (190.2)	10.7" (271.8)
Dimensions - D	4.36" (110.7)	4.36" (110.7)	4.36" (110.7)	4.38" (111.3)	4.38" (111.3)	4.38" (111.3)
Dimensions - E	3.19" (81.0)	6.42" (163.1)	9.64" (244.9)	3.19" (81.0)	6.38" (162.1)	9.56" (242.8)
Threaded Access Holes	(4) 3/4" (4) 1"	(6) 3/4" (4) 1" & (2) 3/4"	(8) 3/4" (6) 1" & (2) 3/4"	(2) 3/4"	(4) 3/4"	(6) 3/4"
Concrete Cover Included	✓	✓	✓	✓	✓	✓
Closure Plugs Included	✓	✓	✓	✓	✓	✓
Removable LV Barrier	-	✓	✓	-	-	-

Notes: UL File Number E92074.

CSA File Number LR18416.

\* Suitable for single service applications only.

## Floor Box Covers, Flush Rectangular

	Duplex Flap	Duplex Screw	Decorator Opening	2 1/8" x 3/4" Combination	2 1/8" x 1" Combination	2 1/8" x Single Receptacle	2 3/8" Single Receptacle	Blank
Brass	<b>S3825</b>	<b>S3625</b>	<b>S3826</b>	<b>S2425</b>	<b>S2625</b>	<b>S2825</b>	<b>S3425</b>	<b>S3813</b>
Aluminum	<b>SA3825</b>	<b>SA3625</b>	<b>SA3826</b>	<b>SA2425</b>	<b>SA2625</b>	-	-	<b>SA3813</b>

Dimensions: 4.15" x 2.99"

## Carpet Flanges

Tapered Flange	1-Gang	2-Gang	3-Gang
Dimensions	6.00" x 4.85"	6.00" x 8.13"	6.00" x 11.34"
Brass	<b>SB3083</b>	<b>SB3084</b>	<b>SB3085</b>
Aluminum	<b>SA3083</b>	<b>SA3084</b>	<b>SA3085</b>
Clear Polycarbonate	<b>S3083</b>	<b>S3084</b>	<b>S3085</b>



# Floor Boxes, Flush Rectangular, Stamped Steel, Concrete

**ScrubShield**  
Complies with UL514C



DELIVERY

Dimensions Inches (mm)

## Stamped Steel

Style	1-Gang Deep	2-Gang Deep	3-Gang Deep	1-Gang Shallow	2-Gang Shallow	3-Gang Shallow	1-Gang Deep	1-Gang Shallow
Collar Material								
Brass	<b>B2431*</b>	<b>B2432</b>	<b>B2433</b>	<b>B2421*</b>	<b>B2422</b>	<b>B2423</b>	<b>B2427*</b>	<b>B2429*</b>
Aluminum	<b>BA2431*</b>	<b>BA2432</b>	<b>BA2433</b>	<b>BA2421*</b>	<b>BA2422</b>	<b>BA2423</b>	–	–
Min. Depth of Pour	3.75" (95.3)	3.75" (95.3)	3.75" (95.3)	2.75" (69.9)	2.75" (69.9)	2.75" (69.9)	4.00" (101.6)	3.00" (76.2)
Adjustability	Fully	Fully	Fully	Fully	Fully	Fully	Fully	Fully
Cubic Inch (cm <sup>3</sup> ) Capacity Per Gang	60.0 cu. in. (983.2 cm <sup>3</sup> )	52.8 cu. in. (865.2 cm <sup>3</sup> )	50.8 cu. in. (832.5 cm <sup>3</sup> )	39.5 cu. in. (647.3 cm <sup>3</sup> )	35.0 cu. in. (573.5 cm <sup>3</sup> )	34.0 cu. in. (557.2 cm <sup>3</sup> )	54.0 cu. in. (884.9 cm <sup>3</sup> )	37.3 cu. in. (611.2 cm <sup>3</sup> )
Dimensions – A	3.72" (94.5)	3.72" (94.5)	3.72" (94.5)	2.74" (69.6)	2.74" (69.6)	2.74" (69.6)	3.90" (99.1)	2.81" (71.4)
Dimensions – B	4.81" (122.2)	4.81" (122.2)	4.81" (122.2)	4.81" (122.2)	4.81" (122.2)	4.81" (122.2)	4.81" (122.2)	4.81" (122.2)
Dimensions – C	6.00" (152.4)	9.25" (235.0)	12.50" (317.5)	6.00" (152.4)	9.25" (235.0)	12.50" (317.5)	6.00" (152.4)	6.00" (152.4)
Dimensions – D	4.38" (111.3)	4.38" (111.3)	4.38" (111.3)	4.38" (111.3)	4.38" (111.3)	4.38" (111.3)	4.38" (111.2)	4.38" (111.2)
Dimensions – E	3.19" (81.0)	6.44" (163.6)	9.67" (245.6)	3.19" (81.0)	6.44" (163.6)	9.67" (245.6)	3.19" (81.0)	3.19" (81.0)
Knockouts – Sides	(1) 3/4", 1", 1 1/4"	(2) 3/4", 1", 1 1/4"	(3) 3/4", 1", 1 1/4"	(2) 1/2", (1) 3/4"	(4) 1/2", (1) 3/4"	(6) 1/2", (1) 3/4"	(1) 1/2", (1) 1 1/4"	(2) 1/2", (1) 3/4"
Knockouts – Ends	(1) 3/4", 1", 1 1/4"	(1) 3/4", 1", 1 1/4"	(1) 3/4", 1", 1 1/4"	(1) 1/2", (1) 3/4"	(2) 1/2", (1) 3/4"	(2) 1/2", (1) 3/4"	(1) 3/4", (1) 1"	(1) 1/2", (1) 3/4"
Knockouts – Bottom	(2) 3/4", 1", 1 1/4"	(4) 3/4", 1", 1 1/4"	(6) 3/4", 1", 1 1/4"	(2) 3/4", 1", 1 1/4"	(4) 3/4", 1", 1 1/4"	(6) 3/4", 1", 1 1/4"	(3) 1/2", (2) 3/4"	(3) 1/2", (2) 3/4"
Concrete Cover Included	✓	✓	✓	✓	✓	✓	✓	✓
Closure Plugs Included	–	–	–	–	–	–	–	–
Removable LV Barrier	–	✓	✓	–	✓	✓	–	–

Notes: UL File Number E92074.

CSA File Number LR18416.

\* Suitable for single service applications only.

## Floor Box Covers, Flush Rectangular

	Duplex Flap	Duplex Screw	Decorator Opening	2 1/8" x 3/4" Combination	2 1/8" x 1" Combination	2 1/8" x Single Receptacle	2 3/8" Single Receptacle	Blank
Brass	<b>S3825</b>	<b>S3625</b>	<b>S3826</b>	<b>S2425</b>	<b>S2625</b>	<b>S2825</b>	<b>S3425</b>	<b>S3813</b>
Aluminum	<b>SA3825</b>	<b>SA3625</b>	<b>SA3826</b>	<b>SA2425</b>	<b>SA2625</b>	–	–	<b>SA3813</b>
Dimensions:	4.15" x 2.99"							

## Carpet Flanges

Tapered Flange	1-Gang	2-Gang	3-Gang
Dimensions	6.00" x 4.85"	6.00" x 8.13"	6.00" x 11.34"
Brass	<b>SB3083</b>	<b>SB3084</b>	<b>SB3085</b>
Aluminum	<b>SA3083</b>	<b>SA3084</b>	<b>SA3085</b>
Clear Polycarbonate	<b>S3083</b>	<b>S3084</b>	<b>S3085</b>

Floor Boxes, Flush, Rectangular, Stamped Steel

# Floor Boxes, Recessed 4- and 8-Gang Concrete

**ScrubShield™**  
Complies with UL514A



Dimensions Inches (mm)

### Stamped Steel

### Cast Iron

Style	4-Gang Deep	4-Gang Shallow	8-Gang Deep	4-Gang Shallow
	<p><b>HBLCFB301BASE</b></p>	<p><b>HBLCFB401BASE</b></p>	<p><b>HBLCFB501BASE</b></p>	<p><b>HBLCFB401CB</b></p>
Min. Depth of Pour	4.25" (107.6)	3.00" (76.2)	5.25" (133.4)	3.25" (82.6)
Adjustability	Fully	Fully	Fully	Fully
Cubic Inch (cm <sup>3</sup> ) Capacity Per Chamber	29.5 cu. in. (483.4 cm <sup>3</sup> )	25.5 cu. in. (417.9 cm <sup>3</sup> )	49.5 cu. in. (811.2 cm <sup>3</sup> )	25.5 cu. in. (417.9 cm <sup>3</sup> )
Dimensions – A	4.0" (101.6)	2.63" (66.8)	5.13" (130.3)	3.13" (79.5)
Dimensions – B	10.0" (254.0)	10.0" (254.0)	10.0" (254.0)	10.0" (254.0)
Dimensions – C	10.0" (254.0)	10.0" (254.0)	10.0" (254.0)	10.0" (254.0)
Threaded Access Holes – Per Chamber	–	–	–	(2) 1"
Knockouts – Per Chamber	(1) Concentric 1/2", 3/4" (1) Concentric 3/4", 1" (1) 1 1/4"	(3) Concentric 1/2", 3/4"	(1) Concentric 1/2", 3/4" (1) Concentric 3/4", 1" (1) 1 1/4"	–
Concrete Cover Included	✓	✓	✓	✓
Closure Plugs Included	–	–	–	✓

Notes: **UL File Number E197203.**  
**CSA File Number LR702145.**

### Recessed Floor Box Covers

**Die Cast Zinc Cover and Flange Assembly**  
Dimensions 10.69" x 10.69"

Granite

Black



Catalog No.

**HBLTCGNTSW**

**HBLTCGNTBKS**

### Hubbell Screw Type Face Plates\*

Duplex	Decorator	Toggle	Single Receptacle (1.56" Boss Dia.)	Single Receptacle (1.39" Boss Dia.)	Blank	Hubbell iSTATION™ (See page B23 for module options)	Hubbell 6-port
<b>HBLST302SGY</b>	<b>HBLDE301SGY</b>	<b>HBLTO310SGY</b>	<b>HBLTL318SGY</b>	<b>HBLTL319SGY</b>	<b>HBLBL300SGY</b>	<b>HBLIMFSGY</b>	<b>HBL317SGY</b>

Note: \* Catalog No. indicated is gray, replace "GY" with the following to designate color: "BK" for Black, "WA" for White, "I" for Ivory.



# Floor Boxes , Recessed 6-Gang Concrete

**ScrubShield**

Complies with UL514A



DELIVERY

Dimensions Inches (mm)	Stamped Steel		Cast Iron
Style	6-Gang	6-Gang	6-Gang
	<b>LCFBSSA</b>		<b>LCFBCA</b>
Min. Depth of Pour	3.50" (88.9)		3.65" (92.7)
Adjustability	Fully		Fully
Cubic Inch (cm <sup>3</sup> ) Capacity Per Chamber	(4) at 38.2 cu. in. (626.0 cm <sup>3</sup> ) (2) at 25.4 cu. in. (416.2 cm <sup>3</sup> )		(4) at 36.8 cu. in. (603.0 cm <sup>3</sup> ) (2) at 25.4 cu. in. (416.2 cm <sup>3</sup> )
Dimensions – A	6.18" (157.0)		6.35" (161.3)
Dimensions – B	12.95" (328.9)		13.11" (333.0)
Dimensions – C	12.95" (328.9)		13.11" (333.0)
Threaded Access Holes – Per Chamber	–		(1) 3/4" (1) 1 1/4"
Knockouts – Per Chamber	(1) Concentric 1", 1 1/4" (1) 3/4"		–
Concrete Cover Included	✓		✓
Closure Plugs Included	–		✓
Cover Mounting Brackets Included	✓		✓

Notes: UL File Number E31999.  
CSA File Number LR18416.

## Recessed Floor Box Covers

<b>Smooth Metallic Cover</b> Flange and Cable Doors for Carpet Applications	Cover Dimensions 10.30" x 10.30"	Aluminum Finish	<b>LCFBCALTC</b>	
		Brass Finish	<b>LCFBCBRSTC</b>	
		Black	<b>LCFBCBKTC</b>	
		Gray	<b>LCFBCGYTC</b>	
<b>Metallic Cover</b> Flange and Cable Doors for Carpet Applications – Carpet Insert Required	Cover Dimensions 10.30" x 10.30"	Aluminum Finish	<b>LCFBCALC</b>	
		Brass Finish	<b>LCFBCBRSC</b>	
		Black	<b>LCFBCBKC</b>	
		Gray	<b>LCFBCGYC</b>	
<b>Reinforced Non-Metallic Cover</b> Flange and Cable Doors for Carpet Applications – Carpet Insert Required	Cover Dimensions 10.30" x 10.30"	Black	<b>LCFBCBKA</b>	
		Brown	<b>LCFBCBRA</b>	
		Gray	<b>LCFBCGYA</b>	
		Ivory	<b>LCFBCIA</b>	
<b>Smooth Metallic Cover</b> and Cable Doors for Tile Applications	Cover Dimensions 8.31" x 7.70"	Aluminum Finish	<b>LCFBCALT</b>	
		Brass Finish	<b>LCFBCBRST</b>	
		Black	<b>LCFBCBKT</b>	
		Gray	<b>LCFBCGYT</b>	

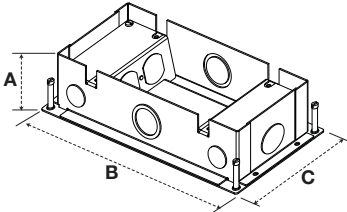


## Face Plates

Duplex	Decorator	Single Receptacle (1.56" Boss Dia.)	3-Unit iSTATION™ (See page B23 for module options)	Blank
<b>LCFBP8</b>	<b>LCFBP26</b>	<b>LCFBP720</b>	<b>LCFBIM</b>	<b>LCFBP14</b>

Floor Boxes, Recessed

# Floor Boxes, Recessed, 3-Service, Concrete

## 3-Service Floor Boxes

Dimensions Inches (mm)	Stamped Steel	Cast Iron
	 <b>3SFBS</b>	 <b>3SFBC</b>
Min. Depth of Pour	3.00" (76.2)	3.00" (76.2)
Adjustability	Fully	Fully
Cubic Inch (cm <sup>3</sup> ) Capacity Per Chamber	22.4 cu. in. (367.1 cm <sup>3</sup> )	21.6 cu. in. (354.0 cm <sup>3</sup> )
Dimensions – A	2.88" (73.2)	3.00" (76.2)
Dimensions – B	12.20" (309.9)	12.88" (327.2)
Dimensions – C	5.52" (140.2)	6.00" (152.4)
Threaded Access Holes	–	Sides (2) 3/4" Ends (1) 1 1/4" Center Area (1) 1 1/4" (each side)
Knockouts	Sides (2) 3/4" Ends (1) 1" Center Area (1) Concentric 1", 1 1/4" (each side)	–
Concrete Cover Included	✓	✓
Closure Plugs Included	–	✓

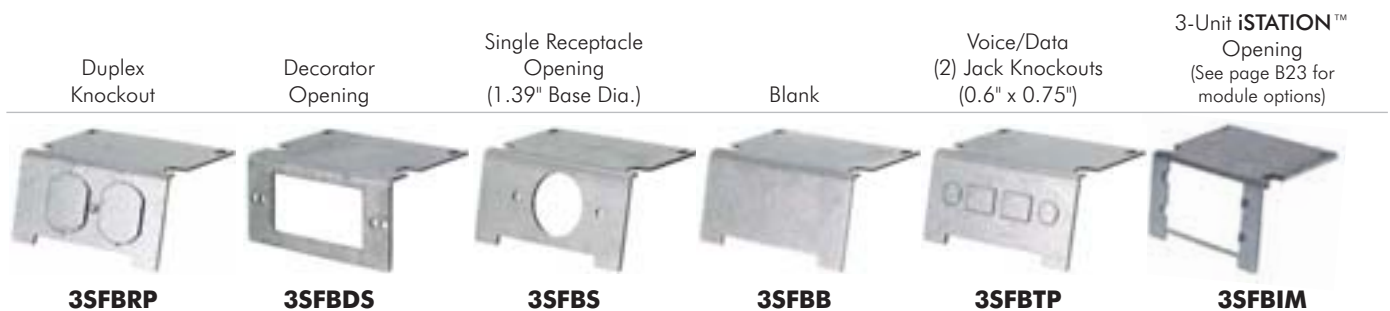
Notes: UL File Number E31999.  
CSA File Number LR18416.

## Recessed Floor Box Covers, Carpet Applications

Reinforced Non-Metallic Cover,  
Flange and Cable Doors -  
Carpet Insert Required -  
Dimensions  
11.88" x 5.20"



## Face Plates



# Raised Access Floor Boxes (Unloaded), and Face Plates

## Raised Access Floor Boxes

Dimensions Inches (mm)

Style	Metallic Cover			Non-Metallic Cover
	4-Gang Deep	4-Gang Shallow	8-Gang Deep	4-Gang Deep
				
Cover Color	Black Gray	Black Gray	Black Gray	Black Gray
Max. Floor Thickness	2.75" (69.9)	1.88" (47.8)	3.75" (95.3)	2.00" (50.8)
Cubic Inch (cm <sup>3</sup> ) Capacity Per Gang	29.5 cu. in. (483.4 cm <sup>3</sup> )	25.5 cu. in. (417.9 cm <sup>3</sup> )	49.5 cu. in. (811.2 cm <sup>3</sup> )	(2) 22.5 cu. in. (368.7 cm <sup>3</sup> ) (2) 20.5 cu. in. (335.9 cm <sup>3</sup> )
Dimensions – A	4.00" (101.6)	2.62" (66.5)	5.12" (130.0)	5.18" (131.6)
Dimensions – B	10.00" (254.0)	10.00" (254.0)	10.00" (254.0)	9.00" (228.6)
Dimensions – C	10.00" (254.0)	10.00" (254.0)	10.00" (254.0)	7.00" (177.8)
Cover Flange Dimensions	12.00" x 12.00"	12.00" x 12.00"	12.00" x 12.00"	10.62" x 8.62"
Knockouts – Sides	(1) 1/2", (2) 1/2" and 3/4", (4) 1 1/4" trade size	(1) 1/2", (6) 1/2" and 3/4" trade size	(1) 1/2", (2) 1/2" and 3/4", (4) 1 1/4" trade size	(4) 1/2" & 3/4", (4) 3/4" and 1" trade size
Knockouts – Bottom	(4) 3/4" and 1" trade size	(4) 3/4" and 1" trade size	(4) 3/4" and 1" trade size	(4) 3/4" and 1" trade size
Cover and Flange Included (Carpet or tile application)	✓	✓	✓	✓
Floor Tile Cut-Out	10.25" x 10.25"	10.25" x 10.25"	10.25" x 10.25"	9.00" x 7.00"

Notes: UL File Number E197203.  
CSA File Number LR702145.

## Replacement Metallic Cover and Flange

Description	Dimensions	Color	Catalog No.
Cover and Flange	12"W x 12"L	Gray	<b>HBLTCGNT</b>
Cover and Flange	12"W x 12"L	Black	<b>HBLTCGNTBK</b>



HBLTCGNT

## Replacement Non-Metallic Cover and Flange

Description	Dimensions	Color	Catalog No.
Cover and Flange	7"W x 9"L	Gray	<b>HBLAFB101TCGNT*</b>
Cover and Flange	7"W x 9"L	Black	<b>HBLAFB101TCBK*</b>











HBLAFB101TCGNT\*

**Notes:** For City of Chicago approved versions, use following part numbers: HBLAFB301BASEC, HBLAFB401BASEC and HBLAFB501BASEC. Cover must be ordered separately (i.e., HBLTCGNT and HBLTCGNTBK). These versions do not include knockouts and meet construction requirements for CCEA-2000.

AFB covers are reversible for both carpet recess and flush tile applications.

\* Insert for flush tile applications included. Remove insert for carpet recess.

## Hubbell Screw Type Face Plates\*

Duplex	Decorator	Toggle	Single Receptacle (1.56" Boss Dia.)	Single Receptacle (1.39" Boss Dia.)	Blank	Hubbell iSTATION™ (See page B23 for module options)	Hubbell 6-port
							
<b>HBLST302SGY</b>	<b>HBLDE301SGY</b>	<b>HBLTO310SGY</b>	<b>HBLTL318SGY</b>	<b>HBLTL319SGY</b>	<b>HBLBL300SGY</b>	<b>HBLIMFSGY</b>	<b>HBL317SGY</b>

Note: \* Catalog No. indicated is gray, replace "GY" with the following to designate color: "BK" for Black, "WA" for White, "I" for Ivory.

# Hubbell SystemOne Fire-Rated Poke-Throughs

## 4-Inch Core Hole

**ScrubShield™**  
Complies with UL514A



### Hubbell SystemOne Through-Floor Fittings



Step down installation clips allow the fitting to be installed or removed from the floor above.

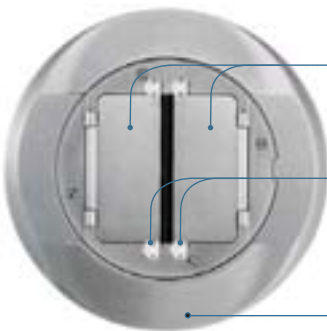
Fire barrier expands during fire conditions to maintain the floor's fire rating.

Adjustable lower fire barrier accommodates concrete floor thicknesses from 2¼ to 7 in.

Features E.M.T. conduit tubes for increased cable capacity.

- Accepts all Hubbell SystemOne covers and sub-plates.
- Excellent solution for both retrofit and new construction.
- Brings power, voice, data and multimedia precisely where needed.
- Installs in 4 inch core hole.
- UL listed for use in 1-4 hour fire rated floors.
- UL installation spacing. Minimum 2 ft. on center and not more than one per 65 sq. ft. of floor area.
- Approved for use in the City of Chicago.
- Available with integral power junction box.

### Hubbell SystemOne Universal Cover



Hinged doors open 180 degrees flush to the carpet flange or tile.

Screws allow each door to be secured independently.

Universal carpet or tile flange can be used for Hubbell SystemOne Fire-Rated Poke-Through as well as Hubbell SystemOne Floor Boxes.

- Cast aluminum construction available in durable black, gray, brass, aluminum and ivory powder coat finishes.
- Features ScrubShield™ technology that exceeds UL514C scrub water exclusion requirements.
- Provides consistent look and maximum functionality throughout the installed life.
- See the SystemOne Configuration Chart on page I26.

### Hubbell SystemOne Sub-Plates

While no one can predict the future, Hubbell's modular sub-plate design allows users to economically upgrade Hubbell SystemOne FRPT and Floor Boxes to accommodate future moves, adds and changes.



- Durable cast aluminum, powder coat construction.
- Hubbell 4x4: four 20A, 125V receptacles, four openings for voice/data jacks and multimedia connectors.
- Hubbell iSTATION™ front loading modular connectivity.
- Accommodates Extron® Electronics Architectural Series audio/video system integration products.
- Accommodates GFCI, surge and standard Decorator receptacles.
- Twist-Lock® receptacle with flush keystone jack openings.
- Large capacity and multi-service furniture feed applications.

# Hubbell SystemOne Fire-Rated Poke-Throughs

## 4-Inch Core Hole One-Piece Units

**ScrubShield**  
Complies with UL514A



DELIVERY

Hubbell SystemOne Fire-Rated Poke-Throughs

### Hubbell SystemOne FRPT - One-Piece Units

#### 4x4 Poke-Through, One-Piece

**Description**  
Assembled-unit includes Hubbell SystemOne 4X4 floor fitting (S1PT4X4FIT) with four pre-wired 20A, 125V receptacles and four keystone opening sub-plate (S1SP4X4) to accept Hubbell modular jacks and flush multimedia AV connectors. Receptacles feature single or two circuit wiring, as well as isolated ground capability. Finish flange and universal carpet cover (S1CFCxx) assembly are supplied in aluminum, brass, black or gray finishes.

Color	Catalog No.*
Aluminum Finish	<b>S1PT4X4AL</b>
Brass Finish	<b>S1PT4X4BRS</b>
Black	<b>S1PT4X4BL</b>
Gray	<b>S1PT4X4GY</b>



#### Dual Decorator Poke-Through, One-Piece

**Description**  
Assembled-unit includes a Hubbell SystemOne dual channel floor fitting (S1PTFIT) and two Decorator opening sub-plate (S1SP) to accept two Decorator or one surge or GFCI receptacle and one Decorator receptacle. Additionally, outlet frames can be used to convert the application to a 6-port multi-service or a 12-port all communication solution. Finish flange and universal carpet cover (S1CFCxx) assembly are supplied in aluminum, brass, black or gray finishes.

Color	Catalog No.*
Aluminum Finish	<b>S1PTAL</b>
Brass Finish	<b>S1PTBRS</b>
Black	<b>S1PTBL</b>
Gray	<b>S1PTGY</b>



#### Modular AV Poke-Through, One-Piece

**Description**  
Assembled-unit includes a Hubbell SystemOne AV floor fitting (S1PTAVFIT) and a Hubbell SystemOne sub-plate (S1SP3IM) to provide a 20A, 125V power outlet and a recessed 3-unit iSTATION™ opening. This comprehensive data/voice/audio/and video solution can accommodate 15-pin VGA, RCA, S-Video, 3.5mm stereo, and XLR microphone jacks. Finish flange and universal carpet cover (S1CFCxx) assembly are supplied in aluminum, brass, black or gray finishes.

Color	Catalog No.*
Aluminum Finish	<b>S1PT3IMAL</b>
Brass Finish	<b>S1PT3IMBRS</b>
Black	<b>S1PT3IMBL</b>
Gray	<b>S1PT3IMGY</b>



#### Furniture Feed Poke-Through, One-Piece

**Description**  
Assembled-unit includes a Hubbell SystemOne AV floor fitting (S1PTAVFIT) and a Hubbell SystemOne Furniture Feed Cover Plate (S1SPFFxx). This solution provides one 3/4" conduit opening for power and one 1 1/2" conduit opening for low-voltage. Available in aluminum, brass, black or gray finishes. Furnished with two screw-in flexible metal conduit connectors.

Color	Catalog No.*
Aluminum Finish	<b>S1PTFFAL</b>
Brass Finish	<b>S1PTFFBRS</b>
Black	<b>S1PTFFBL</b>
Gray	<b>S1PTFFGY</b>



\* For integral Power Junction Box, add "J" suffix to catalog number (Example: S1PT4X4ALJ).

Aluminum Finish

Brass Finish

Black

Gray



## Hubbell SystemOne FRPT 4-Inch Core Hole Three-Piece Units

**ScrubShield**  
Complies with UL514A



### Hubbell SystemOne FRPT - Three-Piece Units



#### 4x4 Through-Floor Fitting

Description	Catalog No.*
Through floor fitting with two 3/4" E.M.T. for communications and one 3/4" E.M.T. for power. For use with Hubbell SystemOne Universal Covers and S1SP4X4 and S1SPTL series sub-plates only. Universal cover and sub-plate ordered separately.	<b>S1PT4X4FIT</b>

#### Dual Channel Through-Floor Fitting

Description	Catalog No.*
Through floor fitting with two 1" E.M.T. trade size conduit stems to feed power and communication services. For use with Hubbell SystemOne universal covers and all Hubbell sub-plates except S1SP4X4 and S1SPTL series. Universal cover and sub-plate ordered separately.	<b>S1PTFIT</b>

#### AV Through-Floor Fitting

Description	Catalog No.*
Through floor fitting with one 3/4" E.M.T. trade size conduit stem for power and one 1 1/2" E.M.T. trade size conduit stem for communication services. Ideal for demanding, large capacity audio/video and data requirements. For use with Hubbell SystemOne universal covers and all Hubbell sub-plates except S1SP4X4 and S1SPTL series. Universal cover and sub-plate ordered separately.	<b>S1PTAVFIT</b>

\* For Integral Power Junction Box, add "J" suffix, (Example: S1PT4X4FITJ).

### Hubbell SystemOne Universal Covers Not required for furniture feed applications.

Universal cover assembly installs on the Hubbell SystemOne fire-rated poke-through floor fittings and accommodates all Hubbell SystemOne sub-plates for carpet and tile applications.

#### Carpet Assembly Covers

Aluminum Finish	Brass Finish	Black	Gray	Ivory
				
<b>S1CFCAL</b>	<b>S1CFCBR</b>	<b>S1CFCBL</b>	<b>S1CFCGY</b>	<b>S1CFICI</b>

#### Tile Assembly Covers

Aluminum Finish	Brass Finish	Black	Gray	Ivory
				
<b>S1TFCAL</b>	<b>S1TFCBR</b>	<b>S1TFCBL</b>	<b>S1TFCGY</b>	<b>S1TFICI</b>

### Hubbell SystemOne Fire-Rated Poke-Through Accessories



S1AP4BL



S1FRP4BL



S1FRPTJB

#### Abandonment Plate

Description	Color	Catalog No.
Use with Hubbell SystemOne 4-inch core hole Poke-Throughs to cover the opening when FRPT is abandoned. Cover, Flange and Sub-Plate are removed and through-floor fitting remains.	Gray	<b>S1AP4GY</b>
	Black	<b>S1AP4BL</b>

#### Fire-Rated Closure Plug

Description	Color	Catalog No.
This plug seals 4-inch core hole when FRPT is no longer required and the through-floor fitting is removed. Maintains the floor's 1-4 hour fire rating.	Gray	<b>S1FRP4GY</b>
	Black	<b>S1FRP4BL</b>

#### Power Junction Box

Description	Catalog No.
For use with SystemOne Fire-Rated Poke-Throughs. Provides 27.0 cubic inches. cULus Listed.	<b>S1FRPTJB</b>

## Hubbell SystemOne Sub-Plates

### Decorator/GFCI

(2) Decorator openings for power and/or datacom applications. Use with **S1PTFIT** (recommended) or **S1PTAVFIT**.



Catalog No.

**S1SP**

### Duplex/Duplex

(2) Duplex openings for power and/or datacom applications. Use with **S1PTFIT** (recommended) or **S1PTAVFIT**.



Catalog No.

**S1SPDU**

### Duplex/Decorator

(1) Duplex and (1) Decorator opening for power and/or datacom applications. Use with **S1PTFIT** (recommended) or **S1PTAVFIT**.



Catalog No.

**S1SPDUSL**

### Hubbell 4x4

(4) 20A, 125V receptacles. (4) Keystone openings for Hubbell jacks or flush AV connectors. Use with **S1PT4X4FIT** only.



Catalog No.

**S1SP4X4**

### Carpet Furniture Feed Cover

(1) 3/4" & (1) 1 1/2" N.P.T. plugs for power and/or datacom applications. Use with **S1PTAVFIT** (recommended) or **S1PTFIT**. Universal Cover not required. Includes carpet flange.



Color

Brass Finish

Aluminum Finish

Black

Gray

Catalog No.

**S1SPFFBRS**

**S1SPFFAL**

**S1SPFFBL**

**S1SPFFGY**

### Tile Furniture Feed Cover

(1) 3/4" & (1) 1 1/2" N.P.T. plugs for power and/or datacom applications. Use with **S1PTAVFIT** (recommended) or **S1PTFIT**. Universal Cover not required. Includes tile flange.



Color

Brass Finish

Aluminum Finish

Black

Gray

Catalog No.

**S1SPFFTBR**

**S1SPFFTAL**

**S1SPFFTBL**

**S1SPFFTGY**

### Single Receptacle + Data

20 or 30A Twist-Lock<sup>®</sup> receptacle (1.56" OD). (2) Keystone openings for Hubbell jacks or flush AV connectors. Use with **S1PT4X4FIT** only.



Catalog No.

**S1SPTL**

### Hubbell Datacom + Power

(1) 20A, 125V receptacle. 3-unit recessed iSTATION<sup>™</sup> opening for data, voice, and AV applications. Use with **S1PTAVFIT** (recommended) or **S1PTFIT**.



Catalog No.

**S1SP3IM**

### Hubbell Datacom + Duplex

(1) Duplex opening, (2) flush keystone openings and 1.5-unit recessed iSTATION<sup>™</sup> opening for data, voice and AV applications. Use with **S1PTAVFIT** (recommended) or **S1PTFIT**.



Catalog No.

**S1SPDU2IM**

### Hubbell Datacom + Decorator

(1) Decorator opening, (2) flush keystone openings and 1.5-unit recessed iSTATION<sup>™</sup> opening for data, voice and AV applications. Use with **S1PTAVFIT** (recommended) or **S1PTFIT**.



Catalog No.

**S1SPSL2IM**

### Hubbell Datacom

1-unit flush iSTATION<sup>™</sup> opening. 3-unit recessed iSTATION<sup>™</sup> opening for data, voice, and AV applications. Use with **S1PTAVFIT** (recommended) or **S1PTFIT**.



Catalog No.

**S1SP4IM**

### Active Multimedia + Power

Single 20A, 125V receptacle; (2) flush keystone openings; (1) rectangular Decorator opening to accommodate active multimedia modules.



Catalog No.

**S1SPAMM20**

### Extron<sup>®</sup> or FSR + Power

(1) 20A, 125V receptacle. Recessed opening for (3) single Extron<sup>®</sup> MAAP series adapter plates or FSR IPS Plates. Use with **S1PTAVFIT** (recommended) or **S1PTFIT**.



Catalog No.

**S1SPEXT1**

### Extron<sup>®</sup> or FSR + Power

(1) 20A, 125V receptacle. Recessed opening for (1) single Extron<sup>®</sup> MAAP and (2) single AAP series adapter plates or FSR IPS Plates. Use with **S1PTAVFIT** (recommended) or **S1PTFIT**.



Catalog No.

**S1SPEXT2**

### Extron<sup>®</sup> or FSR Single Service

Recessed opening for (2) single Extron<sup>®</sup> MAAP and (2) single AAP Series adapter plates or FSR IPS Plates. Use with **S1PTAVFIT** (recommended) or **S1PTFIT**.



Catalog No.

**S1SPEXT3**

### Extron<sup>®</sup> AAP + Power

(1) 20A, 125V receptacle. (2) flush Keystone openings and recessed opening for (2) single Extron<sup>®</sup> AAP series adapter plates. Use with **S1PTAVFIT** (recommended) or **S1PTFIT**.



Catalog No.

**S1SPEXT4**

\* Furnished with two screw-in flexible metal conduit connectors. Extron<sup>®</sup> is a registered trademark of Extron Electronics.

## Fire-Rated Poke-Throughs, 2x2 Flush 3-Inch Core Hole Units

**ScrubShield™**


Complies with UL514A

### Fire-Rated Poke-Throughs, 2x2 - One-Piece Units

#### 2x2 Aluminum Poke-Through

Complete assembled unit includes:

- **PT2X2FIT** through-floor fitting.
- Pre-wired 20A duplex Decorator receptacle & (2) Category 5e data jacks.
- Non-metallic cover.
- Painted aluminum flange.
- UL Listed and CSA Certified.
- Approved for use in the City of Chicago.

Color	Catalog No.
Black	<b>PT2X2BL</b>
Gray	<b>PT2X2GY</b>
Black	<b>PT2X2IGBL*</b>
Gray	<b>PT2X2IGGY*</b>

\* Includes pre-wired 20A isolated ground Duplex Decorator receptacle.



PT2X2GY

#### 2x2 Black/Brass Poke-Through

Complete assembled unit includes:

- **PT2X2FIT** through-floor fitting.
- Pre-wired 20A duplex Decorator receptacle & (2) Category 5e data jacks.
- Non-metallic cover.
- Solid Brass flange.
- UL Listed and CSA Certified.
- Approved for use in the City of Chicago.

Color	Catalog No.
Black/Brass	<b>PT2X2BRS3</b>
Brass Finish/Brass	<b>PT2X2BRS</b>
Black/Brass	<b>PT2X2IGBRS3*</b>
Brass Finish/Brass	<b>PT2X2IGBRS*</b>

\* Includes pre-wired 20A isolated ground Duplex Decorator receptacle.



PT2X2BRS3

### Fire-Rated Poke-Throughs, 2x2 Flush - Two-Piece Units

#### Multi-Channel Through-Floor Fitting

Complete assembled unit includes:

- UL Listed and CSA Certified.
- 1-4 hour fire rating (1-3 hour for steel floor units and concrete topping (D900 Series Design).
- For 2¼" to 7" floor thickness.
- Painted aluminum flange.
- UL installation spacing. Minimum 2 ft. on center and not more than one per 65 sq. ft. of floor area.
- Approved for use in the City of Chicago.

Through-Floor fitting with (1) ¾" E.M.T. stem with junction box for power and (2) ½" E.M.T. stems for low voltage.

Catalog No.	<b>PT2X2FIT</b>
-------------	-----------------



PT2X2FIT

### Service Fittings

#### 2x2 Service Fitting - Aluminum Flange

- Pre-wired 20A Duplex Decorator receptacle & (2) Category 5e data jacks.
- Non-metallic cover.
- Painted aluminum flange.
- UL Listed and CSA Certified.

Color	Catalog No.
Black	<b>PT2X2SFBL</b>
Gray	<b>PT2X2SFGY</b>



PT2X2SFBL

#### 2x2 Service Fitting - Brass Flange

- Pre-wired 20A Duplex Decorator receptacle & (2) Category 5e data jacks.
- Non-metallic cover.
- Solid Brass flange.
- UL Listed and CSA Certified.

Color	Catalog No.
Black/Brass	<b>PT2X2SFBR3</b>
Brass Finish/Brass	<b>PT2X2SFBR5</b>



PT2X2SFBR3

### Accessories

#### Non-Metallic Replacement Covers

Color	Catalog No.
Black	<b>PT2X2CBL</b>
Gray	<b>PT2X2CGY</b>
Brass Finish	<b>PT2X2CBRS</b>



PT2X2CBL

# Fire-Rated Poke-Throughs, Flush Duplex 3-Inch Core Hole Units

**ScrubShield**



Complies with UL514A

DELIVERY

Fire-Rated Poke-Throughs, Flush Duplex

## Fire-Rated Poke-Throughs, Flush Duplex - One-Piece Units

### Flush Aluminum Poke-Through

Complete assembled unit includes:

- **PT7FSD** through-floor fitting.
- Pre-wired 20A Duplex receptacle.
- Non-metallic flip-lid cover with (2) 1/2" diameter low voltage, feed through holes.
- Painted aluminum flange.
- UL Listed and CSA Certified.

Color	Catalog No.
Black	<b>PT7FSDBLA</b>
Gray	<b>PT7FSDGYA</b>
Ivory	<b>PT7FSDIA</b>
Brown	<b>PT7FSDBRA</b>
Gray	<b>PT7IGFSDGYA*</b>
Ivory	<b>PT7IGFSDIA*</b>

\* Includes pre-wired 20A isolated ground Duplex receptacle.



PT7FSDGYA

### Flush Brass Poke-Through

Complete assembled unit includes:

- **PT7FSD** through-floor fitting.
- Pre-wired 20A Duplex receptacle.
- All brass or black non-metallic cover option.
- Flip-lid cover with (2) 1/2" diameter low voltage feed through holes.
- Solid Brass flange.
- UL Listed and CSA Certified.

Color	Catalog No.
All Brass	<b>PT7FSDBR2A</b>
Black/Brass	<b>PT7FSDBR3A</b>
All Brass	<b>PT7IGFSDBRSA*</b>

\* Includes pre-wired 20A isolated ground Duplex receptacle.



PT7FSDBR2A

## Fire-Rated Poke-Throughs, Flush - Two-Piece Units

### Multi-Channel Through-Floor Fitting

Specifications:

- UL Listed and CSA Certified.
- 1-4 hour fire rating (1-3 hour for Steel floor units and concrete topping, D900 Series Design).
- For 2 1/4 to 7" floor thickness.
- UL installation spacing. Minimum 2 ft. on center and not more than 1 per 65 sq. ft. of floor area.

Through-Floor fitting with (1) 3/4" E.M.T. stem for power and (2) 1/2" low voltage feed through holes.

Description	Catalog No.
With Junction Box	<b>PT7FSD</b>
Without Junction Box	<b>PT73SD</b>



PT7FSD

## Service Fittings

### Flush Aluminum Service Fitting

- Pre-wired 20A Duplex receptacle.
- Non-metallic flip-lid cover with (2) 1/2" diameter low voltage feed-through holes.
- Painted aluminum flange.
- UL Listed and CSA Certified.

Color	Catalog No.
Black	<b>FRFBLA</b>
Gray	<b>FRFGYA</b>
Ivory	<b>FRFIA</b>
Brown	<b>FRFBRA</b>



FRFGYA

### Flush Brass Service Fitting

- Pre-wired 20A Duplex receptacle.
- Solid Brass flip-lid cover with (2) 1/2" diameter low voltage feed-through holes.
- Solid Brass flange.
- UL Listed and CSA Certified.

Material	Catalog No.
Solid Brass	<b>FRFBR2A</b>



FRFBR2A

## Accessories

### Non-Metallic Replacement Covers

Color	Catalog No.
Black	<b>PFBRCBLA</b>
Gray	<b>PFBRCGYA</b>
Ivory	<b>PFBRCIA</b>
Brown	<b>PFBRCBRA</b>



PFBRCGYA

### All Brass Replacement Cover

Material	Catalog No.
Solid Brass	<b>BRS2RCA</b>



BRS2RCA

## Fire-Rated Poke-Throughs, Flush Furniture Feed 3-Inch Core Hole Units

**ScrubShield**  
Complies with UL514A



### FRPT, Large Capacity, Low Voltage, Flush Furniture Feed - Two-Piece Units

#### Large Capacity, Low Voltage Through Floor Fitting

Through-floor fitting with (1) 2" E.M.T. stem. Will accommodate up to 36 Category 5e cables.

Specifications:

- UL Listed and CSA Certified.
- 1-2 hour fire rating.
- For 2¼" to 7" floor thickness.
- UL installation spacing. Minimum 2 ft. on center and not more than 1 per 65 sq. ft. of floor area.
- Approved for use in the City of Chicago.



Catalog No.

**PT2FIT**

#### Large Capacity, Cover/Flange

Specifications:

- UL Listed and CSA Certified.
- Cover/flange with 1¼" and 2" trade size combination knockout.
- Painted aluminum cover and flange.
- Approved for use in the City of Chicago.



FF2BK

Color

Brass Finish

Black

Gray

Catalog No.

**FF2BRS**

**FF2BK**

**FF2GY**

### FRPT, Flush Furniture Feed - One-Piece Units

#### 3-Service Furniture Feed Poke-Through

Complete assembled unit includes:

- PT73SD floor fitting.
- Aluminum cover with (2) ½" threaded hubs for low voltage and (1) ¾" threaded hub for power.
- Painted aluminum flange.
- UL Listed and CSA Certified.



PT73FFSDGY

Color

Black

Gray

Ivory

Catalog No.

**PT73FFSDBK**

**PT73FFSDGY**

**PT73FFSDI**

#### Single-Service Furniture Feed Poke-Through

Complete assembled unit includes:

- PT71SD floor fitting.
- Aluminum cover with (1) KO to accept a ¾" connector.
- Painted aluminum cover and flange.



PT7FFSDGY

Color

Gray

Ivory

Catalog No.

**PT7FFSDGY**

**PT7FFSDI**

### FRPT, Flush Furniture Feed - Two-Piece Units

#### 3-Service Furniture Feed, Through-Floor Fittings

Through-floor fitting with (1) ¾" E.M.T. stem for power and (2) ½" low voltage conduit holes.

Specifications:

- UL Listed and CSA Certified.
- 1-4 hour fire rating (1-3 hour for n Steel floor units and concrete topping, D900 Series Design).



PT73SD

Catalog No.

#### Single-Service Furniture Feed, Through-Floor Fittings

Through-floor fitting with (1) ¾" E.M.T. stem for power or low voltage applications.

Specifications:

- UL Listed and CSA Certified.
- UL installation spacing. Minimum 2 ft. on center and not more than 1 per 65 sq. ft. of floor area.



PT71SD

Catalog No.

### Service Fittings

#### Single-Service Furniture Feed Poke-Through

- Aluminum cover with (2) ½" threaded hubs for low voltage and (1) ¾" threaded hub for power.
- Painted aluminum flange.
- UL Listed and CSA Certified.



FRF3GY

Color

Black

Gray

Ivory

Catalog

**FRF3BK**

**FRF3GY**

**FRF3I**

#### Single-Service Furniture Feed Poke-Through

- Aluminum cover with (1) KO to accept a ¾" connector.
- Painted aluminum flange.
- UL Listed and CSA Certified.



FRF1GY

Color

Black

Gray

Brass Finish

Catalog

**FRF1BK**

**FRF1GY**

**FRF1BRS**

# Aluminum Service Poles - Specifications and Dimensional Information

## Aluminum Service Poles



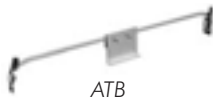
HBLPP10AI



HBLPP10IGA



HBLPP10SAI



ATB



PPTRIM1

Hubbell offers a line of gray, ivory and satin finish extruded aluminum service poles. These attractive and durable poles effectively distribute power and telecommunications wiring from above the ceiling to workstations below. They are offered in lengths of 10' 2", 12' 2", and 15' 2", and with a variety of electrical wiring devices. Poles with three service capability have a divider to separate power and low voltage wiring.

A blank pole is also offered which does not have devices or wiring. In addition to a standard pole, which has two 20 amp Duplex receptacles, an isolated ground version is available, as well as a surge suppression version. All poles, except the blank versions, are factory wired with Hubbell Decorator receptacles. Two Decorator knockouts are also provided on the same side as the power receptacles for communication outlets.

Service Pole Description	Catalog No. Gray	Catalog No. Ivory	Catalog No. Aluminum, Satin Finish
Three-service; two 20A/125V Decorator Duplex receptacles; one circuit.	Height: 10' 2" (3.10m) <b>HBLPP10A</b>	<b>HBLPP10AI</b>	<b>HBLPP10AAL</b>
	Height: 12' 2" (3.71m) <b>HBLPP12A</b>	<b>HBLPP12AI</b>	<b>HBLPP12AAL</b>
	Height: 15' 2" (4.62m) <b>HBLPP15A</b>	<b>HBLPP15AI</b>	<b>HBLPP15AAL</b>
Three-service; one orange isolated ground 20A/125V Decorator Duplex receptacle; one 20A/125V Decorator Duplex receptacle; two circuits.	Height: 10' 2" (3.10m) <b>HBLPP10IGA</b>	<b>HBLPP10IGAI</b>	-
Three-service; two orange isolated ground 20A/125V Decorator Duplex receptacles; one isolated ground surge suppression 20A/125V Duplex receptacle; one circuit.	Height: 10' 2" (3.10m) <b>HBLPP10SA</b>	<b>HBLPP10SAI</b>	-
Three-service; blank pole; divider; four Decorator device knockouts.	Height: 10' 2" (3.10m) <b>HBLPPOA</b>	<b>HBLPPOAI</b>	<b>HBLPPOAAL</b>
	Height: 12' 2" (3.71m) <b>HBLPPO12A</b>	<b>HBLPPO12AI</b>	<b>HBLPPO12AAL</b>
	Height: 15' 2" (4.62m) <b>HBLPPO15A</b>	<b>HBLPPO15AI</b>	<b>HBLPPO15AAL</b>

Accessories	Catalog No.
Adjustable T-bar assembly for mounting poles in middle of ceiling tile.	<b>ATB</b>
Replacement Service Pole Trim Kit (Ceiling White)	<b>PPTRIM1</b>

NOTE: Decorator plates/outlets, modular jacks, and data connectors are sold separately. See Section B for the complete line.

### Specifications

Material: Extruded aluminum; .05" thick (1.27mm)  
 Finish: gray, ivory or satin finish  
 Conductors: #12 AWG stranded copper

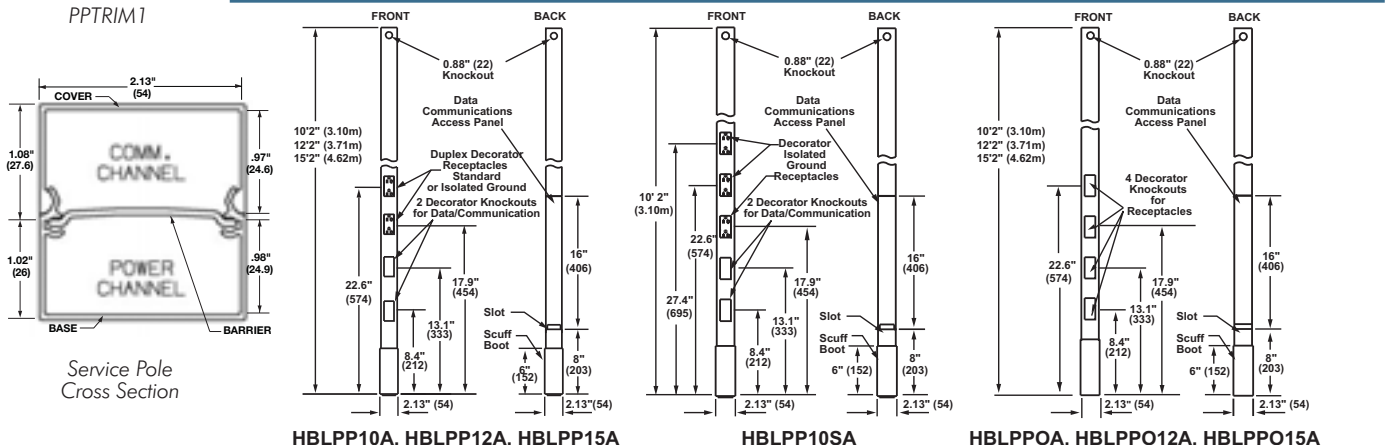
Receptacles: (see drawings below)  
 Listing: UL Listed

### Wiring Capacity (@40% fill)











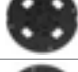















	Voice	Data Channel*	Cat. 5E	Cat. 6	Cat. 6A	Power Channel**
HBLPP10A; HBLPP12A; HBLPP15A; HBLPP10IGA	26	11	9			41
HBLPPOA; HBLPPO12A; HBLPPO15A (with barrier)	8	6	3			41

Notes: \* Pole wiring capacity (telephone fill): Cat. 5 UTP (2.30 sq. ft.).  
 \*\*#12 THHN stranded.

### Dimensions



# Hubbell SystemOne Configuration Chart

			Non-Metallic Floor Box	Metal Floor Boxes				4" Core Hole Fire-Rated Poke-Throughs		
										
Sub-Plates			S1PFB	S1CFB	S1SFB	S1SFBAV	S1PTFIT	S1PT4X4FIT	S1PTAVFIT	
<b>S1SP</b>	Decorator/GFCI		3	3.5	3.5	3.5	✓+ (Single-Service)	✗	✓ (Multi-Service)	
<b>S1SPDU</b>	Duplex/Duplex		3	3.5	3.5	3.5	✓+ (Single-Service)	✗	✓ (Multi-Service)	
<b>S1SPDUSL</b>	Duplex/Decorator		3	3.5	3.5	3.5	✓+ (Single-Service)	✗	✓ (Multi-Service)	
<b>S1SP4X4</b>	Hubbell 4x4		4	4	4	4	✗	✓+	✗	
<b>S1SPTL</b>	Twist-Lock® Receptacle + Data		4	4	4	4	✗	✓+	✗	
<b>S1SP3IM</b>	Hubbell Datacom + Power		5	5	5	5	✓	✗	✓+	
<b>S1SP4IM</b>	Hubbell Datacom		3.5	3.5	3.5	3.5	✓	✗	✓+	
<b>S1SPDU2IM</b>	Hubbell Datacom + Duplex		5	5	5	5	✓	✗	✓+	
<b>S1SPSL2IM</b>	Hubbell Datacom + Decorator		5	5	5	5	✓	✗	✓+	
<b>S1SPAMM20</b>	Active Multimedia + Power		5	5	5	5	✓	✗	✓+	
<b>S1SPFFxx</b> (Carpet)	Furniture Feed Cover/ Flange (replace "xx" with BRS (brass), AL (aluminum), BL (black) or GY (gray).)		3	3.5	3.5	3.5	✓	✗	✓+	
<b>S1SPFFTxx</b> (Tile)										
<b>S1SPEXT1</b>	Extron® MAAP or FSR IPS + Power		4	4	4	4	✓	✗	✓+	
<b>S1SPEXT2</b>	Extron AAP or FSR IPS + Power		4	4	4	4	✓	✗	✓+	
<b>S1SPEXT3</b>	Extron or FSR IPS Single-Service		4.5	4.5	4.5	4.5	✓	✗	✓+	
<b>S1SPEXT4</b>	Extron AAP + Flush Keystone + Power		4	4	4	4	✓	✗	✓+	
<b>S1FCxx</b> SystemOne Carpet Cover	All SystemOne Floor Boxes and FRPTs accept the SystemOne Carpet Cover			Signifies minimum depth of concrete pour in inches for Hubbell SystemOne Floor Boxes.				✓+ Recommended Floor Fitting	✓ Alternative Floor Fitting	✗ Not Compatible
<b>S1TFCxx</b> SystemOne Tile Cover	Universal Covers (replace "xx" with BRS (brass), AL (aluminum), BL (black), GY (gray) or I (ivory).									

Extron® is a registered trademark of Extron Electronics.

# One Solution

for so many in-floor applications:

Flush Floor Boxes



Everything Connects with SystemOne



Fire-Rated Poke Throughs



# SystemOne

from Hubbell



Flush Floor Boxes and Fire-Rated Poke Throughs offer a whole new level of performance and flexibility, thanks to **Hubbell SystemOne**. Now, one system covers so many in-floor installations.

**More Aesthetics** - Both floor boxes and poke-throughs use the same SystemOne Universal Cover, for a clean and consistent look.

**More Configuration Options** - With 18 sub-plates to choose from, SystemOne handles a wide variety of power, data or audio/video device configurations.

**More Flexibility** - If needs change, no problem. The SystemOne modular sub-plate design allows you to easily install a new device combination.

Get the one solution that can satisfy so many in-floor needs: Hubbell SystemOne. Because nobody delivers like Hubbell Commercial Solutions.



**WIRING SYSTEMS**  
Wiring Device-Kellems  
Premise Wiring