

## Features and Benefits:

- Durable die cast aluminum construction for long product life
- Powder paint finish for corrosive environments
- Plugs supplied as standard with 1/2" and 3/4" hubs are non-metallic, 1" hubs are zinc die cast
- Boxes supplied with mounting feet
- Tapered NPT hubs

## Materials and Finishes:

- Boxes: Die Cast Aluminum
- Self Closing Covers: Zinc Die Cast
- Toggle Switch Covers: Stamped Aluminum
- Blank Covers: Steel

## Certifications and Compliances:

- UL Standard UL514A
- UL Listed File No. E15022
- cUL Standard CSA-C22.2 No 18.1-04
- Suitable for wet locations

## SINGLE GANG – 18.0 CUBIC INCH CAPACITY – 2" DEEP CAST ALUMINUM – UL LISTED FOR WET LOCATIONS



TP7010 – TP7012



TP7026, TP7034



TP7042, TP7050



TP7058, TP7066

Cat. #	Description	Outlet Holes	Color	Unit Qty.	Wt. Lbs. Per 100
TP7010	With Lugs	3 – 1/2"	Gray	50	58.3
TP7011	With Lugs	3 – 1/2"	White	50	58.3
TP7012	With Lugs	3 – 1/2"	Bronze	50	58.3
TP7018	With Lugs	3 – 3/4"	Gray	50	58.3
TP7026	With Lugs	4 – 1/2"	Gray	50	58.3
TP7034	With Lugs	4 – 3/4"	Gray	50	58.3
TP7042	With Lugs	5 – 1/2"	Gray	50	58.3
TP7050	With Lugs	5 – 3/4"	Gray	50	58.3
TP7058	Side Entry, With Lugs	5 – 1/2"	Gray	50	58.3
TP7066	Side Entry, With Lugs	5 – 3/4"	Gray	50	58.3

## SINGLE GANG – 24.0 CUBIC INCH CAPACITY – 2 5/8" DEEP CAST ALUMINUM – UL LISTED FOR WET LOCATIONS



TP7074, TP7078, TP7082

Cat. #	Description	Outlet Holes	Color	Unit Qty.	Wt. Lbs. Per 100
TP7074	With Lugs	3 – 1/2"	Gray	25	80
TP7078	With Lugs	3 – 3/4"	Gray	25	80
TP7082	With Lugs	3 – 1"	Gray	25	80

# Weatherproof Outlet Boxes



## TWO GANG – 30.5 CUBIC INCH CAPACITY

2" DEEP, ALL TWO GANG BOXES HAVE 2 MOUNTING LUGS AS STANDARD  
CAST ALUMINUM – UL LISTED FOR WET LOCATIONS

Weatherproof



TP7086 – TP7090



TP7094, TP7098



TP7102, TP7106



TP7110, TP7114



TP7118, TP7122

Cat. #	Description	Unit Qty.	Color	Wt. Lbs. Per 100
TP7086	3 – 1/2" Holes	10	Gray	83.3
TP7087	3 – 1/2" Holes	10	White	83.3
TP7088	3 – 1/2" Holes	10	Bronze	83.3
TP7090	3 – 3/4" Holes	10	Gray	83.3
TP7094	4 – 1/2" Holes	10	Gray	83.3
TP7098	4 – 3/4" Holes	10	Gray	83.3
TP7102	5 – 1/2" Holes	10	Gray	83.3
TP7106	5 – 3/4" Holes	10	Gray	83.3
TP7110	7 – 1/2" Holes	10	Gray	83.3
TP7114	7 – 3/4" Holes	10	Gray	83.3
TP7118	5 – 1/2" Holes	10	Gray	83.3
TP7122	5 – 3/4" Holes	10	Gray	83.3

## TWO AND THREE GANG DEEP

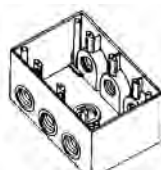
2 5/8" DEEP, ALL BOXES ARE STANDARD WITH MOUNTING LUGS  
CAST ALUMINUM – UL LISTED FOR WET LOCATIONS



TP7126, TP7130, TP7134



TP7137, TP7138, TP7142



TP7143, TP7144

Cat. #	Description	Color	Unit Qty.	Capacity Cu. In.	Wt. Lbs. Per 100
<b>TWO GANG DEEP WEATHERPROOF OUTLET BOXES</b>					
TP7126	5 – 1/2" Holes	Gray	6	37	140
TP7130	5 – 3/4" Holes	Gray	6	37	140
TP7134	5 – 1" Holes	Gray	6	37	140
TP7137	7 – 1/2" Holes	Gray	6	37	140
TP7138	7 – 3/4" Holes	Gray	6	37	140
TP7142	7 – 1" Holes	Gray	6	37	140
<b>THREE GANG DEEP WEATHERPROOF OUTLET BOXES</b>					
TP7143	7 – 3/4" Holes	Gray	5	59	159
TP7144	7 – 1" Holes	Gray	5	59	159

## Dimensions

In Inches:

Single Gang Boxes	Single Gang Deep Boxes	Two Gang Boxes	Two Gang Deep Boxes
<p>TP7010 - TP7071</p>	<p>TP7074 - TP7082</p>	<p>TP7086 - TP7122</p>	<p>TP7126 - TP7142</p>

Weatherproof

## ONE & TWO GANG WEATHERPROOF EXTENSIONS

1" DEEP, DIE-CAST ALUMINUM EXTENSION RING  
GASKET AND MOUNTING SCREWS INCLUDED WITH COVER  
UL LISTED FOR WET LOCATIONS



TP7120



TP7123

Cat. #	Description	Color	Unit Qty.	Capacity Cu. In.	Wt. Lbs. Per 100
TP7120	Single Gang	Gray	25	9	27.2
TP7123	Two Gang	Gray	10	10	27.2

## EXTENSION ADAPTER

DIE-CAST ALUMINUM, UL LISTED FOR WET LOCATIONS 3 CLOSURE PLUGS,  
MOUNTING SCREW AND GASKET INCLUDED WITH COVER



Cat. #	Description	Color	Unit Qty.	Capacity Cu. In.	Wt. Lbs. Per 100
TP7173	4 - 1/2" Holes	Gray	25	13.0	23.6
TP7174	4 - 3/4" Holes	Gray	25	13.0	27.8

# Weatherproof Outlet Boxes



## 4" ROUND – 15.5 CUBIC INCH CAPACITY

1½" DEEP, DIE-CAST ALUMINUM, UL LISTED FOR WET LOCATIONS  
 4 CLOSURE PLUGS AND GROUND SCREW INCLUDED WITH BOX  
 GASKET AND 2 MOUNTING SCREWS INCLUDED WITH COVER

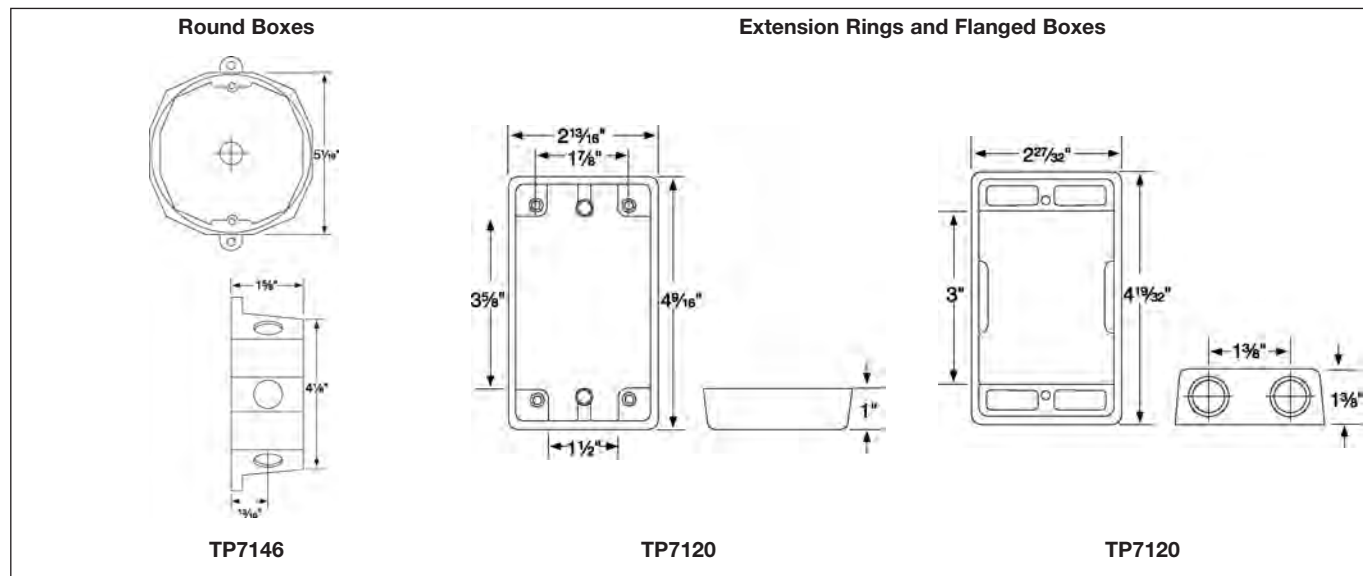
Weatherproof



Cat. #	Side Holes	Back Hole	Unit Qty.	Color	Wt. Lbs. Per 100
TP7146	4 – ½"	½"	25	Gray	79.2
TP7148	4 – ½"	½"	25	White	79.2
TP7149	4 – ½"	½"	25	Bronze	79.2
TP7150	4 – ¾"	¾"	25	Gray	79.2
TP7158	Blank Cover Plate		50	Gray	20.8
<b>WITH BLANK PLATE</b>					
TP7147	4 – ½"	½"	24	Gray	100
TP7151	4 – ¾"	¾"	24	Gray	100
<b>2" DEEP ROUND WEATHERPROOF OUTLET BOX EXTENSION (18.3 CUBIC INCH CAPACITY)</b>					
TP7152	4 – ½"	—	25	Gray	58.3

## Dimensions

In Inches:



## CLOSURE PLUGS – ZINC DIE-CAST\*

Cat. #	Description	Color	Unit Qty.	Wt. Lbs. Per 100
TP7940	1/2"	Gray	100	1.5
TP7942	1/2"	Bronze	100	1.5
TP7944	3/4"	Gray	50	2.1
TP7948	1"	Gray	50	3

\*CSA certified



## ONE GANG

### SELF-CLOSING COVERS WITH GASKETS UL LISTED, DIE-CAST ALUMINUM



TP7199



TP7202



TP7206 – TP7209



TP7218



TP7236 - TP7238



TP7240 - TP7242



TP7244



TP7232

Cat. #	Description	Color	Unit Qty.	Wt. Lbs. Per 100
TP7199	One Gang Vertical Duplex Cover	Gray	50	61.1
TP7202	One Gang – For Single Receptacle or Switch – 1.52" Dia. Opening	Gray	25	42.0
TP7206	One Gang – For Duplex Receptacle or Combination Switch	Natural	50	38.0
TP7207	One Gang – For Duplex Receptacle or Combination Switch	Gray	50	38.0
TP7208	One Gang – For Duplex Receptacle or Combination Switch	White	50	38.0
TP7209	One Gang – For Duplex Receptacle or Combination Switch	Bronze	50	38.0
TP7214	One Gang Vertical – For Single Receptacle or Switch 1.62" Dia. Opening	Gray	25	61.1
TP7218	One Gang – For 20, 30 and 50 A Receptacles (2.125" Dia.)	Gray	25	55.6
TP7232	One Gang Stay Open – For Duplex Receptacles, Switches or Combination Devices, Non UL Listed	Natural	50	38.0
TP7233	One Gang Stay Open – For Duplex Receptacles, Switches or Combination Devices, Non UL Listed	Gray	50	38.0
TP7236	One Gang – For Horizontal GFI Devices	Gray	25	42
TP7237	One Gang – For Horizontal GFI Devices	White	25	42
TP7238	One Gang – For Horizontal GFI Devices	Bronze	25	42
TP7240	One Gang – For Vertical GFI Devices	Gray	25	54
TP7241	One Gang – For Vertical GFI Devices	White	25	54
TP7242	One Gang – For Vertical GFI Devices	Bronze	25	54

Weatherproof

## TWO GANG

SELF-CLOSING GFI COVERS WITH GASKETS  
UL LISTED, DIE-CAST ALUMINUM

Weatherproof



TP7220



TP7224



TP7228



TP7248



TP7252

Cat. #	Description	Color	Unit Qty.	Wt. Lbs. Per 100
TP7220	Two Gang – For Two Single Receptacles and/or Switches	Gray	10	66.7
TP7224	Two Gang – For One Single Receptacle or Switch and One Duplex Receptacle, Switch or Combination Device	Gray	10	62.0
TP7228	Two Gang – For Two Duplex Receptacles, Switches or Combination Device	Gray	10	61.1
TP7244	Two Gang – For Vertical GFI Devices and One Single Switch or Receptacle	Gray	10	61.1
TP7248	Two Gang – For One Vertical GFI Device and One Duplex Receptacle, Switch or Combination Device	Gray	10	61.1
TP7252	Two Gang – For Two GFI Devices	Gray	10	55.6

## ONE & TWO GANG

TOGGLE SWITCH COVERS  
WITH GASKETS STAMPED ALUMINUM  
UL LISTED



TP7260  
5/8" Thick



TP7268

Cat. #	Description	Unit Qty.	Wt. Lbs. Per 100
TP7260	One Gang With 15A 125V Single Pole Switch	50	27.8
TP7268	Two Gang	10	16.7
TP7272	Two Gang With 2 – 15A 125V Single Pole Switch	10	33.3
TP7276	Two Gang With 2 – 15A 125V 3-Way Switch	10	33.3
TP7280	One Gang Extended Switch Cover – (for use with Standard Switch)	50	34.1

## WHILE-IN-USE COVERS

### FOR ONE & TWO GANG BOXES "CONSTANT USE" DUPLEX/GFI COVER UL & CSA LISTED, POLYCARBONATE

Single gang covers have a patented design with moveable hinges that reposition easily for vertical or horizontal mounting, with no tools required.



Cooper Crouse-Hinds' new while-in-use covers offer a rugged versatile design that protects against various elements such as rain, snow, and ice. They are available in gray and white, single gang, single gang deep, and double gang to offer 98 different configurations! The single gang covers have a patented design with moveable hinges that reposition easily for vertical or horizontal mounting, with no tools required. They are great for use with vending machines, holiday lighting, portable signs, outdoor lighting, outdoor hot tubs, and more!

### Features:

- Rugged UV resistant polycarbonate cover and back protects device inside from rain, sleet, and snow without cracking or breaking and is non-corrosive and non-conductive
- Covers have a versatile product design with moveable hinges that reposition for vertical/horizontal mounting, which reduces the number of SKUs
- Each cover includes a pre-mounted neoprene gasket on the back, ensuring the gasket cannot fall off or be improperly positioned during installation - assuring a weatherproof installation every time!
- Available in 1 Gang, Self-closing Cover, Standard (3.25") and Deep (4.75") depths
- Available in 2 Gang, Self-closing Cover, Standard (3.25") depth
- Meets and exceeds outdoor lighting requirements
- Lockable cover (with customer added locking device) adds security
- Available in both gray and white to meet customer preference

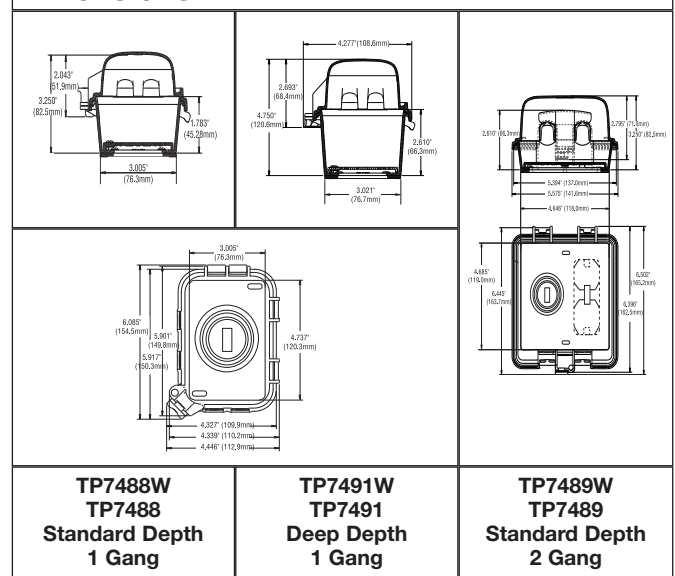
### Certifications and Compliances:

- UL and cUL Listed
- Meets NEMA 3R requirements

### Standard Materials:

- Cover, Back, and Hinges: Polycarbonate
- Gasket: Neoprene

### Dimensions



### Ordering Information

Catalog No.	Description	# of Configurations using inserts & moveable hinges	Color	Unit Qty.	Wt. Lbs. Per 100
TP7488	1 Gang, 3.25" Standard Depth, Self-closing Cover, Horizontal/Vertical Mount	16	Gray	6	45
TP7491	1 Gang, 4.75" Deep Depth, Self-closing Cover, Horizontal/Vertical Mount	16	Gray	3	48
TP7489	2 Gang, 3.25" Standard Depth, Self-closing Cover, Vertical Mount	66	Gray	4	77
TP7488W	1 Gang, 3.25" Standard Depth, Self-closing Cover, Horizontal/Vertical Mount	16	White	6	45
TP7491W	1 Gang, 4.75" Deep Depth, Self-closing Cover, Horizontal/Vertical Mount	16	White	3	48
TP7489W	2 Gang, 3.25" Standard Depth, Self-closing Cover, Vertical Mount	66	White	4	77

Weatherproof

# Weatherproof Outlet Covers



## BLANK STEEL

WITH GASKETS  
UL LISTED FOR WET LOCATIONS

Weatherproof



TP7292 – TP7294



TP7296 – TP7298



TP7295



TP7158 – 7160

Cat. #	Description	Color	Unit Qty.	Wt. Lbs. Per 100
TP7292	One Gang	Gray	100	8.3
TP7293	One Gang	White	100	8.3
TP7294	One Gang	Bronze	100	8.3
TP7296	Two Gang	Gray	50	12.5
TP7297	Two Gang	White	50	12.5
TP7298	Two Gang	Bronze	50	12.5
TP7295	Three Gang	Gray	25	17
TP7158	Blank Round	Gray	50	21
TP7159	Blank Round	White	50	21
TP7160	Blank Round	Bronze	50	21

## ROUND AND RECTANGULAR

WITH GASKETS, DIE-CAST ALUMINUM, UL LISTED FOR WET LOCATIONS  
FOR USE WITH WEATHERPROOF LAMPHOLDERS



TP7300 – 7302



TP7308 – 7310



TP7312 – 7314



TP7320 – 7322

Cat. #	Description	No. of Outlet Holes	Color	Unit Qty.	Wt. Lbs. Per 100
TP7300	4½" Round	1 - ½"	Gray	25	20.8
TP7301	4½" Round	1 - ½"	White	25	20.8
TP7302	4½" Round	1 - ½"	Bronze	25	20.8
TP7308*	4½" Round	3 - ½"	Gray	25	33.3
TP7309*	4½" Round	3 - ½"	White	25	33.3
TP7310*	4½" Round	3 - ½"	Bronze	25	33.3
TP7312	Rectangular	1 - ½"	Gray	25	33.3
TP7313	Rectangular	1 - ½"	White	25	33.3
TP7314	Rectangular	1 - ½"	Bronze	25	33.3
TP7316	Rectangular	2 - ½"	Gray	25	33.3
TP7317	Rectangular	2 - ½"	White	25	33.3
TP7318	Rectangular	2 - ½"	Bronze	25	33.3
TP7320	Rectangular	3 - ½"	Gray	25	33.3
TP7321	Rectangular	3 - ½"	White	25	33.3
TP7322	Rectangular	3 - ½"	Bronze	25	33.3

\*Comes with closure plug

## LAMPHOLDERS AND ACCESSORIES

DIE-CAST ALUMINUM CONSTRUCTION, UP TO 150 WATTS, WITH LAMP GASKET, UL LISTED



TP7162 – TP7165



TP7166



TP7176

Weatherproof

Cat. #	Description	Color	Unit Qty.	Wt. Lbs. Per 100
TP7162	Universal Par Lampholder	Natural	36	47.2
TP7163	Universal Par Lampholder	Gray	36	47.2
TP7164	Universal Par Lampholder	White	36	47.2
TP7165	Universal Par Lampholder	Bronze	36	47.2
TP7166	Universal Par Lampholder With External Gasket	Gray	36	50
TP7170	External Gasket Only	—	100	3
TP7176	Clamp-On Guard	—	24	50

## WEATHERPROOF LAMPHOLDERS AND ACCESSORIES

DIE-CAST ALUMINUM CONSTRUCTION, UP TO 150 WATTS, WITH LAMP GASKET, UL LISTED



TP7178



TP7186



TP7188  
(Aluminum)

Cat. #	Description	Color	Unit Qty.	Wt. Lbs. Per 100
TP7178	Par Lampholder With Reflector	Gray	6	166.7
TP7186	Portable Par Lampholder With 6' Cord	Gray	12	100
TP7188	2 1/2" Outside Diameter Pole Fitter with 1/2" Male Thread	Gray	24	50

## LAMPHOLDER COMBINATIONS

DIE-CAST ALUMINUM CONSTRUCTION, WITH GASKETS, UL LISTED



TP7330 – TP7332

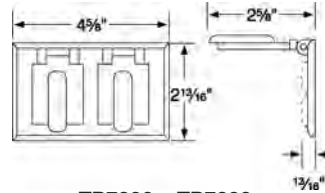
Cat. #	Description	Color	Unit Qty.	Wt. Lbs. Per 100
TP7330	2 Par Lampholders and 3-Hole Round Cover	Gray	10	137.5
TP7331	2 Par Lampholders and 3-Hole Round Cover	White	10	137.5
TP7332	2 Par Lampholders and 3-Hole Round Cover	Bronze	10	137.5

## Dimensions

In Inches:

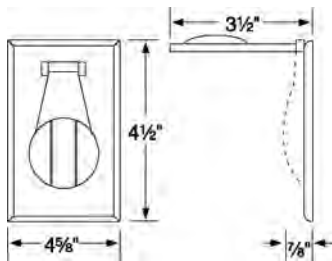
Weatherproof

Single Gang, Duplex Receptacle Covers



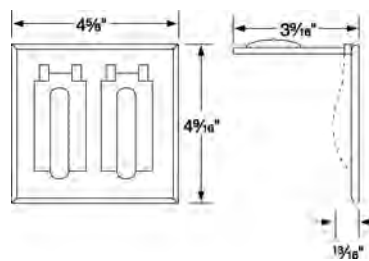
TP7206 - TP7209

Single Gang, Single Receptacle Covers - Vertical Mount



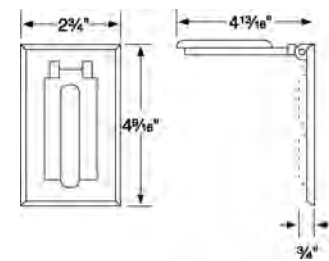
TP7202

Two Gang, Single Receptacle Covers



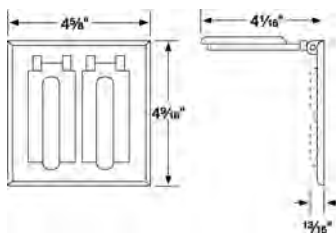
TP7220

Single Gang, Duplex Receptacle Covers - Vertical Mount



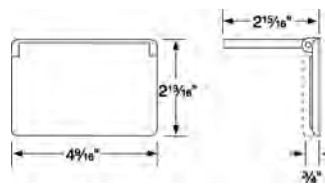
TP7199

Two Gang, Duplex Receptacle Covers



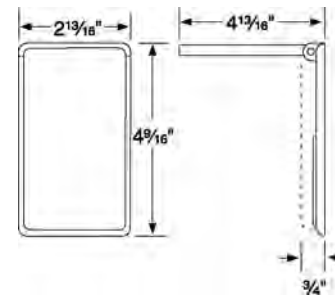
TP7228

Single Gang, GFCI Covers Horizontal Mount



TP7236 - TP7238

Single Gang, GFCI Covers Vertical Mount



TP7240 - TP7242

# Weatherproof Outlet Covers



## Dimensions In Inches:

Lampholders

<p><b>Two Gang, GFCI Covers</b></p> <p>TP7248</p>	<p><b>Blank Covers</b></p> <p>TP7292 - TP7294</p>	<p><b>Blank Covers</b></p> <p>TP7296 - TP7298</p>
---	---	---

<p><b>Blank Covers</b></p> <p>TP7158</p>	<p><b>Single Gang, Switch Covers Vertical Mount</b></p> <p>TP7256</p>	<p><b>Lampholders</b></p> <p>TP7162 - TP7165</p>
--	---	--

<p><b>Hooded Lampholder</b></p> <p>TP7178</p>	<p><b>Rectangular Lampholder Covers</b></p> <p>TP7312 - TP7322</p>	<p><b>Round Lampholder Covers</b></p> <p>TP7300 - TP7310</p>
---	--	--

## Flexible Fixture Hangers

Cooper Crouse-Hinds TPSFH & TPRFH flexible fixture hangers are used in commercial or light industrial applications where HID high bay and low bay lighting fixtures are used. Specific applications include storage facilities, shipping warehouses, retail and DIY facilities.

### Features and Benefits:

- Suitable for use with 1/2" or 3/4" fixture conduit stems these hangers allow the conduit stem of the fixture (luminaire) to swing in any direction. Maximum swing angle is 26° from vertical max slope angles 22 1/2°
- Available in two styles; one for attachment to round or octagonal steel boxes, the other for attachment to 4" square steel boxes.
- Both styles are quickly and easily attached by two screws.
- Hangers are drilled and tapped for use with 3/4" conduit stem as standard and come supplied with a 3/4" - 1/2" reducer for 1/2" conduit stem applications.

### Certifications and Compliances:

- UL Listed – UL 1598
- CSA C22.2 No. 250
- Suitable for Damp Locations

### Materials and Finishes:

- Material: Sheet Steel
- Finish: Zinc Chromate for corrosion resistance

## Swiv-L-Drop™ Canopy Fixture Hangers

The Swiv-L-Drop Canopy hanger utilizes a patented spring design to provide vibration and shock protection for pendant mounted fixtures in both horizontal and vertical directions. Designed to fit 3" or 4" outlet boxes the Swiv-L-Drop is for use with 1/2" fixture conduit stems. The smooth, white canopy provides an aesthetically pleasing appearance and installs quickly and easily without the use of tools.

### Certifications and Compliances:

- UL Listed – UL 1598
- Suitable for Dry Locations

### Materials and Finishes:

- Material: Sheet Steel
- Finish: Canopy – painted white

## Sway Adapters

The Sway Adapter installs quickly and easily to pendant mounted fixtures and compensates for shocks and motion due to movements, vibration, earthquakes or other sources by allowing for lateral movement up to 45 degrees. The Sway Adapter can be used independently or in conjunction with the Swiv-L-Drop hanger. The Sway Adapter is also finished in an aesthetically pleasing white painted finish and is designed for use with 1/2" conduit stems and has 3/8" male threads.

### Certifications and Compliances:

- UL Listed – UL 1598
- Suitable for Dry Locations

### Materials and Finishes:

- Material: Sheet Steel
- Finish: sway adapter – painted white



Description	Support Wt. (lbs)	Cat. #
For use with 4" Round or Octagon Boxes	50	TPRFH12
For use with 4" Square boxes	50	TPSFH12



Description	Support Wt. (lbs)	Cat. #
Swiv-L-Drop Canopy Hanger for use with 3" or 4" Outlet boxes for use with 1/2" Conduit Stems. Painted.	50*	S 1 1/2 PAINTED
Swiv-L-Drop Canopy Hanger for use with 3" or 4" Outlet boxes for use with 1/2" Conduit Stems. Unpainted.	50*	S 1 1/2 UNPAINTED
For use with 3/8" Conduit Stems. Painted.	50*	S 1 3/8 PAINTED
For use with 3/8" Conduit Stems. Unpainted.	50*	S 1 3/8 UNPAINTED

\*65 lbs. rated with a minimum 12-inch stem if fully supported by other than an outlet box.



Description	Cat. #
Sway adapter for use with 1/2" Conduit Stem (male thread is 3/8")	SA 1W

## Key Features and Benefits:

- Durable die cast housing and guard for long product life
- Powder paint finish for corrosive environments
- Available in pendant, box and wall mounts
- Fixtures may be purchased complete or as components
- Fixtures constructed of Die-Cast Aluminum, Screw on Guards are Zinc Die-Cast
- Heat Resistant Clear Globe Available on 100 watt series
- Wire Guard Available

## Certifications and Compliances:

- UL Standard UL1598
- UL Listed File No. E15625
- cUL Standard CSA-C22.2 No 250.0
- Suitable for Wet Locations
- 100W max incandescent series is UL approved for 27W max SBCFL (equivalent to 100W incandescent)
- 200W max incandescent series is UL approved for 42W max SBCFL (equivalent to 200W incandescent)

Clear glass is standard, colors are available, plastic (polycarbonate) globes which are virtually unbreakable are available in colors and are used as an alternative to glass globe-guard combinations (not recommended to exceed 60 watts).

Vapor Proof

## VAPOR PROOF FIXTURES – GASKETED CORROSION RESISTANT

DIE-CAST CONSTRUCTION, GLASS GLOBES, DIE-CAST GUARDS, UL LISTED



TP7600,  
TP7601,

TP7800,  
TP7801,  
TP7860

TP7610,  
TP7611,  
TP7805

TP7620,  
TP7621

TP7810,  
TP7811

TP7630,  
TP7815

TP7640

TP7820

TP7650,  
TP7825

Cat. #	Description	Hole Size	Watts	Std. Unit Carton	Wt. Lbs. Per 100
<b>4" BOX MOUNTED</b>					
TP7600*	Clear Globe, Cast Guard	1/2"	100	1	325
TP7601	Clear Globe, Cast Guard	3/4"	100	1	324
TP7800	Clear Globe, Wire Guard	1/2"	200	1	516.7
TP7801	Clear Globe, Wire Guard	3/4"	200	1	516
TP7860	Fluorescent Clear Globe, Wire Guard	1/2"	13	1	413
TP7610	Clear Globe	1/2"	100	1	258.3
TP7611	Clear Globe	3/4"	100	1	258
TP7805	Clear Globe	1/2"	200	1	283.3
<b>PENDANT MOUNT</b>					
TP7620	Clear Globe, Cast Guard	1/2"	100	1	300
TP7621	Clear Globe, Cast Guard	3/4"	100	1	299
TP7810	Clear Globe, Wire Guard	1/2"	200	1	350
TP7811	Clear Globe, Wire Guard	3/4"	200	1	349
TP7630	Clear Globe	1/2"	100	1	208.4
TP7815	Clear Globe	1/2"	200	1	258.4
<b>SURFACE MOUNT, FITS 3" and 4" ROUND BOXES</b>					
TP7640	Clear Globe, Cast Guard	—	100	1	275
TP7820	Clear Globe, Wire Guard	—	200	1	333.3
TP7650	Clear Globe	—	100	1	216.7
TP7825	Clear Globe	—	200	1	180

\*Suitable for base-up applications

# Vapor Proof Lighting Incandescent



Vapor Proof



TP7670, TP7835



TP7825

Cat. #	Description	Watts	Std. Unit Carton	Wt. Lbs. Per 100
<b>RIGHT ANGLE BRACKET FIXTURES</b>				
TP7660	Clear Globe, Cast Guard	100	1	300
TP7830	Clear Globe, Wire Guard	200	1	516.7
TP7670	Clear Globe	100	1	200
TP7835	Clear Globe	200	1	400
<b>BOX MOUNTED</b>				
TP7680	Clear Globe, Cast Guard	100	1	350
TP7840	Clear Globe, Wire Guard	200	1	560
TP7825	Clear Globe	200	1	450
<b>FLUORESCENT</b>				
TP7870	Clear Globe, Wire Guard	13	1	462

## VAPOR PROOF COMPONENTS



Pendant



Ceiling Box Cap



Ceiling Box



Right Angle



Right Angle/Box

Cat. #	Description	Watts	Std. Unit Carton	Wt. Lbs. Per 100
<b>PENDANT CAP, PORCELAIN SOCKET GASKET AND SCREWS</b>				
TP7496	Gray, 1/2"	100	10	18
TP7497	Gray, 3/4"	100	10	18
TP7498	Gray, 1/2"	200	10	10
TP7499	Gray, 3/4"	200	10	10
<b>CEILING BOX CAP, SOCKET GASKET AND SCREWS</b>				
TP7447	Gray	100	10	12
TP7479	Gray	200	10	12
<b>CEILING MOUNT BOX WITH GASKETS, PORCELAIN SOCKET AND SCREWS</b>				
TP7450	Gray, 1/2"	100	10	19
TP7478	Gray, 3/4"	100	10	19
TP7451	Gray, 1/2"	200	10	19
TP7479	Gray, 3/4"	200	10	19
<b>RIGHT ANGLE BRACKET GASKET, SOCKET, SCREWS</b>				
TP7445	Gray	100	10	21
TP7446	Gray	200	6	12
<b>RIGHT ANGLE BRACKET ATTACHED BOX, GASKET, SOCKET AND SCREWS</b>				
TP7440	Gray, 1/2"	100	1	3

## VAPOR PROOF FIXTURE ACCESSORIES



TP7460 - TP7466



TP7468 - TP7472



TP7474, TP7475



TP7476



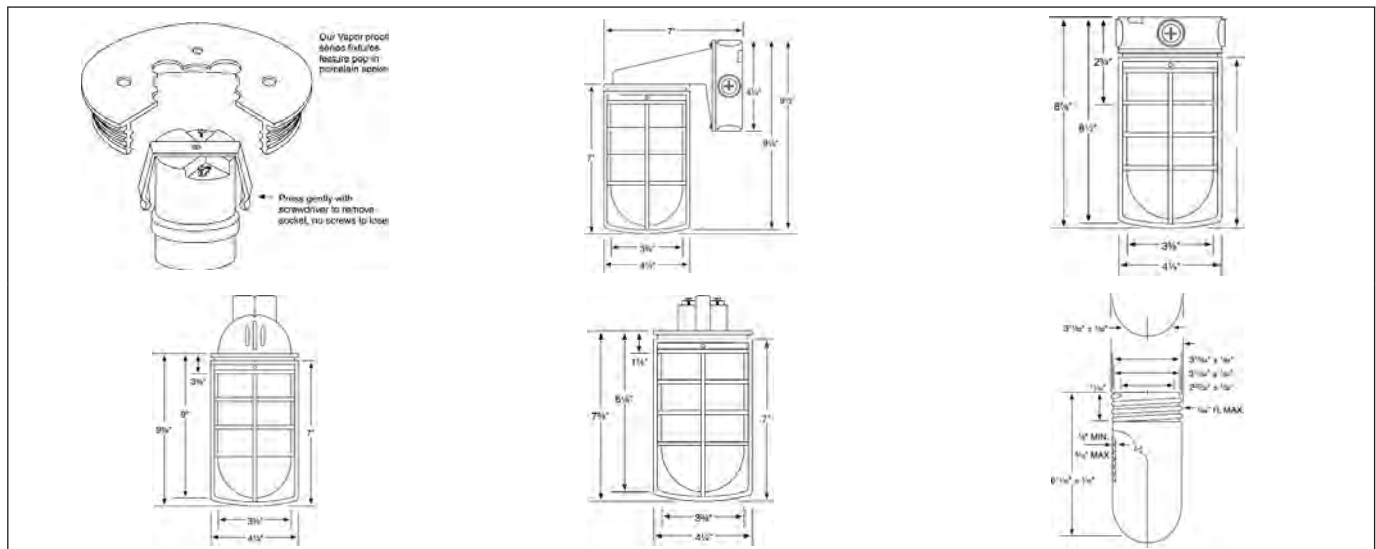
TP7477

Vapor Proof

Cat. #	Description	Watts	Std. Unit Carton	Wt. Lbs. Per 100
TP7460	Glass Clear Globe, 130 °F Max	100	12	98
TP7462	Glass Amber Globe	100	12	120
TP7463	Glass Blue Globe	100	12	120
TP7464	Glass Green Globe	100	12	120
TP7466	Glass Clear Globe	200	6	200
TP7468	Lexan Clear Prismatic	75	12	58.4
TP7469	Lexan Blue Prismatic	60	12	58.4
TP7470	Lexan Red Prismatic	75	12	58.4
TP7471	Lexan Amber Prismatic	75	12	58.4
TP7472	Lexan White	75	12	58.4
TP7474	Bayonet Mount Die-Cast Guard	100	12	108.4
TP7475	Wire Guard	200	6	183.4
TP7476	Clamp-On Wire Guard	100	12	62.5
TP7477	Adapter Plate	—	12	62.5

## VAPOR PROOF DIMENSIONS

### 100 WATT DIMENSIONS



### 200 WATT

Cat. #	Length	Overall Width	Depth
TP7830	12 1/2"	5 1/2"	6 1/8"
TP7840	12 1/2"	5 1/2"	8"
TP7820	7 1/2"	4 1/2"	—
TP7810	11 1/2"	5 1/2"	—
TP7800	10 3/4"	5 1/2"	—

## PHOTOELECTRIC LIGHTING CONTROLS

Photoelectric



TP7925



TP7927 - TP7928

### Applications:

- Use for sunset activated automatic control of night lighting
- May be used to control outdoor lighting and signs

### Features:

- Durable weatherproof construction
- Built-in time delay prevents operation triggered by temporary light flashes

Cat. #	Description	Std. Unit Pkg.	Wt. Lbs. Per 100
TP7925	1200W Swivel Photo Cell 120V	10	8.3
TP7927	300W Photo Cell 120V	10	8.3
TP7928	1000W Photo Cell 208 - 277V	10	8.3