

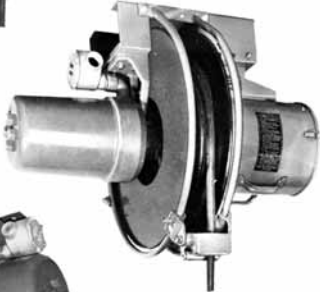




Class I, Div. 1 and 2  
Group D  
Class II, Div. 1 and 2  
Groups E,F,G  
Class III

## AERL, RL200E, RL300E, RL400E, RL500E, RW300E, RW400E and RW500E Series Explosionproof Reelites®

	Page	Description
 <p>AERL SERIES</p>	<b>50,51</b>	<b>Reelite Applications for Hazardous Locations</b>
	<b>52-57</b>	<b>Explosionproof Reelite Selection Tables</b>
 <p>RL200E Series thru RL230E Series</p>	<b>58</b>	<b>AERL Series</b>
	52	Selection Tables
	<b>60-63</b>	<b>RL200E thru RL230E Series</b>
	52-54	Selection Tables
	60,61	Applications, Features and Ordering Information
 <p>RL300E Series thru RL500E Series</p>	62	Accessories
	63	Dimensions
	<b>64-67</b>	<b>RL300E thru RL500E Series</b>
	52-55	Selection Tables
	64,65	Applications, Features and Ordering Information
 <p>RW300E Series thru RW500E Series</p>	66	Accessories
	67	Dimensions
	<b>68-71</b>	<b>RW300E thru RW500E Series</b>
	56,57	Selection Tables
	68,69	Applications, Features and Ordering Information
	70	Accessories
	71	Dimensions
	<b>72-79</b>	<b>Accessories for Explosionproof Reelites</b>
	72	Cable Locking Ratchets
	73-76	Cable Outlets
	77,78	Swivel Bases
	79	Ball Stops and Explosionproof Handlamps



## Reelite® Applications For Hazardous Locations

### DESCRIPTION OF HAZARDOUS LOCATION

A Hazardous Location is simply defined as any area where the possibility of fire or explosion exists due to the presence of flammable gases, vapors, dusts, or flyings.

Three basic conditions must be present for a fire or explosion to occur:

1. A sufficient amount of flammable vapors, gases, liquid or combustible dust must be present.
2. The right mixture of air with flammable vapors, gases, liquid, combustible dust.
3. The energy required to ignite the explosive mixture.

The National Electrical Code defines hazardous locations by categories of Class, Division, and Group.

### REELITES FOR HAZARDOUS LOCATIONS

Explosionproof Reelites listed in this catalog section are designed and constructed to comply with requirements for the following hazardous locations:

- Class I, Div. 1 and 2, Group D.
- Class II, Div. 1 and 2, Groups, E,F,G.
- Class III

Do NOT apply Explosionproof Reelites to any hazardous location or groups other than those listed above and on the feature page for each individual Reelite series.

### REELITE CONSTRUCTION FOR HAZARDOUS LOCATIONS

Explosionproof Reelites for application to the specific hazardous locations listed above require special construction of all areas involving the electrical components of the reel where an electrical spark or excessive heat may develop.

The collector ring and brush assembly housing (Fig. 2) is constructed of malleable iron or cast aluminum and includes a cast threaded cover capable of containing an explosion that could occur within.

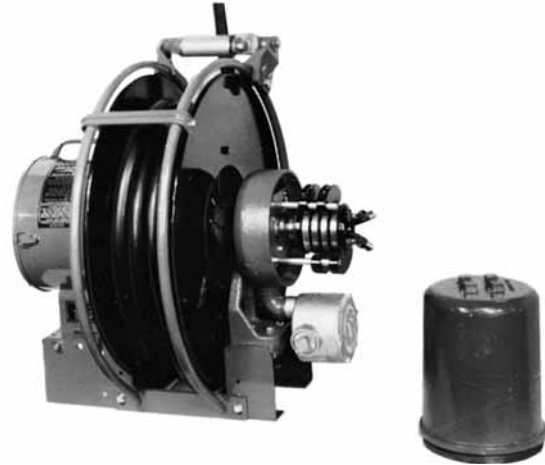


Fig. 2—Cast ring & brush housing with threaded cast cover.

To facilitate the field installation of an explosionproof Reelite, internal leads between brush assembly and external junction box are factory wired and sealed by potting (Fig. 3).



Fig. 3—Internal wiring showing factory-potted leads.

## Reelite® Applications For Hazardous Locations (cont'd)

A cast threaded junction box completes the special construction of explosionproof Reelites (Fig. 4). This external junction box provides ample working room to allow the electrician to make incoming connection to the reel. The threaded cast cover plus factory-potted leads to the reel protect against any accidental sparking within the junction box chamber during operation.



Fig. 4—Close-up view of external cast junction box for easy field installation.

Dust build-up on the cast housing or cover does not present a danger since there is ample air space within the cover, and the operating temperature on the surface of the cover is well below the ignition point for approved dust and flyings listed. Those explosionproof reels requiring cable locking ratchets are supplied with a combination of materials which will be “non-sparking.”

### GUIDE TO HAZARDOUS LOCATIONS

The following guide to hazardous locations offers a condensed description of National Electrical Code classifications and is to be used for general information only and does not imply that explosionproof Reelites are suitable for any classification other than previously listed.

**Class I Locations** are those where flammable gases or vapors are or may be present in the air in quantities sufficient to produce explosive or ignitable mixtures.

*Class I, Division 1 Locations* are those where such hazardous concentrations of flammable gases or vapors exist continuously, intermittently, or periodically under normal operating conditions.

*Class I, Division 2 Locations* are those where such hazardous concentrations of flammable gases or vapors are handled in closed containers or piping systems and present a danger only in the case of accidental rupture, breakage, or unusual faulty operation.

**Class II Locations** are those where the presence of combustible dust presents a fire or explosion hazard.

*Class II, Division 1 Locations* are those where dust is suspended in the air continuously, intermittently, or periodically under normal operating conditions, in quantities sufficient to produce explosive or ignitable mixtures.

*Class II, Division 2 Locations* are those where such dust is not suspended in the air, but where deposits of it accumulating on the electrical equipment will interfere with the safe dissipation of heat, causing a fire hazard.

**Class III Locations** are those where easily ignitable fibers or flyings are present but are not likely to be suspended in the air in quantities sufficient to produce ignitable mixtures.

*Class III, Division 1 Locations* are those where ignitable fibers or materials producing combustible flyings are handled, manufactured, or used.

*Class III, Division 2 Locations* are those where easily ignited fibers are stored or handled (except in process of manufacture).

Further refinement created for the purpose of testing and approving electrical equipment divides Class I into four separate designations (A, B, C, and D) and divides Class II into three separate designations (E, F, and G).

Class I, Group A: Atmospheres containing acetylene.

Class I, Group B: Atmosphere containing butadiene, ethylene oxide, hydrogen, manufactured gases containing more than 30% hydrogen (by volume), propylene oxide.

Class I, Group C: Atmospheres containing acetaldehyde, cyclopropane, diethyl ether, ethylene, unsymmetrical dimethyl hydrazine (UDMH 1, 1-dimethyl hydrazine).

Class I, Group D: Atmospheres containing acetone, acrylonitrile, ammonia, benzene, butane, 1-butanol (butyl alcohol), 2-butanol (secondary butyl alcohol), n-butyl acetate, isobutyl acetate ethane, ethanol (ethyl alcohol), ethyl acetate, ethylene dichloride, gasoline, heptanes, hexanes, isoprene, methane (natural gas), methanol (methyl alcohol), 3-methyl-1-butanol (isoamyl alcohol), methyl ethyl ketone, methyl isobutyl ketone, 2-methyl-1-propanol (isobutyl alcohol), 2-methyl-2-propanol (tertiary butyl alcohol), petroleum naphtha, octanes, pentanes, 1-pentanol (amyl alcohol), propane, 1-propanol (propyl alcohol), 2-propanol (isopropyl alcohol), propylene, styrene, toluene, vinyl acetate, vinyl chloride, xylenes.

Class II, Group E: Atmospheres containing metal dust, including aluminum, magnesium, and their commercial alloys, and other metals of similarly hazardous characteristics.

Class II, Group F: Atmospheres containing carbon black, coal or coke dust with more than 8% volatile material.

Class II, Group G: Atmospheres containing flour, starch, or grain dusts.

W

# W3-52

Class I, Div. 1 and 2  
 Group D  
 Class II, Div. 1 and 2  
 Groups E,F,G  
 Class III

## Selection Table: Explosionproof Reelites® Lift, Pick-Up and Suspension† Duty

Type SO Cable 18 thru 14 Gauge 2 thru 24 Conductors

Wire Size A.W.G.	No. of Cond.	Cable Length in Feet								
		20	25	30	35	40	45	50	55	60
		Cable Length in Meters								
		6.1	7.6	9.1	10.7	12.2	13.7	15.2	16.8	18.3
<b>18</b>	2	RL203JE	RL203JE	RL203JE	RL203JE	RL203JE	RL203JE	RL203JE	RL203JE	RL203JE
	3	RL203JE	RL203JE	RL203JE	RL203JE	RL203JE	RL203JE	RL203JE	RL203JE	RL203JE
	4	RL204JE	RL204JE	RL204JE	RL204JE	RL204JE	RL204JE	RL204JE	RL204JE	RL204JE
	5	RL205JE	RL205JE	RL205JE	RL205JE	RL205JE	RL205JE	RL205JE	RL205JE	RL205JE
	6	RL206LE	RL206LE	RL206LE	RL206LE	RL206LE	RL206LE	RL206LE	RL206LE	RL206LE
	7	RL328E	RL328E	RL328E	RL328E	RL328E	RL328E	RL328E	RL328E	RL328E
	8	RL325E	RL325E	RL325E	RL325E	RL325E	RL325E	RL325E	RL325E	RL325E
	<b>16</b>	2	AERL22	AERL22	AERL22	AERL22	AERL22	AERL22	AERL22	RL203JE
3		AERL22	AERL22	AERL22	AERL22	AERL22	AERL22	AERL22	RL203JE	RL203JE
4		AERL32	AERL32	AERL32	AERL32	AERL32	AERL32	AERL32	RL204JE	RL204JE
5		RL205LE	RL205LE	RL205LE	RL205LE	RL205LE	RL205LE	RL205LE	RL205LE	RL205LE
6		RL206LE	RL206LE	RL206LE	RL206LE	RL206LE	RL206LE	RL206LE	RL206LE	RL206LE
7		RL322E	RL322E	RL322E	RL322E	RL322E	RL322E	RL322E	RL322E	RL322E
8		RL422E	RL422E	RL422E	RL422E	RL422E	RL422E	RL422E	RL422E	RL422E
10		RL331E	RL331E	RL331E	RL331E	RL331E	RL335E	RL335E	RL449E	RL449E
12		RL331E	RL331E	RL331E	RL331E	RL331E	RL336E	RL336E	RL449E	RL449E
16		RL340E	RL340E	RL340E	RL340E	RL341E	RL341E	RL456E	RL456E	RL457E
20	RL477E	RL477E	RL478E	RL478E	RL490E	RL490E	RL490E	RL490E	RL491E	
24	RL485E	RL485E	RL485E	RL494E	RL494E	RL495E	RL495E	RL570E	RL570E	
<b>14</b>	2	AERL22	AERL22	AERL22	RL203ME	RL203ME	RL203ME	RL203ME	RL203ME	RL233ME
	3	AERL22	AERL22	AERL22	RL203ME	RL203ME	RL203ME	RL203ME	RL203ME	RL233NE
	4	AERL32	AERL32	AERL32	RL204ME	RL204ME	RL204ME	RL204ME	RL234NE	RL234NE
	5	RL205LE	RL205LE	RL205LE	RL205LE	RL205LE	RL205LE	RL225NE	RL325E	RL325E
	6	RL206LE	RL206LE	RL206LE	RL206LE	RL206LE	RL206LE	RL325E	RL422E	RL422E
	7	RL315E	RL315E	RL315E	RL315E	RL315E	RL319E	RL423E	RL423E	RL423E
	8	RL317E	RL317E	RL317E	RL317E	RL326E	RL423E	RL423E	RL423E	RL427E
	10	RL332E	RL333E	RL333E	RL333E	RL334E	RL452E	RL452E	RL452E	RL452E
	12	RL337E	RL338E	RL338E	RL338E	RL339E	RL455E	RL455E	RL455E	RL455E
	16	RL344E	RL344E	RL344E	RL462E	RL464E	RL464E	RL464E	RL551E	RL553E
20	RL479E	RL479E	RL480E	RL480E	RL492E	RL492E	RL568E	RL568E	RL569E	
24	RL487E	RL487E	RL487E	RL571E	RL571E	RL572E	RL572E	RL581E	RL581E	

†For cable lengths shown, reels will provide 10% sag in suspension applications (see introductory Subsection W1 for how sag is measured). For less sag (6%-8%), consult Factory.

**Class I, Div. 1 and 2  
Group D  
Class II, Div. 1 and 2  
Groups E,F,G  
Class III**

## Selection Table: Explosionproof Reelites® Lift, Pick-Up and Suspension† Duty

Type SO Cable    18 thru 14 Gauge    2 thru 24 Conductors

Cable Length in Feet									No. of Cond.	Wire Size A.W.G.
70	80	90	100	110	120	130	140	150		
Cable Length in Meters										
21.3	24.4	27.4	30.5	33.5	36.6	39.6	42.7	45.7		
RL203JE	RL203KE	RL213ME	RL213ME	RL213ME	RL305E	RL305E	RL305E	RL305E	2	<b>18</b>
RL203JE	RL203KE	RL213ME	RL213ME	RL213ME	RL305E	RL305E	RL305E	RL313E	3	
RL204JE	RL204KE	RL214ME	RL214ME	RL214ME	RL308E	RL308E	RL313E	RL313E	4	
RL215LE	RL215LE	RL235NE	RL327E	RL327E	RL327E	RL327E	RL438E	RL438E	5	
RL236NE	RL236NE	RL236NE	RL328E	RL328E	RL328E	RL425E	RL439E	RL439E	6	
RL328E	RL328E	RL328E	RL425E	RL425E	RL441E	RL441E	RL441E	RL439E	7	
RL325E	RL325E	RL430E	RL430E	RL430E	RL444E	RL440E	RL522E	RL526E	8	
RL203JE	RL203KE	RL213ME	RL213ME	RL213ME	RL305E	RL305E	RL305E	RL305E	2	
RL203JE	RL203KE	RL213ME	RL213ME	RL213ME	RL305E	RL305E	RL313E	RL313E	3	
RL204JE	RL214LE	RL234NE	RL308E	RL308E	RL308E	RL308E	RL414E	RL410E	4	
RL225ME	RL235NE	RL235NE	RL328E	RL328E	RL328E	RL425E	RL439E	RL439E	5	
RL236NE	RL236NE	RL328E	RL425E	RL425E	RL425E	RL442E	RL442E	RL439E	6	
RL322E	RL324E	RL425E	RL429E	RL429E	RL429E	RL429E	RL442E	RL524E	7	
RL422E	RL422E	RL422E	RL430E	RL430E	RL443E	RL444E	RL522E	RL522E	8	
RL449E	RL449E	RL451E	RL536E	RL536E	RL542E	RL542E	RL541E	RL541E	10	
RL449E	RL450E	RL453E	RL538E	RL542E	RL542E	RL542E	RL542E	RL543E	12	
RL457E	RL459E	RL547E	RL547E	RL547E	RL549E	RL549E	RL549E	RL549E	16	
RL493E	RL574E	RL574E	RL574E	—	—	—	—	—	20	
RL575E	RL575E	RL580E	RL580E	—	—	—	—	—	24	
RL233NE	RL233NE	RL233NE	RL309E	RL309E	RL309E	RL402E	RL415E	RL411E	2	
RL233NE	RL233NE	RL233NE	RL309E	RL309E	RL309E	RL402E	RL416E	RL412E	3	
RL234NE	RL306E	RL404E	RL404E	RL404E	RL404E	RL404E	RL416E	RL505E	4	
RL325E	RL422E	RL435E	RL430E	RL430E	RL444E	RL525E	RL522E	RL522E	5	
RL422E	RL426E	RL430E	RL516E	RL525E	RL525E	RL525E	RL529E	RL529E	6	
RL427E	RL427E	RL436E	RL520E	RL517E	RL530E	RL530E	RL530E	RL530E	7	
RL514E	RL520E	RL517E	RL517E	RL527E	—	—	—	—	8	
RL537E	RL540E	RL539E	RL539E	—	—	—	—	—	10	
RL545E	RL545E	RL546E	RL546E	—	—	—	—	—	12	
RL553E	RL553E	RL553E	—	—	—	—	—	—	16	
RL576E	RL576E	RL578E	—	—	—	—	—	—	20	
—	—	—	—	—	—	—	—	—	24	

†For cable lengths shown, reels will provide 10% sag in suspension applications (see introductory Subsection W1 for how sag is measured). For less sag (6%-8%), consult Factory.

# W3-54

Class I, Div. 1 and 2  
 Group D  
 Class II, Div. 1 and 2  
 Groups E,F,G  
 Class III

## Selection Table: Explosionproof Reelites® Lift, Pick-Up and Suspension† Duty

Type SO Cable 12 thru 10 Gauge 2 thru 24 Conductors

Wire Size A.W.G.	No. of Cond.	Cable Length in Feet									
		20	25	30	35	40	45	50	55	60	
		Cable Length in Meters									
		6.1	7.6	9.1	10.7	12.2	13.7	15.2	16.8	18.3	
12	2	RL203LE	RL203LE	RL203LE	RL203LE	RL203LE	RL203LE	RL203LE	RL223NE	RL223NE	RL223NE
	3	RL203LE	RL203LE	RL203LE	RL203LE	RL203LE	RL203LE	RL203LE	RL223NE	RL223NE	RL223NE
	4	RL204LE	RL204LE	RL204LE	RL204LE	RL204LE	RL204LE	RL204LE	RL224NE	RL224NE	RL224NE
	5	RL205NE	RL205NE	RL205NE	RL205NE	RL225NE	RL225NE	RL225NE	RL326E	RL427E	RL427E
	6	RL206NE	RL206NE	RL226NE	RL226NE	RL319E	RL329E	RL329E	RL427E	RL427E	RL427E
	7	RL316E	RL316E	RL320E	RL320E	RL320E	RL428E	RL428E	RL428E	RL428E	RL432E
	8	RL316E	RL318E	RL418E	RL419E	RL419E	RL432E	RL432E	RL432E	RL432E	RL515E
	10	RL465E	RL465E	RL465E	RL465E	RL470E	RL470E	RL470E	RL471E	RL471E	RL555E
	12	RL465E	RL465E	RL468E	RL468E	RL554E	RL554E	RL554E	RL555E	RL555E	RL556E
	16	RL473E	RL475E	RL475E	RL475E	RL562E	RL562E	RL562E	RL564E	RL564E	RL566E
20	RL480E	RL480E	RL482E	RL482E	RL569E	RL569E	RL569E	RL576E	RL576E	RL576E	
24	—	—	—	—	—	—	—	—	—	—	
10	2	RL203LE	RL203LE	RL203LE	RL203LE	RL203LE	RL203LE	RL203LE	RL223NE	RL307E	RL307E
	3	RL203LE	RL203LE	RL203LE	RL203LE	RL203LE	RL203LE	RL203LE	RL223NE	RL307E	RL307E
	4	RL204LE	RL204LE	RL204LE	RL204LE	RL224NE	RL224NE	RL224NE	RL310E	RL403E	RL403E
	5	RL205NE	RL205NE	RL205NE	RL205NE	RL319E	RL329E	RL329E	RL427E	RL427E	RL431E
	6	RL318E	RL318E	RL318E	RL318E	RL318E	RL424E	RL432E	RL432E	RL432E	RL432E
	7	RL318E	RL418E	RL418E	RL418E	RL432E	RL432E	RL432E	RL432E	RL432E	RL515E
	8	RL330E	RL445E	RL445E	RL446E	RL447E	RL447E	RL447E	RL447E	RL448E	RL533E
	10	RL465E	RL466E	RL466E	RL466E	RL555E	RL555E	RL555E	RL556E	RL556E	RL556E
	12	RL467E	RL467E	RL469E	RL469E	RL557E	RL557E	RL557E	RL557E	RL559E	RL559E
	16	RL475E	RL476E	RL476E	RL564E	RL564E	RL566E	RL566E	RL566E	RL567E	RL567E
20	—	—	—	—	—	—	—	—	—	—	
24	—	—	—	—	—	—	—	—	—	—	

†For cable lengths shown, reels will provide 10% sag in suspension applications (see introductory Subsection W1 for how sag is measured). For less sag (6%-8%), consult Factory.

**Class I, Div. 1 and 2  
Group D  
Class II, Div. 1 and 2  
Groups E,F,G  
Class III**

## Selection Table: Explosionproof Reelites® Lift, Pick-Up and Suspension† Duty

Type SO Cable 12 thru 10 Gauge 2 thru 24 Conductors

Cable Length in Feet									No. of Cond.	Wire Size A.W.G.
70	80	90	100	110	120	130	140	150		
Cable Length in Meters									No. of Cond.	Wire Size A.W.G.
21.3	24.4	27.4	30.5	33.5	36.6	39.6	42.7	45.7		
RL223NE	RL306E	RL402E	RL402E	RL404E	RL404E	RL404E	RL416E	RL507E	2	12
RL307E	RL307E	RL405E	RL405E	RL405E	RL413E	RL413E	RL504E	RL504E	3	
RL307E	RL405E	RL405E	RL417E	RL417E	RL417E	RL417E	RL511E	RL511E	4	
RL427E	RL436E	RL433E	RL517E	RL517E	RL523E	RL530E	RL530E	RL530E	5	
RL436E	RL436E	RL433E	RL517E	RL530E	RL530E	RL530E	—	—	6	
RL515E	RL521E	RL528E	RL528E	—	—	—	—	—	7	
RL515E	RL521E	RL528E	RL528E	—	—	—	—	—	8	
RL556E	RL556E	RL558E	—	—	—	—	—	—	10	
RL556E	RL558E	—	—	—	—	—	—	—	12	
RL566E	RL566E	—	—	—	—	—	—	—	16	
—	—	—	—	—	—	—	—	—	20	
—	—	—	—	—	—	—	—	—	24	
RL307E	RL307E	RL405E	RL405E	RL405E	RL417E	RL413E	RL504E	RL508E	2	10
RL307E	RL409E	RL408E	RL408E	RL417E	RL417E	RL506E	RL511E	RL511E	3	
RL403E	RL409E	RL408E	RL501E	RL511E	RL511E	RL511E	RL511E	RL511E	4	
RL437E	RL437E	RL517E	RL527E	RL527E	RL531E	RL531E	RL531E	RL531E	5	
RL515E	RL528E	RL528E	RL528E	—	—	—	—	—	6	
RL528E	RL528E	RL528E	RL532E	—	—	—	—	—	7	
RL535E	RL535E	—	—	—	—	—	—	—	8	
RL558E	—	—	—	—	—	—	—	—	10	
RL560E	—	—	—	—	—	—	—	—	12	
—	—	—	—	—	—	—	—	—	16	
—	—	—	—	—	—	—	—	—	20	
—	—	—	—	—	—	—	—	—	24	

†For cable lengths shown, reels will provide 10% sag in suspension applications (see introductory Subsection W1 for how sag is measured). For less sag (6%-8%), consult Factory.

# W3-56

Class I, Div. 1 and 2  
Group D  
Class II, Div. 1 and 2  
Groups E,F,G  
Class III

## Selection Table: Explosionproof Reelites® Lift, Pick-Up and Suspension† Duty

Type W Cable 8 thru 2 Gauge 1 thru 4 Conductors

Wire Size A.W.G.	No. of Cond.	Cable Length in Feet								
		20	25	30	35	40	45	50	55	60
		Cable Length in Meters								
		6.1	7.6	9.1	10.7	12.2	13.7	15.2	16.8	18.3
<b>8</b>	1	RW300E	RW300E	RW300E	RW315E	RW315E	RW315E	RW315E	RW315E	RW315E
	2	RW302E	RW302E	RW305E	RW305E	RW305E	RW319E	RW319E	RW402E	RW402E
	3	RW308E	RW309E	RW309E	RW321E	RW321E	RW408E	RW408E	RW409E	RW409E
	4	RW312E	RW312E	RW312E	RW322E	RW322E	RW413E	RW413E	RW413E	RW416E
<b>6</b>	1	RW301E	RW301E	RW301E	RW316E	RW316E	RW316E	RW316E	RW316E	RW318E
	2	RW303E	RW304E	RW304E	RW320E	RW320E	RW403E	RW404E	RW404E	RW404E
	3	RW310E	RW310E	RW311E	RW400E	RW410E	RW410E	RW410E	RW411E	RW411E
	4	RW313E	RW314E	RW401E	RW414E	RW414E	RW415E	RW415E	RW417E	RW501E
<b>4</b>	1	RW301E	RW301E	RW301E	RW317E	RW317E	RW317E	RW317E	RW317E	RW317E
	2	RW306E	RW307E	RW307E	RW307E	RW405E	RW405E	RW406E	RW406E	RW500E
	3	RW453E	RW453E	RW464E	RW464E	RW464E	RW469E	RW469E	RW555E	RW560E
	4	RW458E	RW460E	RW460E	RW553E	RW553E	RW553E	RW564E	RW565E	RW565E
<b>3</b>	1	RW329E	RW329E	RW329E	RW329E	RW331E	RW331E	RW331E	RW331E	RW331E
	2	RW450E	RW450E	RW462E	RW462E	RW462E	RW468E	RW468E	RW554E	RW556E
	3	RW454E	RW454E	RW456E	RW465E	RW551E	RW551E	RW551E	RW560E	RW562E
	4	RW458E	RW460E	RW460E	RW460E	RW553E	RW553E	RW564E	RW565E	RW565E
<b>2</b>	1	RW329E	RW329E	RW330E	RW330E	RW330E	RW331E	RW331E	RW331E	RW331E
	2	RW451E	RW451E	RW452E	RW463E	RW550E	RW550E	RW550E	RW557E	RW559E
	3	RW455E	RW457E	RW457E	RW466E	RW552E	RW561E	RW561E	RW563E	RW563E
	4	RW461E	RW461E	RW467E	RW566E	RW567E	RW567E	RW567E	—	—

†For cable lengths shown, reels will provide 10% sag in suspension applications (see introductory Subsection W1 for how sag is measured). For less sag (6%-8%), consult Factory.

**Class I, Div. 1 and 2  
Group D  
Class II, Div. 1 and 2  
Groups E,F,G  
Class III**

## Selection Table: Explosionproof Reelites® Lift, Pick-Up and Suspension† Duty

Type W Cable    8 thru 2 Gauge    1 thru 4 Conductors

Cable Length in Feet									No. of Cond.	Wire Size A.W.G.
70	80	90	100	110	120	130	140	150		
Cable Length in Meters										
21.3	24.4	27.4	30.5	33.5	36.6	39.6	42.7	45.7		
RW315E	RW315E	RW323E	RW323E	RW323E	RW323E	RW326E	RW326E	RW326E	1	<b>8</b>
RW407E	RW418E	RW422E	RW510E	RW510E	RW511E	RW511E	RW511E	—	2	
RW412E	RW504E	RW504E	RW504E	RW504E	—	—	—	—	3	
RW507E	RW507E	RW507E	RW508E	—	—	—	—	—	4	
RW318E	RW324E	RW324E	RW324E	RW327E	RW327E	RW327E	RW420E	RW420E	1	<b>6</b>
RW419E	RW502E	RW502E	RW512E	RW512E	—	—	—	—	2	
RW505E	RW505E	RW506E	RW513E	—	—	—	—	—	3	
RW509E	RW509E	RW509E	—	—	—	—	—	—	4	
RW317E	RW325E	RW325E	RW328E	RW328E	RW328E	RW421E	RW421E	RW421E	1	<b>4</b>
RW503E	RW503E	RW503E	—	—	—	—	—	—	2	
RW562E	RW562E	—	—	—	—	—	—	—	3	
RW565E	—	—	—	—	—	—	—	—	4	
RW331E	RW424E	RW424E	RW424E	RW424E	RW424E	RW515E	RW515E	RW515E	1	<b>3</b>
RW556E	RW558E	—	—	—	—	—	—	—	2	
RW562E	—	—	—	—	—	—	—	—	3	
—	—	—	—	—	—	—	—	—	4	
RW423E	RW423E	RW425E	RW425E	RW425E	RW516E	RW516E	RW516E	RW516E	1	<b>2</b>
RW559E	—	—	—	—	—	—	—	—	2	
—	—	—	—	—	—	—	—	—	3	
—	—	—	—	—	—	—	—	—	4	

†For cable lengths shown, reels will provide 10% sag in suspension applications (see introductory Subsection W1 for how sag is measured). For less sag (6%-8%), consult Factory.

# W3-58

**Class I, Div. 1 and 2  
Group D  
Class II, Div. 1 and 2  
Groups E,F,G  
Class III**

## Applications

- Designed for lift, pick-up and suspension applications in Class I, Group D; Class II, Groups E, F and G; and Class III hazardous locations containing flammable vapors, gases or combustible dust.
- Maximum operating capacity 15 amps, 600 volts AC/250 volts DC.
- Transfers safe, uninterrupted power or control signals for equipment requiring #16 and #14 gauge Type SO oil-resistant cable with 2 to 4 conductors.
- Model AERL22-RB5 available from stock includes AERL22 Reelite (2W 3P) with ratchet, 50 feet of #16/3-conductor SO cable, and 100 watt EHL-100N medium base explosionproof handlamp, suitable for Class I, Group D, only.

## Features

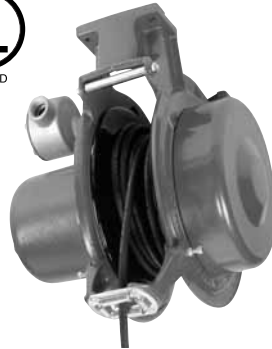
- Compact size, light weight and rugged construction for long service with minimum maintenance.
- Factory pre-wired and sealed to large junction box for fast, easy installation.
- Safety ground through separate collector ring and frame provides positive grounding path.
- Lifetime-lubricated bearings reduce maintenance.
- Easy-to-remove cover provides quick access to springs. Cast threaded cover is removable for inspection of ring and brush assembly.
- Each spring is separately contained in a safety cartridge to eliminate danger during handling or replacement.
- Built-in cable locking ratchet is provided with all reels in this series and can be easily activated when required.
- Available with cable lengths up to 50'.
- Includes adjustable four-roller cable outlet guide. Other optional cable guides and swivel bases are available.

## Standard Materials

- Cast aluminum frame and steel reel-sides.
- Collector rings are copper.
- Brushes are high-density copper graphite.

## AERL Series Explosionproof Reelites®

Type SO Cable, 16 and 14 Gauge, 2 to 4 Conductors.



**AERL22 Series  
AERL32 Series**



**Model AERL22-RB5  
Reel with Handlamp  
Class I, Group D only**



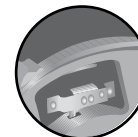
**Snap-off Spring  
and Collector  
Ring Covers**



**Easy-to-wire  
Ring and Brush  
Assembly**



**One-piece,  
long-life Safety  
Spring Cartridge**



**Built-in, on-off  
Locking Ratchet**

Wire Gauge A.W.G.	Number of Conductors	Cable Capacity		Catalog Number
		Feet	Meters	
#16	2W 3P	50	15.2	<b>AERL22-163-50</b>
#14	2W 3P	30	9.1	<b>AERL22-143-30</b>
#16	3W 4P	50	15.2	<b>AERL32-164-50</b>
#14	3W 4P	30	9.1	<b>AERL32-144-30</b>
#16	2W 3P	50	15.2	<b>AERL22-RB5*</b>

\* With ratchet and explosionproof handlamp suitable for Class I, Group D only.

## Standard Finish

- Red epoxy powder coat.

## Ordering Information

Catalog numbers for AERL Series Reelites with maximum cable lengths are listed above. For AERL Reelites having specific cable lengths, refer to index for selection table. For general and technical information, refer to Subsection W1.

1. Specify complete catalog number. To be complete, catalog number must include "AERL" prefix followed by a two-digit number designating a specific model in the AERL Series. Example: AERL32 is a complete catalog number.
2. Specify cable length, gauge, and number of conductors. Cable pricing is

found in Pricing Index, Schedule RC. To validate warranty, cable must be ordered with reel and factory installed to assure undivided responsibility for proper cable length, flexibility, installation and proper pretension of power springs.

3. All Reelites in the AERL Series include four-roller cable outlet guide shown. Other outlet types are available at extra charge. See Accessories in this section.

4. All Reelites in the AERL Series are shipped with ratchets which are "locked out" for constant cable tension. These ratchets can be easily field-activated where cable locking is desired.

Note: Model AERL22-RB5 has the Ratchets engaged.

**Class I, Div. 1 and 2  
Group D  
Class II, Div. 1 and 2  
Groups E,F,G  
Class III**

## Accessories and Dimensions: AERL Series Explosionproof Reelites®

### Cable Locking Ratchets

Industrial Reelites normally provide for constant cable tension which automatically rewinds any excess or slack cable. In applications where constant tension is not desired after cable has been pulled out to the required length, a cable locking ratchet is available. When normal spring tension is again needed to rewind the cable, the ratchet can be released by a short tug. Reelites in the AERL Series are all supplied with ratchets. However, their ratchets are locked out so that constant tension is provided. If the ratchet is needed, it can be easily engaged in the field by the simple removal of two screws. Note: Model AERL22-RB5 has the ratchets engaged.

### Cable Outlets

Where cable payout is not in direct line with the reel drum, it is important that the proper cable outlet guide be selected to prevent cable damage and excessive wear, minimized friction

and provide proper cable piling on the drum. For explanation of the various types of roller outlets and cable guides, refer to the brief description below and for applications, refer to introductory Subsection W1.

**Four-Roller Outlet:** General purpose cable guide allowing cable payout up to 30° in all directions from center.

**Swivel Outlet:** Allows cable payout at right angles to reel drum up to a total of 225°.

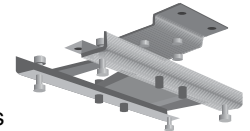
**Two-Roller Outlet and Guide Rails:** Allow two-way payout up to 180° in line with reel drum. The table below identifies standard and optional cable roller outlets and guide rails available for the AERL Series Reelites as well as the maximum cable diameter and payout arc which each roller outlet will accommodate.

**Split Ball Stop:** Cable ball stop BS631 is furnished with the AERL Series Reelites.

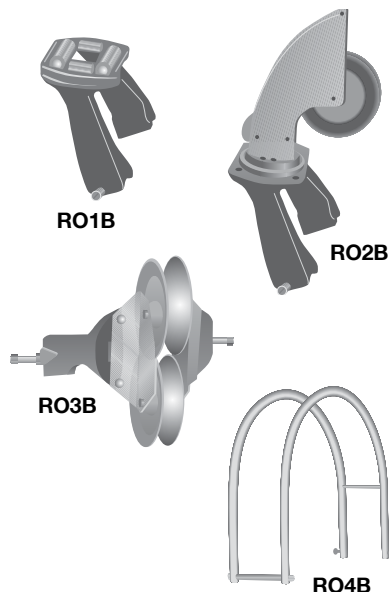
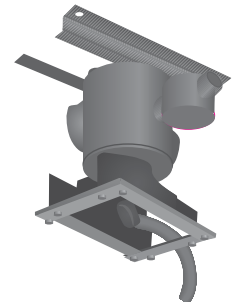
### Swivel Bases

Optional Swivel bases are available for AERL Series Reelites as shown here.

**335° Limited Swivel Base**  
SBL-RL2 for AERL Series Reelites



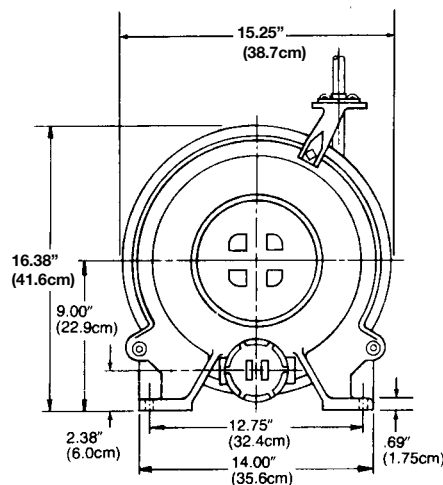
**360° Continuous Swivel Base**  
SBRLE-4 (4 Conductors) for AERL Series Reelites



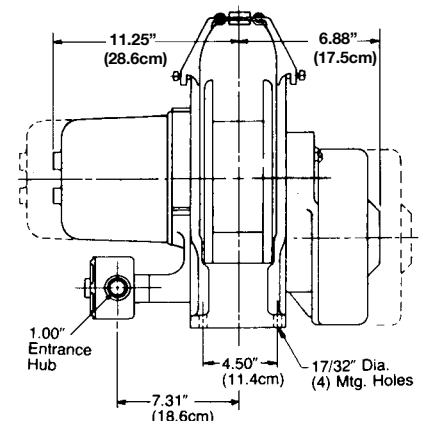
Reelite Series	Outlet Furnished Cat. No.	Optional Outlets Available*		Max. Arc of Cable Bending	Largest Cable Dia	
		Cat. No.	Type		Inches	cm
AERL	RO1B	RO1B	Four Roller	60°	0.750	1.91
		RO2B	Swivel Type	225°	0.750	1.91
		RO3B	Two Roller	180°	0.750	1.91
		RO4B	Guide Rail	—	—	—

\* Special Four-Roller and Swivel Type outlets are available for remote mounting.

### Dimensions:



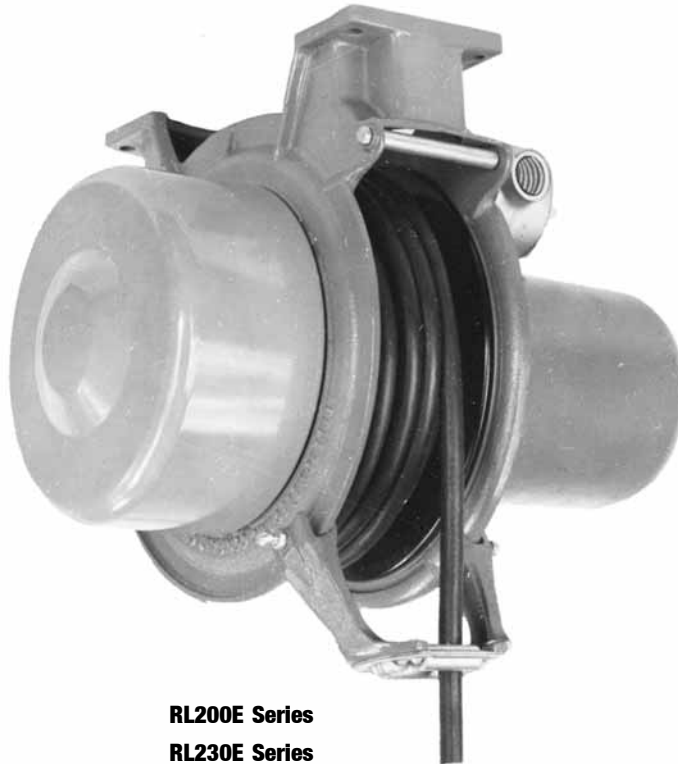
Allow 15" (38cm) clearance for cover removal.



## RL200E thru RL230E Series Explosionproof Reelites®

Type SO Cable 18 to 10 Gauge 2 to 6 Conductors

*For specific catalog numbers, refer to selection tables at the beginning of this section.*



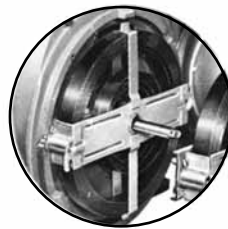
**RL200E Series  
RL230E Series**



**Snap-off Spring and  
Collector Ring Covers**



**Easy-to-wire Ring  
and Brush Assembly**



**One-piece, long-life  
Safety Spring Cartridge**



**Built-in, on-off  
Locking Ratchet**

**Class I, Div. 1 and 2  
Group D  
Class II, Div. 1 and 2  
Groups E,F,G  
Class III**

## RL200E thru RL230E Series Explosionproof Reelites®

Type SO Cable 18 to 10 Gauge 2 to 6 Conductors

*For specific catalog numbers, refer to selection tables at the beginning of this section.*

### Applications

- Designed for lift, pick-up and suspension applications in Class I, Group D; Class II, Groups E, F and G; and Class III hazardous locations containing flammable vapors, gases or combustible dust.
- Maximum operating capacity 25 amps, 600 volts AC/250 volts DC.
- Transfers safe, uninterrupted power or control signals for equipment requiring #18 to #10 gauge Type SO oil-resistant cable with 2 to 6 conductors.

### Features: All RL200E thru RL230E Series

- Compact size, light weight and rugged construction for long service with minimum maintenance.
- Factory pre-wired and sealed to large junction box for fast, easy installation.
- Safety ground through separate collector ring and frame provides positive grounding path.
- Lifetime-lubricated bearings reduce maintenance.
- Easy-to-remove cover provides quick access to springs. Cast threaded cover is removable for inspection of ring and brush assembly.
- Each spring is separately contained in a safety cartridge to eliminate danger during handling or replacement.
- Built-in cable locking ratchet is provided with all reels in this series and can be easily activated when required.
- Includes adjustable four-roller cable outlet guide. Other optional cable guides and swivel bases are available.

### Standard Materials

- Cast aluminum frame and steel reel-sides.
- Collector rings are copper.
- Brushes are high-density copper graphite.

### Standard Finish

- Red epoxy powder coat.

### Ordering Information

[For selection tables and other information, refer to index for this section. For general and technical information relating to all reels (e.g., cable data and motor wiring tables), see introductory Subsection W1.]

### 1. Specify complete catalog number.

To be complete, catalog number must include "RL" prefix followed by a three-digit number and two letters. Example: RL234NE is a catalog number for a specific model in the RL230E Series. For exact catalog number designations, see selection tables at the beginning of this section.

**2. Specify cable length, gauge, and number of conductors.** Cable pricing is found in Pricing Index, Schedule RC. To validate warranty, cable must be ordered with reel and factory installed to assure undivided responsibility for proper cable length, flexibility, installation and proper pretension of power springs.

**3. All Reelites in the RL200E thru RL230E Series include four-roller cable outlet guide shown.** Other outlet types are available at extra charge. See Accessories in this section.

**4. All Reelites in the RL200E thru RL230E Series are shipped with ratchets which are "locked out" for constant cable tension.** These ratchets can be easily field-activated where cable locking is desired.



**U.S. Patent No. 3,040,139  
Patented Canada 1972**

### Maximum Cable Capacity in Feet

No. of Cond.	#18	#16	#14	#12	#10
	RL200E thru RL230E Series*				
2	110	110	90	70	60
3	110	110	90	60	50
4	110	90	70	60	45
5	90	90	50	45	35
6	90	80	45	35	—

\*For specific catalog numbers, refer to the selection tables.

## Accessories for RL200E thru RL230E Series Explosionproof Reelites®

### Cable Locking Ratchets

Industrial Reelites normally provide for constant cable tension which automatically rewinds any excess or slack cable. In applications where constant tension is not desired after cable has been pulled out to the required length, a cable locking ratchet is available. When normal spring tension is again needed to rewind the cable, the ratchet can be released by a short tug.

Reelites in the RL200E thru RL230E Series are all supplied with ratchets. However, their ratchets are locked out so that constant tension is provided. If the ratchet is needed, it can be easily engaged in the field by the simple removal of two screws.

### Cable Outlets

Where cable payout is not in direct line with the reel drum, it is important that the proper cable outlet guide be selected to prevent cable damage

and excessive wear, minimize friction and provide proper cable piling on the drum.

For explanation of the various types of roller outlets and cable guides, refer to the brief description below and for applications, refer to introductory Subsection W1.

**Four-Roller Outlet:** General purpose cable guide allowing cable payout up to 30° in all directions from center.

**Swivel Outlet:** Allows cable payout at right angles to reel drum up to a total of 225°.

**Two-Roller Outlet and Guide Rails:** Allow two-way payout up to 180° in line with reel drum.

The following table identifies standard and optional cable roller outlets and guide rails available for the RL200E thru RL230E Series Reelites as well as the maximum cable diameter and payout arc which each roller outlet will

accommodate.

### Swivel Bases

Optional Swivel bases are available for RL200E thru RL230E Series Reelites as shown here.

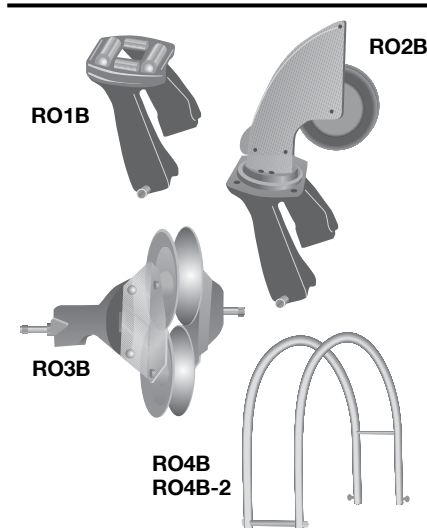
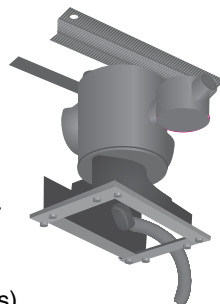
### 335° Limited Swivel Base

SBL-RL2 for RL200E thru RL230E Series Reelites



### 360° Continuous Swivel Base

SBRLE-4 (4 Conductors) and SBRLE-8 (8 conductors) for RL200E thru RL230E Series Reelites (25 Amps).



Reelite Series	Outlet Furnished Cat. No.	Optional Outlets Available*		Maximum Arc of Cable Bending	Largest Cable Dia. Recommended	
		Cat. No.	Type		Inches	Centimeters
RL200E	RO1B	RO1B	Four Roller	60°	0.750	1.91
RL210E		RO2B	Swivel Type	225°	0.750	1.91
		RO3B	Two Roller	180°	0.750	1.91
		RO4B	Guide Rail	—	—	—
RL220E	RO1B	RO1B	Four Roller	60°	0.750	1.91
RL230E		RO2B	Swivel Type	225°	0.750	1.91
		RO3B	Two Roller	180°	0.750	1.91
		RO4B-2	Guide Rail	—	—	—

\*Special Four-Roller and Swivel Type outlets are available for remote mounting; see "Accessories" at the end of this section.

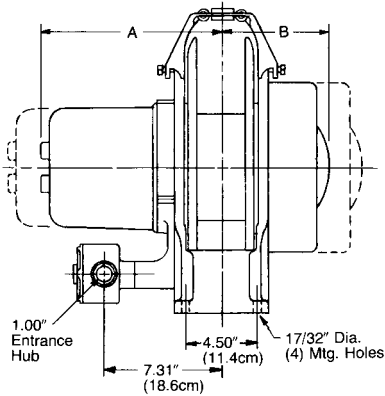
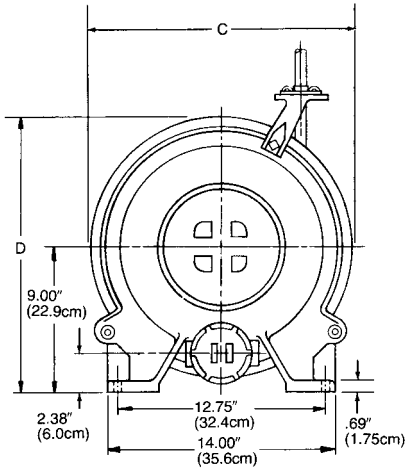
### Split Ball Stop Selection Guide

This table lists optional cable ball stops for the RL200E thru RL230E Series Reelites by cable type, wire size and number of conductors.

Cable Type	Wire Size A.W.G.	Number of Conductors													
		1	2	3	4	5	6	7	8	10	12	16	20	24	
SO	18	BS631	BS631	BS631	BS631	BS631	BS631	—	—	—	—	—	—	—	
	16	BS631	BS631	BS631	BS631	BS631	BS631	—	—	—	—	—	—	—	
	14	BS631	BS631	BS631	BS631	BS632	BS633	—	—	—	—	—	—	—	
	12	BS632	BS632	BS632	BS632	BS632	BS633	BS633	—	—	—	—	—	—	
	10	BS632	BS632	BS632	BS632	BS632	BS633	BS633	—	—	—	—	—	—	

Class I, Div. 1 and 2  
 Group D  
 Class II, Div. 1 and 2  
 Groups E,F,G  
 Class III

## Dimensions: RL200E thru RL230E Series Explosionproof Reelites®



Allow 15" (38cm) clearance for cover removal.

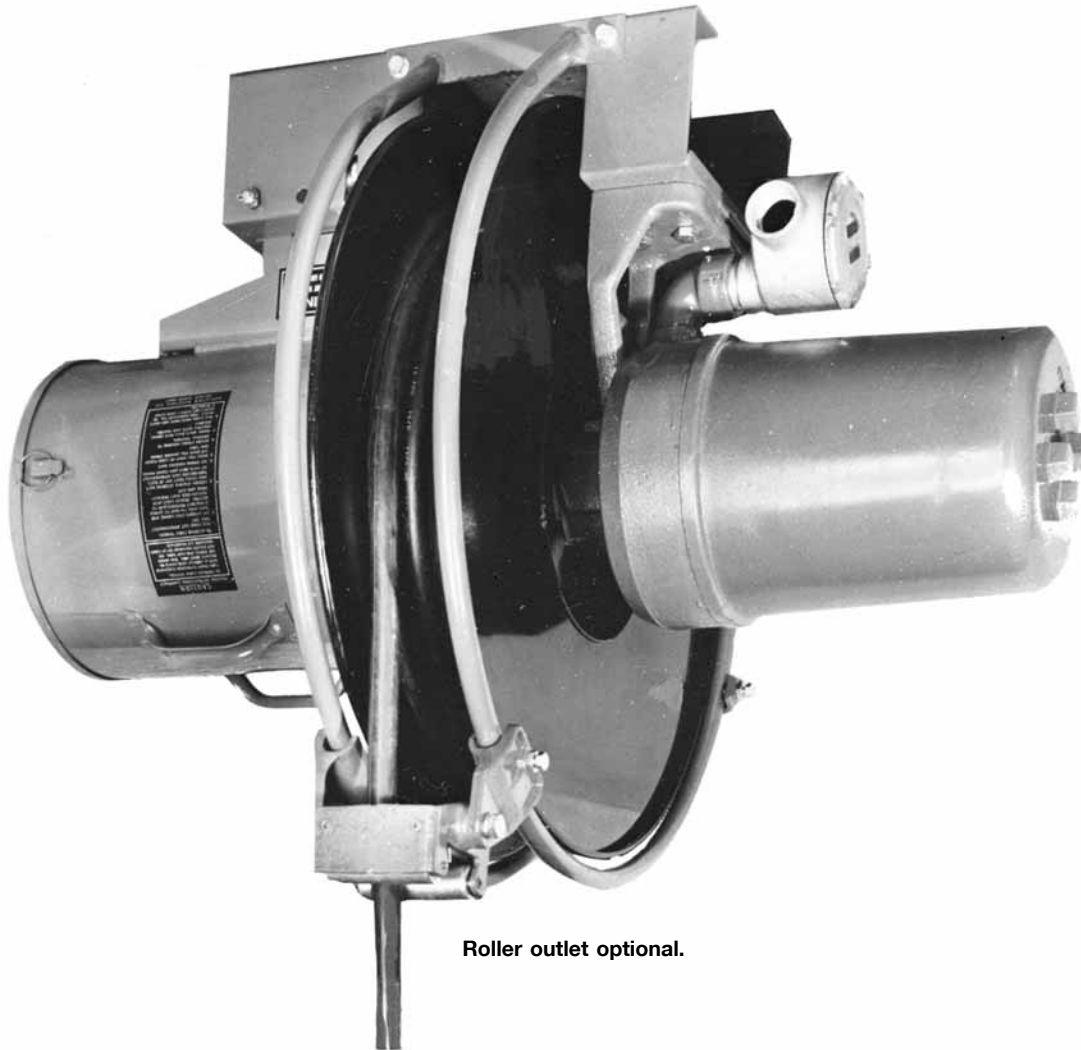
Cat. No.	No. of Cond.	Dimensions in Inches				Dim. in Centimeters			
		A	B	C	D	A	B	C	D
<b>RL200E and RL210E Series Dimensions</b>									
RL203E thru RL206E	3-6	11.25	6.88	15.25	16.38	28.6	17.5	38.7	41.6
RL213E thru RL216E	3-6	11.25	8.75	15.25	16.38	28.6	22.2	38.7	41.6
<b>RL220E and RL230E Series Dimensions</b>									
RL223E thru RL226E	3-6	11.25	6.88	16.00	17.00	28.6	17.5	40.6	43.2
RL233E thru RL236E	3-6	11.25	8.75	16.00	17.00	28.6	22.2	40.6	43.2



## RL300E thru RL500E Series Explosionproof Reelites®

Type SO Cable 18 to 10 Gauge 2 thru 24 Conductors

*For specific catalog numbers, refer to selection tables at the beginning of this section.*



Roller outlet optional.



Tilt-away Drive and  
unique spring-locking  
feature



Safety Spring  
Cartridge

**Class I, Div. 1 and 2  
Group D  
Class II, Div. 1 and 2  
Groups E,F,G  
Class III**

## RL300E thru RL500E Series Explosionproof Reelites®

Type SO Cable 18 to 10 Gauge 2 to 24 Conductors

*For specific catalog numbers, refer to selection tables at the beginning of this section.*

### Applications

- These spring-driven Reelites are designed for heavy industrial service for lift, pick-up or suspension applications in Class I, Group D; Class II, Groups E, F and G; and Class III hazardous locations containing flammable vapors, gases or combustible dust.
- Maximum operating capacity 35 amps, 600 volts AC/250 volts DC.
- Handles long cable lengths of up to 150 feet for safe, uninterrupted transfer of electric power or control signals to moving equipment requiring #18 to #10 gauge Type SO oil-resistant cable containing 2 to 24 conductors.

### Features

- Rugged steel construction for heavy-duty industrial applications.
- Modular design offers better availability, permitting quick assembly of standard components to meet special custom requirements for industrial applications up to 24 conductors.
- Factory pre-wired and sealed to large junction box for fast, easy installation.
- Safety ground through separate collector ring and frame provides positive grounding.
- Uni-block brushholder assembly assures true alignment and proper tension between high-density copper-graphite brushes and heavy-duty collector rings.
- Each spring is separately contained in a safety cartridge to eliminate danger during handling or replacement.
- Quick-change spring motor assembly with unique locking pin minimizes downtime.
- Tilt-away spring motor drive allows free-turning drum action for cable installation or modification.
- Safety clutch built into drum protects against possible spring damage during fast cable return or severed cable incident.
- Precision roller-bearing construction assures proper shaft alignment and longer, more maintenance-free operation.
- External shaft extension facilitates quick spring tension adjustment in the field.

- When constant cable tension is not desired, an optional non-gravity cable locking ratchet is available.

- Reels are supplied with cable guide rails. Four-roller cable outlet, other outlets and swivel bases are optional.

### Standard Materials

- Base, reelsides, guide rails, and other essential components are steel; other cast parts are malleable iron or aluminum.
- Brushes are high-density copper-graphite.
- Collector rings are copper.

### Standard Finish

- Red epoxy powder coat.

### Ordering Information

[For selection tables and other information, refer to index for this section. For general and technical information relating to all reels (e.g., cable data and motor wiring tables), see introductory Subsection W1.]

1. Specify complete catalog number. To be complete, catalog number for each model must include "RL" prefix followed by a three-digit number followed by the suffix "E." Example: RL342E is a catalog number for a specific model in the RL300E Series. Consult the selection tables at the beginning of this section for exact catalog number designations.
2. Specify cable length, gauge and number of conductors. Cable pricing is found in Pricing Index, Schedule

RC. To validate warranty, cable must be ordered with reel and factory installed to assure undivided responsibility for proper cable length, flexibility, installation and proper pre-tension of power springs.

3. All RL300E, RL400E and RL500E Series Reelites are supplied with cable guide rails. Where four-roller or other alternate cable outlet guides are required, refer to Accessories in this section.
4. RL300E, RL400E and RL500E Series Reelites can be supplied with a non-gravity type locking ratchet. Consult Accessories in this section. Add "RL300E Ratchet," "RL400E Ratchet," or "RL500E Ratchet" to order as appropriate. Add ratchet price from Pricing Index.



**Roller Outlet Optional**  
U.S. Patent Nos. 3,486,712 and 3,694,588  
Patented Canada 1972

### Maximum Cable Capacity in Feet

No. Cond.	RL300E Series*					RL400E Series*					RL500E Series*				
	#18	#16	#14	#12	#10	#18	#16	#14	#12	#10	#18	#16	#14	#12	#10
2	150	150	120	80	80	—	—	150	140	130	—	—	—	150	150
3	150	150	120	80	70	—	—	150	130	120	—	—	—	150	150
4	150	130	80	70	50	—	150	140	130	90	—	—	150	150	150
5	130	120	70	50	45	150	150	120	90	80	—	—	150	150	150
6	120	90	50	45	40	150	150	90	90	60	—	—	150	130	100
7	90	80	45	40	20	150	140	90	60	55	—	150	150	100	100
8	80	—	40	25	20	130	130	60	55	55	150	150	100	100	80
10	—	50	40	—	—	—	90	60	55	35	—	150	100	90	70
12	—	50	40	—	—	—	90	60	35	35	—	150	100	80	70
16	—	45	30	—	—	—	80	50	35	30	—	150	90	80	60
20	—	—	—	—	—	—	70	45	35	—	—	100	90	60	—
24	—	—	—	—	—	—	50	30	—	—	—	100	50	—	—

\*For specific catalog number, refer to the selection tables.

# W3-66

## Accessories: RL300E, RL400E and RL500E Series Explosionproof Reelites®

### Cable Locking Ratchets

Industrial Reelites normally provide for constant cable tension which automatically rewinds any excess or slack cable. In applications where constant tension is not desired after cable has been pulled out to the required length, a cable locking ratchet is available. When normal spring tension is again needed to rewind the cable, the ratchet can be released by a short tug.

Ratchets for RL300E, RL400E and RL500E Reelites are available as options at additional cost. Ordering designations are RL300E Ratchet, RL400E Ratchet and RL500E Ratchet.

### Cable Outlets

Where cable payout is not in direct line with the reel drum, it is important that the proper cable outlet guide be selected to prevent cable damage and excessive wear, minimize friction and provide

proper cable piling on the drum.

For explanation of the various types of roller outlets and cable guides, refer to the brief description below. For applications, refer to introductory Subsection W1.

**Four-Roller Outlet:** General purpose cable guide allowing cable payout up to 30° in all directions from center.

**Swivel Outlet:** Allows cable payout at right angles to reel drum up to a total of 225°.

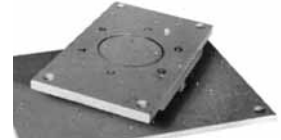
**Two-Roller Outlets and Guide Rails:** Allow two-way payout up to 180° in line with reel drum.

The following table identifies standard and optional cable roller outlets and guide rails available for the RL300E, RL400E and RL500E Series Reelites as well as the maximum cable diameter and payout arc which each outlet will accommodate.

### Swivel Bases

Optional Swivel bases are available for RL300E thru RL500E Series Reelites as shown here.

**335° Limited Swivel Base**  
SBL-RL3 for RL300E thru RL500E Series Reelites.



**360° Continuous Swivel Base**  
SBRLE-A4 (4 conductors) and SBRLE-A8 (8 conductors) for RL300E thru RL500E Series Reelites (35 amps).



Reelite Series	Outlet Furnished Cat. No.	Optional Outlets Available**		Max. Arc of Cable Bending	Largest Cable Dia. Recommended	
		Cat. No.	Type		Inches	Centimeters
RL300E	Guide	—	Guide Rails	—	—	—
RL344E	Rails*	<b>ROG-4A</b>	Four Roller	60°	1.125	2.86
RL400E		<b>SOG-1A</b>	Swivel Type	225°	1.125	2.86
RL464E		<b>COG-2A</b>	Two Roller	180°	1.125	2.86
RL500E						
RL553E						
RL465E	Guide	—	Guide Rails	—	—	—
RL497E	Rails*	<b>CO109W</b>	Four Roller	60°	1.750	4.45
RL554E						
RL584E		<b>CO333-26W</b>	Two Roller	180°	1.625	4.13



\*Guide rails are an integral part of these reels and are not removed when using cable outlets.  
\*\*Special Four-Roller and Swivel Type outlets are available for remote mounting; see "Accessories" at the end of this section.

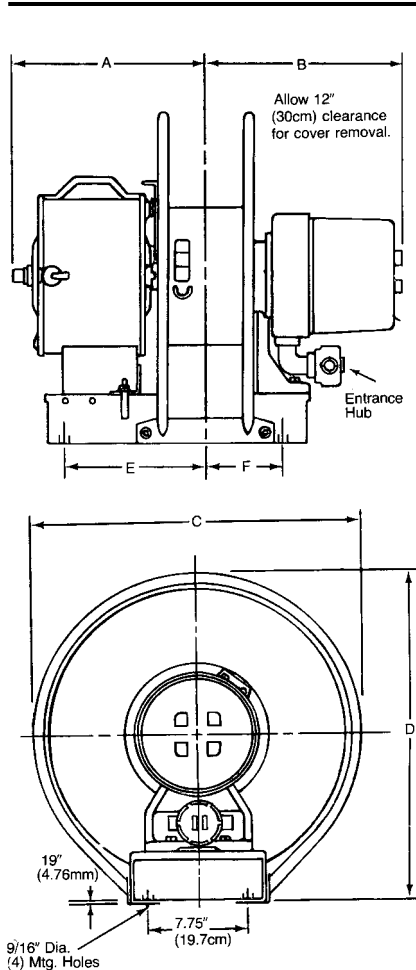
### Split Ball Stop Selection Guide (Note: Cable Outlet and Ratchet required.)

Table lists optional cable ball stops for the RL300E, RL400E and RL500E Series Reelites by cable type, wire size and number of conductors.

Cable Type	Wire Size A.W.G.	Number of Conductors													
		1	2	3	4	5	6	7	8	10	12	16	20	24	
SO	18	BS631	BS631	BS631	BS631	BS631	BS631	BS631	BS631	BS631	BS632	BS632	BS632	BS633	BS633
	16	BS631	BS631	BS631	BS631	BS631	BS631	BS631	BS631	BS631	BS632	BS633	BS633	BS633	BS640
	14	BS631	BS631	BS631	BS631	BS632	BS633	BS633	BS633	BS633	BS633	BS633	BS640	BS640	BS640
	12	BS632	BS632	BS632	BS632	BS633	BS633	BS633	BS633	BS633	BS633	BS640	BS640	BS640	BS640
	10	BS632	BS632	BS632	BS632	BS633	BS633	BS633	BS633	BS640	BS640	BS640	BS640	BS640	BS753

**Class I, Div. 1 and 2**  
**Group D**  
**Class II, Div. 1 and 2**  
**Groups E,F,G**  
**Class III**

## Dimensions: **RL300E, RL400E and RL500E Series** **Explosionproof Reelites®**



Cat. No.	Dimensions in Inches				Dim. in Centimeters			
	A	B	C	D	A	B	C	D
<b>RL300E Series Dimensions</b>								
RL300E thru RL302E	10.75	12.88	20.50	23.25	27.3	32.7	52.1	59.1
RL303E thru RL312E	14.38	12.88	20.50	23.25	36.5	32.7	52.1	59.1
RL313E	20.88	12.88	20.50	23.25	53.0	32.7	52.1	59.1
RL314E thru RL320E	10.75	15.13	20.50	23.25	27.3	38.4	52.1	59.1
RL321E thru RL329E	14.38	12.88	20.50	23.25	36.5	32.7	52.1	59.1
RL330E	10.75	15.13	20.50	23.25	27.3	38.4	52.1	59.1
RL331E thru RL334E	10.75	19.63	20.50	23.25	27.3	49.9	52.1	59.1
RL335E and RL336E	14.38	19.63	20.50	23.25	36.5	49.9	52.1	59.1
RL337E thru RL339E	10.75	19.63	20.50	23.25	27.3	49.9	52.1	59.1
RL340E and RL341E	10.75	19.63	20.50	23.25	27.3	49.9	52.1	59.1
RL342E	14.38	19.63	20.50	23.25	36.5	49.9	52.1	59.1
RL343E and RL344E	10.75	19.63	20.50	23.25	27.3	49.9	52.1	59.1
<b>RL400E Series Dimensions</b>								
RL400E	10.75	12.88	24.50	25.25	27.3	32.7	62.2	64.1
RL401E thru RL409E	14.38	12.88	24.50	25.25	26.5	32.7	62.2	64.1
RL410E thru RL417E	20.88	12.88	24.50	25.25	53.0	32.7	62.2	64.1
RL418E and RL419E	10.25	15.13	24.50	25.25	27.3	38.4	62.2	64.1
RL420E thru RL437E	14.38	15.13	24.50	25.25	36.5	38.4	62.2	64.1
RL438E thru RL444E	20.88	15.13	24.50	25.25	53.0	38.4	62.2	64.1
RL445E and RL446E	10.75	15.13	24.50	25.25	27.3	38.4	62.2	64.1
RL447E and RL448E	14.38	15.13	24.50	25.25	36.5	49.9	62.2	64.1
RL449E thru RL453E	14.38	19.63	24.50	25.25	36.5	49.9	62.2	64.1
RL454E and RL455E	14.38	19.63	24.50	25.25	36.5	49.9	62.2	64.1
RL456E thru RL459E	14.38	19.63	24.50	25.25	36.5	49.9	62.2	64.1
RL460E thru RL462E	10.75	19.63	24.50	25.25	27.3	49.9	62.2	64.1
RL463E and RL464E	14.38	19.63	24.50	25.25	36.5	49.9	62.2	64.1
RL465E thru RL469E	11.75	20.50	25.00	27.50	29.8	52.1	63.5	69.9
RL470E and RL471E	15.38	20.50	25.00	27.50	39.1	52.1	63.5	69.9
RL472E thru RL476E	11.75	20.50	25.00	27.50	29.8	52.1	63.5	69.9
RL477E thru RL489E	11.75	20.50	25.00	27.50	29.8	52.1	63.5	69.9
RL490E thru RL497E	15.38	20.50	25.00	27.50	39.1	52.1	63.5	69.9
<b>RL500E Series Dimensions</b>								
RL500E thru RL503E	14.38	12.88	28.50	29.00	36.5	32.7	72.4	73.7
RL504E thru RL513E	20.88	12.88	28.50	29.00	53.0	32.7	72.4	73.7
RL514E thru RL521E	14.38	15.13	28.50	29.00	36.5	38.4	72.4	73.7
RL522E thru RL532E	20.88	15.13	28.50	29.00	53.0	38.4	72.4	73.7
RL533E	14.38	15.13	28.50	29.00	36.5	38.4	72.4	73.7
RL534E and RL535E	20.88	15.13	28.50	29.00	53.0	38.4	72.4	73.7
RL536E thru RL540E	14.38	19.63	28.50	29.00	36.5	49.9	72.4	73.7
RL541E thru RL543E	20.88	19.63	28.50	29.00	53.0	49.9	72.4	73.7
RL544E and RL545E	14.38	19.63	28.50	29.00	36.5	49.9	72.4	73.7
RL546E	20.88	19.63	28.50	29.00	53.0	49.9	72.4	73.7
RL547E	14.38	19.63	28.50	29.00	36.5	49.9	72.4	73.7
RL548E and RL549E	20.88	19.63	28.50	29.00	53.0	49.9	72.4	73.7
RL550E and RL551E	14.38	19.63	28.50	29.00	36.5	49.9	72.4	73.7
RL552E and RL553E	20.88	19.63	28.50	29.00	53.0	49.9	72.4	73.7
RL554E thru RL557E	15.38	20.50	29.00	29.50	39.1	52.1	73.7	74.9
RL558E thru RL560E	20.88	20.50	29.00	29.50	53.0	52.1	73.7	74.9
RL561E thru RL564E	15.38	20.50	29.00	29.50	39.1	52.1	73.7	74.9
RL565E thru RL567E	20.88	20.50	29.00	29.50	53.0	52.1	73.7	74.9
RL568E thru RL573E	15.38	20.50	29.00	29.50	29.1	52.1	73.7	74.9
RL574E thru RL584E	20.88	20.50	29.00	29.50	53.0	52.1	73.7	74.9

Catalog Numbers	Entrance Hub Size	Dimensions in Inches (cm)	
		E	F
RL300E thru RL464E	1-1/4"	9.88 (25.1)	5.88 (14.9)
RL465E thru RL497E	1-1/2"	11.00 (27.9)	7.00 (17.8)
RL500E thru RL553E	1-1/4"	9.88 (25.1)	5.88 (14.9)
RL554E thru RL584E	1-1/2"	11.00 (27.9)	11.00 (27.9)

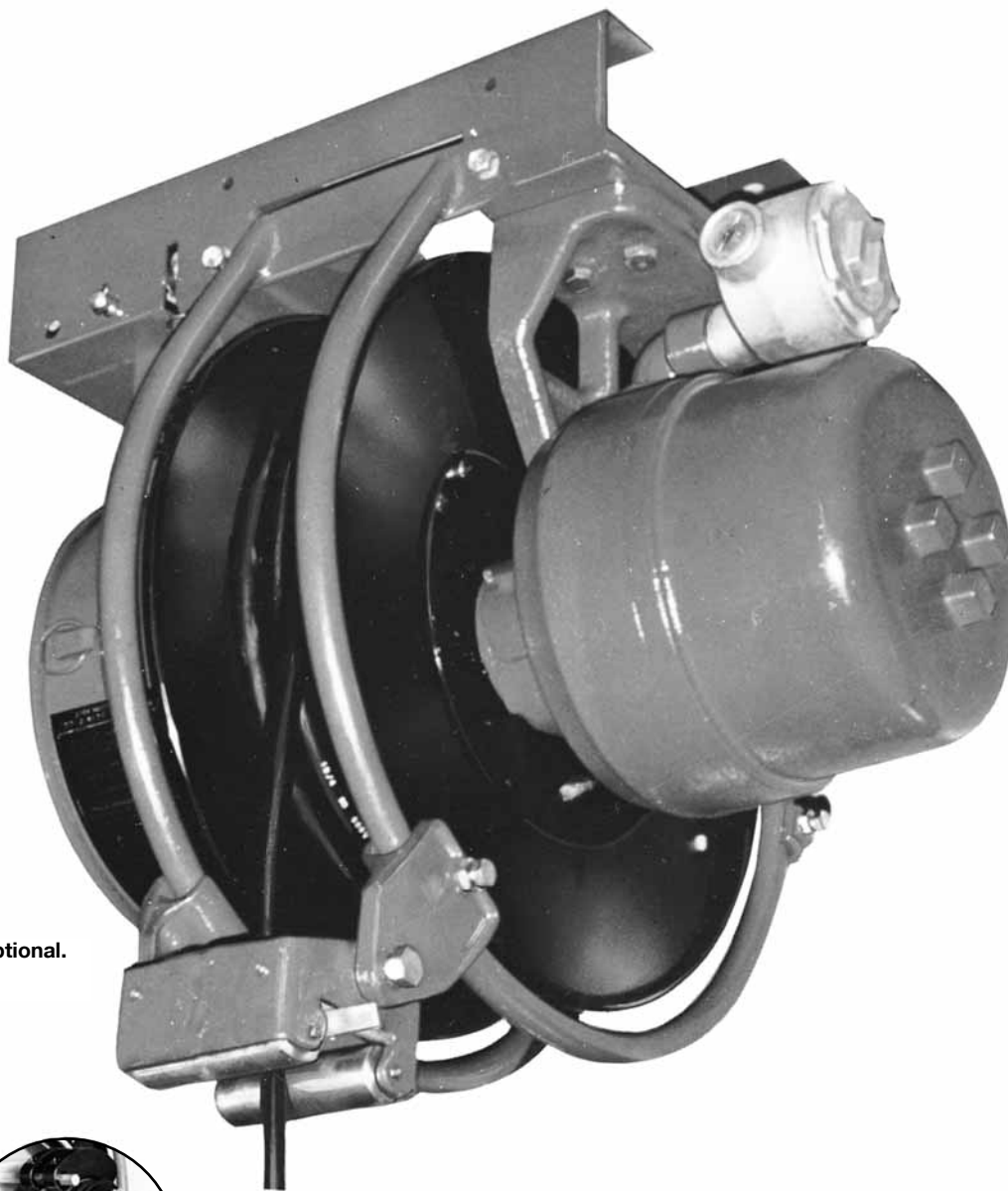
# W3-68

Class I, Div. 1 and 2  
Group D  
Class II, Div. 1 and 2  
Groups E,F,G  
Class III

## RW300E thru RW500E Series Explosionproof Reelites®

Type W or Type G Cable 8 to 2 Gauge 1 to 4 Conductors

*For specific catalog numbers, refer to selection tables at the beginning of this section.*



Roller outlet optional.



Uni-block Brushholder  
Assembly

**Class I, Div. 1 and 2  
Group D  
Class II, Div. 1 and 2  
Groups E,F,G  
Class III**

## RW300E thru RW500E Series Explosionproof Reelites®

Type W or Type G Cable 8 to 2 Gauge 1 to 4 Conductors

*For specific catalog numbers, refer to selection tables at the beginning of this section.*

### Applications

- These spring-driven Reelites are designed for heavy industrial service in lift, pick-up or suspension applications in Class I, Group D; Class II, Groups E, F and G; and Class III hazardous locations containing flammable vapors, gases or combustible dust.
- Maximum operating capacity 75 amps, 600 volts AC/250 volts DC.
- Handles long lengths up to 150 feet of heavy power cable to supply equipment requiring #8 to #2 gauge Type W or Type G oil-resistant cable.

### Features

- Rugged steel construction for heavy-duty industrial applications.
- Modular design offers prompt availability, permitting quick assembly of standard components where reels for heavy or special power loads are required.
- Factory pre-wired and sealed to large junction box for fast, easy installation.
- Safety ground through separate collector ring and frame provides positive grounding.
- Large high-density copper-graphite brushes and copper collector rings assure optimum transfer of heavy power loads.
- Each spring is separately contained in a safety cartridge to eliminate danger during handling or replacement.
- Quick-change spring motor assembly with unique locking pin minimizes downtime.
- Tilt-away spring motor allows free-turning drum action for cable installation or modification.
- Safety clutch built into drum protects against possible spring damage during fast cable return or severed cable incident.
- Precision roller-bearing construction assures free shaft alignment and longer, more maintenance-free operation.
- External shaft extension facilitates quick spring tension adjustment in the field.
- When constant cable tension is not desired, an optional non-gravity cable

locking ratchet is available.

- Reels are supplied with cable guide rails. Four-roller cable outlet, other outlets and swivel bases are optional.

### Standard Materials

- Base, reelsides, guide rails, and other essential components are steel; other cast parts are malleable iron or aluminum.
- Brushes are high-density copper-graphite.
- Collector rings are copper.

### Standard Finish

- Red epoxy powder coat.

### Ordering Information

[For selection tables and other information relating to reels in this series, refer to index for this section. For general and technical information relating to all reels (e.g., cable data and motor wiring tables), see introductory Subsection W1.]

1. Specify complete catalog number. To be complete, catalog number for each model must include "RW" plus a three-digit number followed by the suffix "E." Example: RW457E is a catalog number for a specific model in the RW400E Series. Refer to selection tables at the beginning of this section for exact catalog number designations.
2. Specify cable length, gauge and number of conductors. Cable pricing is found in Pricing Index, Schedule RC. To validate warranty, cable must be ordered with reel and factory installed to assure undivided

responsibility for proper cable length, flexibility, installation and proper pre-tension of power springs.

3. All Reelites in the RW300E, RW400E and RW500E Series have guide rails. Where four-roller or other alternate cable outlet guides are required, refer to Accessories in this section.
4. Reelites in this series are normally supplied for constant cable tension. If application requires a cable locking ratchet, consult Accessories in this section. Add "RW300E Ratchet," "RW400E Ratchet," or "RW500E Ratchet" to order as appropriate. Add ratchet price from Pricing Index.



Roller Outlet Optional

**U.S. Patent Nos. 3,486,712 and 3,694,588  
Patented Canada 1972**

### Maximum Cable Capacity in Feet

No. Cond.	RW300E Series*					RW400E Series*					RW500E Series*				
	#8	#6	#4	#3	#2	#8	#6	#4	#3	#2	#8	#6	#4	#3	#2
1	150	130	120	70	60	—	150	150	120	110	—	—	—	150	150
2	50	40	35	—	—	90	70	55	50	35	140	110	90	80	70
3	40	30	—	—	—	70	60	50	35	35	110	100	80	70	60
4	40	25	—	—	—	60	55	30	35	30	100	90	70	60	50

\*For specific catalog numbers, refer to the selection tables.

# W3-70

## Accessories: RW300E, RW400E and RW500E Series Explosionproof Reelites®

### Cable Locking Ratchets

Industrial Reelites normally provide for constant cable tension which automatically rewinds any excess or slack cable. In applications where constant tension is not desired after cable has been pulled out to the required length, a cable locking ratchet is available. When normal spring tension is again needed to rewind the cable, the ratchet can be released by a short tug.

Ratchets for RW300E, RW400E and RW500E Reelites are available as options at additional cost. Ordering designations are RW300E Ratchet, RW400E Ratchet and RW500E Ratchet.

### Cable Outlets

Where cable payout is not in direct line with the reel drum, it is important that the proper cable outlet guide be selected to prevent cable damage

and excessive wear, minimize friction and provide proper cable piling on the drum.

For explanation of the various types of roller outlets and cable guides, refer to the brief description below. For applications, refer to introductory Subsection W1.

**Four-Roller Outlet:** General purpose cable guide allowing cable payout up to 30° in all directions from center.

**Swivel Outlet:** Allows cable payout at right angles to reel drum up to a total of 225°.

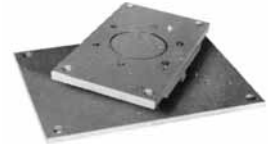
**Two-Roller Outlets and Guide Rails:** Allow two-way payout up to 180° in line with reel drum.

The following table identifies standard and optional cable roller outlets and guide rails available for the RW300E, RW400E and RW500E Series Reelites as well as the maximum cable diam-

eter and payout arc which each outlet will accommodate.

### Swivel Bases

Optional swivel bases are available for RW300E thru RW500E Series Reelites as shown here.

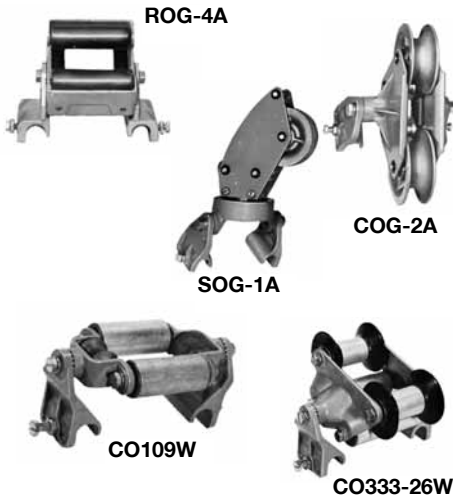


**335° Limited Swivel Base**  
SBL-RW3 for RW300E thru RW500E Series Reelites.



**360° Continuous Swivel Base**  
SBRWE-B4 for RW300E thru RW500E Series Reelites (75 Amps, 4 Conductors)

Reelite Series	Outlet Furnished Cat. No.	Optional Outlets Available**		Max. Arc of Cable Bending	Largest Cable Dia. Recommended	
		Cat. No.	Type		Inches	Centimeters
RW300E	Guide	—	Guide Rails	—	—	—
RW328E	Rails*	<b>ROG-4A</b>	Four Roller	60°	1.125	2.86
RW400E		<b>SOG-1A</b>	Swivel Type	225°	1.125	2.86
RW422E		<b>COG-2A</b>	Two Roller	180°	1.125	2.86
RW500E						
RW513E						
RW450E	Guide	—	Guide Rails	—	—	—
RW469E	Rails*	<b>CO109W</b>	Four Roller	60°	1.750	4.45
RW550E						
RW567E		<b>CO333-26W</b>	Two Roller	180°	1.625	4.13



\*Guide rails are an integral part of these reels and are not removed when using cable outlets.  
\*\*Special Four-Roller and Swivel Type outlets are available for remote mounting; see "Accessories" at the end of this section.

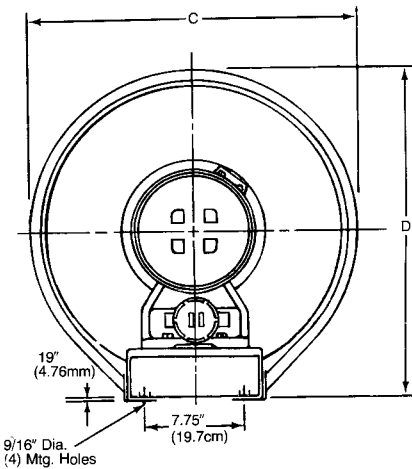
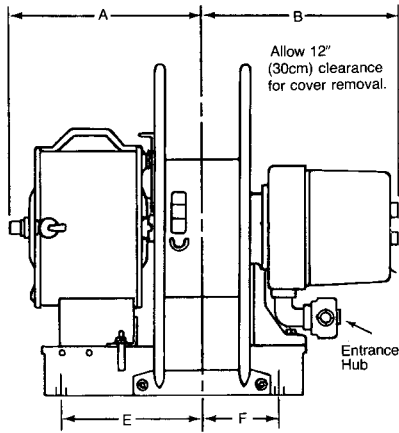
### Split Ball Stop Selection Guide (Note: Cable Outlet and Ratchet required.)

Table lists optional cable ball stops for the RW300E, RW400E and RW500E Series Reelites by cable type, wire size and number of conductors.

Cable Type	Wire Size A.W.G.	Number of Conductors													
		1	2	3	4	5	6	7	8	10	12	16	20	24	
W	8	BS740	BS751	BS751	BS751	—	—	—	—	—	—	—	—	—	—
	6	BS740	BS751	BS751	BS752	—	—	—	—	—	—	—	—	—	
	4	BS740	BS752	BS752	BS752	—	—	—	—	—	—	—	—	—	
	3	BS740	BS752	BS752	BS752	—	—	—	—	—	—	—	—	—	
	2	BS740	BS752	BS752	BS753	—	—	—	—	—	—	—	—	—	

Class I, Div. 1 and 2  
 Group D  
 Class II, Div. 1 and 2  
 Groups E,F,G  
 Class III

## Dimensions: RW300E, RW400E and RW500E Series Explosionproof Reelites®



Cat. No.	Dimensions in Inches				Dim. in Centimeters			
	A	B	C	D	A	B	C	D
<b>RW300E Series Dimensions</b>								
RW300E thru RW314E	10.75	19.50	20.50	23.25	27.3	49.5	52.1	59.1
RW315E thru RW325E	14.38	19.50	20.50	23.25	36.5	49.5	52.1	59.1
RW326E thru RW328E	20.88	19.50	20.50	23.25	53.0	49.5	52.1	59.1
<b>RW400E Series Dimensions</b>								
RW400E and RW401E	10.00	19.50	24.50	25.25	25.4	49.5	62.2	64.1
RW402E thru RW418E	14.38	19.50	24.50	25.25	36.5	49.5	62.2	64.1
RW419E thru RW422E	20.88	19.50	24.50	25.25	53.0	49.5	62.2	64.1
RW450E thru RW461E	11.75	20.50	25.00	27.50	29.8	52.1	63.5	69.9
RW462E thru RW467E	15.38	20.50	25.00	27.50	39.1	52.1	63.5	69.9
RW468E and RW469E	20.88	20.50	25.00	27.50	53.0	52.1	63.5	69.9
<b>RW500E Series Dimensions</b>								
RW500E and RW501E	14.38	19.50	28.50	28.75	36.5	49.5	72.4	73.0
RW502E thru RW513E	20.88	19.50	28.50	28.75	53.0	49.5	72.4	73.0
RW550E thru RW553E	15.38	20.50	29.00	29.50	39.1	52.1	73.7	74.9
RW554E and RW555E	20.88	20.50	29.00	29.50	53.0	52.1	73.7	74.9
RW556E thru RW567E	21.50	20.50	29.00	29.50	54.6	52.1	73.7	74.9

Catalog Numbers	Entrance Hub Size	Dimensions in Inches (cm)	
		E	F
RW300E thru RW422E	1-1/4"	10.00 (25.4)	5.75 (14.6)
RW450E thru RW469E	1-1/2"	11.25 (28.6)	7.00 (17.8)
RW500E thru RW513E	1-1/4"	10.00 (25.4)	5.75 (14.6)
RW550E thru RW567E	1-1/2"	11.25 (28.6)	7.00 (17.8)

## Accessories: Explosionproof Reelites®: Cable Locking Ratchets

Industrial Reelites normally provide constant cable tension which automatically rewinds any excess or slack cable. In applications where constant tension is not desired after cable has

been pulled out to the required length, a non-sparking cable locking ratchet is available. When normal spring tension is again needed to rewind the cable, the ratchet can be released by a short

tug. The table below shows by Reelite series whether cable locking ratchets are standard or are optional at additional cost.

Reelite Series	Standard or Optional	Ratchet Catalog Number
AERL	Standard*	—
RL200E thru RL230E	Standard*	—
RL300E	Optional	RL300ERatchet
RL400E	Optional	RL400ERatchet
RL500E	Optional	RL500ERatchet
RW300E	Optional	RW300ERatchet
RW400E	Optional	RW400ERatchet
RW500E	Optional	RW500ERatchet

\*Reelites in the AERL and RL200E thru RL230E Series are supplied with their ratchets locked out so that constant tension is provided. If the ratchet is needed, it can be easily engaged in the field by the simple removal of two screws. Model AERL22-RB5 has the ratchets engaged.

**Class I, Div. 1 and 2  
Group D  
Class II, Div. 1 and 2  
Groups E,F,G  
Class III**

## Accessories: Explosionproof Reelites®: Cable Outlets

### Cable Outlets

Where cable payout is not in direct line with the reel drum, it is important that the proper cable outlet guide be selected to prevent cable damage and excessive wear, minimize friction and provide proper cable piling on the drum.

For explanation of the various types of roller outlets and cable guides, refer to

the brief description below. For applications, refer to introductory Subsection W1.

**Four-Roller Outlet:** General purpose cable guide allowing cable payout up to 30° in all directions from center.

**Swivel Outlet:** Allows cable payout at right angles to reel drum up to a total of 225°.

**Two-Roller Outlets and Guide Rails:** Allow two-way payout up to 180° in line with reel drum.

The following table identifies standard and optional cable roller outlets and guide rails available for each Reelite series as well as the maximum cable diameter and payout arc which each outlet will accommodate.

Reelite Series	Outlet Furnished Cat. No.	Optional Outlets Available		Permissible Arc of Cable Bending	Largest Cable Dia. Recommended	
		Cat. No.	Type		Inches	Centimeters
AERL, RL200E and RL210E	RO1B	RO1B	Four Roller	60°	0.750	1.91
		RO2B	Swivel Type	225°	0.750	1.91
		RO3B	Two Roller	180°	0.750	1.91
		RO4B	Guide Rails	—	—	—
RL220E and RL230E	RO1B	RO1B	Four Roller	60°	0.750	1.91
		RO2B	Swivel Type	225°	0.750	1.91
		RO3B	Two Roller	180°	0.750	1.91
		RO4B-2	Guide Rails	—	—	—
RL300E thru RL344E RL400E thru RL464E RL500E thru RL553E	Guide Rails*	—	Guide Rails	—	—	—
		ROG-4A	Four Roller	60°	1.125	2.86
		SOG-1A	Swivel Type	225°	1.125	2.86
		COG-2A	Two Roller	180°	1.125	2.86
RL465E thru RL497E RL554E thru RL584E	Guide Rails*	—	Guide Rails	—	—	—
		CO109W	Four Roller	60°	1.750	4.45
		CO333-26W	Two Roller	180°	1.625	4.13
RW300E thru RW328E RW400E thru RW422E RW500E thru RW513E	Guide Rails*	—	Guide Rails	—	—	—
		ROG-4A	Four Roller	60°	1.125	2.86
		SOG-1A	Swivel Type	225°	1.125	2.86
		COG-2A	Two Roller	180°	1.125	2.86
RW450E thru RW469E RW550E thru RW567E	Guide Rails*	—	Guide Rails	—	—	—
		CO109W	Four Roller	60°	1.750	4.45
		CO333-26W	Two Roller	180°	1.625	4.13
For remote mounting	—	COS1A	Four Roller	60°	0.750	1.91
		ROG-5A	Four Roller	60°	1.125	2.86

\*Guide rails are an integral part of these reels and are not removed when using cable outlets.

## Accessories: Explosionproof Reelites®: Cable Outlets

### Four-Roller Outlets



### Two-Roller Outlets



### Guide Rails



RO4B-2

### Swivel Outlets



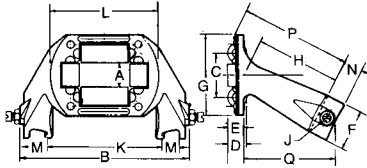
### Remotely Mounted Outlets



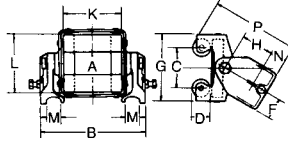
W

## Accessories: Explosionproof Reelites®: Cable Outlet Dimensions

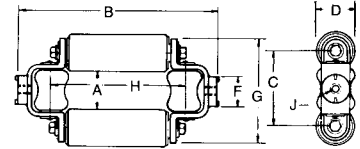
### Four-Roller Outlets



RO1B

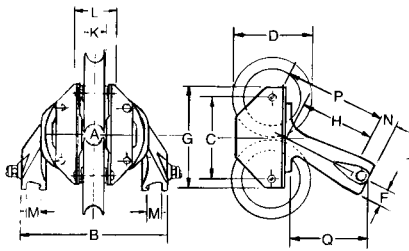


ROG-4A

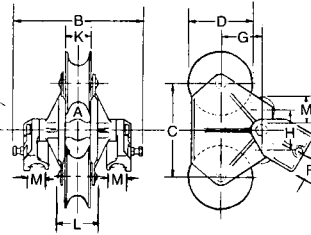


CO109W

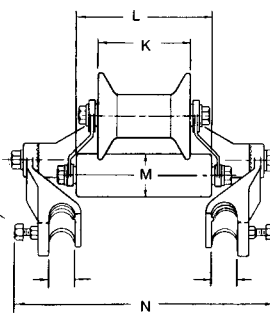
### Two-Roller Outlets



RO3B

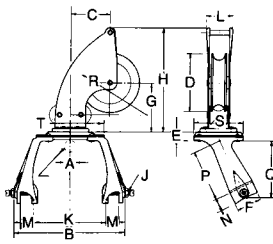


COG-2A

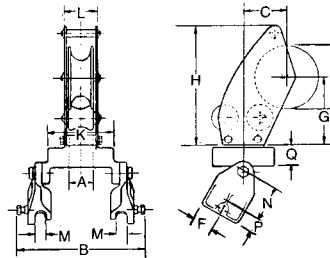


CO333-26W

### Swivel Outlets

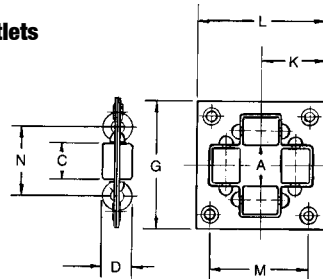


RO2B

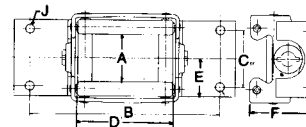


SOG-1A

### Remotely Mounted Outlets



COS1A



ROG-5A



## Accessories: Explosionproof Reelites®: Cable Outlet Dimensions

Cat. No.	Dimensions in Inches																	
	A	B	C	D	E	F	G	H	J	K	L	M	N	P	Q	R	S	T
RO1B	1.00 x 2.00	7.31	1.75	0.75	0.63	1.63	3.25	3.38	5/16-18	4.63	4.38	0.81	0.81	4.50	3.75	—	—	—
ROG-4A	1.50 x 2.50	7.25	2.75	1.25	—	1.44	4.63	2.22	—	4.06	4.06	1.00	1.09	6.19	—	—	—	—
CO109W	2.00 x 4.75	9.75	4.00	2.00	—	1.50	5.50	6.25	1/2-13	—	—	—	—	—	—	—	—	—
RO3B	0.81	6.94	3.88	3.75	—	0.88	4.75	3.44	—	1.00	1.94	0.75	0.81	4.69	3.75	—	—	—
COG-2A	1.50	8.81	6.38	4.31	—	1.44	2.75	2.75	—	1.75	2.69	1.00	—	—	—	—	—	—
CO333-26W	1.75 x 2.38	9.63	6.75	4.00	0.75	—	2.75	3.75	—	4.25	6.25	2.00	1.88	—	—	—	—	—
RO2B	0.88	7.31	2.63	3.75	0.63	1.63	3.13	6.75	5/16-18	4.63	1.75	0.81	0.81	3.38	3.75	5.00	3.25	4.38
SOG-1A	1.63	8.63	2.94	4.31	—	1.50	4.63	8.19	—	4.50	2.25	0.88	2.13	1.13	1.50	—	—	—
COS1A	1.00	—	0.94	0.75	—	—	3.25	—	9/32 dia.	1.625	3.25	2.50	1.75	—	—	—	—	—
ROG-5A	2.50 x 3.50	10.00	3.00	5.00	2.00	3.38	—	—	17/32 dia.	—	—	—	—	—	—	—	—	—

Cat. No.	Dimensions in Centimeters																	
	A	B	C	D	E	F	G	H	J	K	L	M	N	P	Q	R	S	T
RO1B	2.5 x 5.1	18.6	4.4	1.9	1.6	4.1	8.3	8.6	0.79-45.7	11.8	11.1	2.1	2.1	11.4	9.5	—	—	—
ROG-4A	3.8 x 6.4	18.4	7.0	3.2	—	3.7	11.8	5.6	—	10.3	10.3	2.5	2.8	15.7	—	—	—	—
CO109W	5.1 x 12.1	24.8	10.2	5.1	—	3.8	14.0	15.9	1.3-33.0	—	—	—	—	—	—	—	—	—
RO3B	2.1	17.6	9.9	9.5	—	2.2	12.1	8.7	—	2.5	4.9	1.9	2.1	11.9	9.5	—	—	—
COG-2A	3.8	22.3	16.2	10.9	—	3.7	7.0	7.0	—	4.4	6.8	2.5	—	—	—	—	—	—
CO333-26W	4.4 x 6.0	24.5	17.1	10.2	1.9	—	7.0	9.5	—	10.8	15.9	5.1	30.2	—	—	—	—	—
RO2B	2.2	18.6	6.7	9.5	1.6	4.1	8.0	17.1	0.79-45.7	11.8	4.4	2.1	2.1	8.6	9.5	12.7	8.3	11.1
SOG-1A	4.1	21.9	7.5	10.9	—	3.8	11.8	20.8	—	11.4	5.7	2.2	5.4	2.9	3.8	—	—	—
COS1A	2.5	—	2.4	1.9	—	—	8.3	—	0.7 dia.	4.1	8.3	6.4	4.4	—	—	—	—	—
ROG-5A	6.4 x 8.9	25.4	7.6	12.7	5.1	8.6	—	—	1.4 dia.	—	—	—	—	—	—	—	—	—

## Accessories: Explosionproof Reelites®: Swivel Bases

### Explosionproof 335° Limited Swivel Bases



SBL-RL2 for AERL and RL200E  
thru RL230E Series Reelites



SBL-RL3 for RL300E, RL400E  
and RL500E Series Reelites



SBL-RW3 for RW300E, RW400E  
and RW500E Series Reelites

### Explosionproof 360° Continuous Swivel Bases



SBRWE-B4  
75 Amperes  
600 Volts AC



SBRLE-4 and  
SBRLE-A4  
35 Amperes  
600 Volts AC

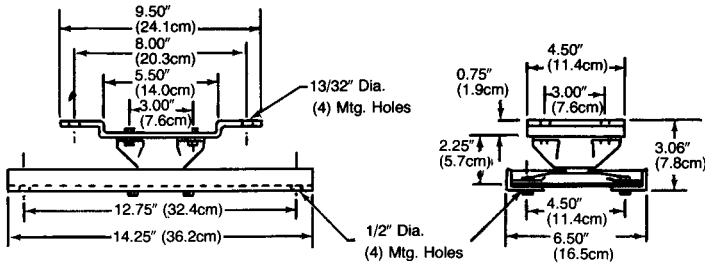
SBRLE-8 and  
SBRLE-A8  
35 Amperes  
600 Volts AC

Reelite Series	No. of Cond.	Swivel Base Cat. No.
AERL, RL200E thru RL230E	4	SBRLE-4
RL200E thru RL230E	8	SBRLE-8
RL300E thru RL500E	4	SBRLE-A4
RL300E thru RL500E	8	SBRLE-A8
RW300E thru RW500E	4	SBRWE-B4

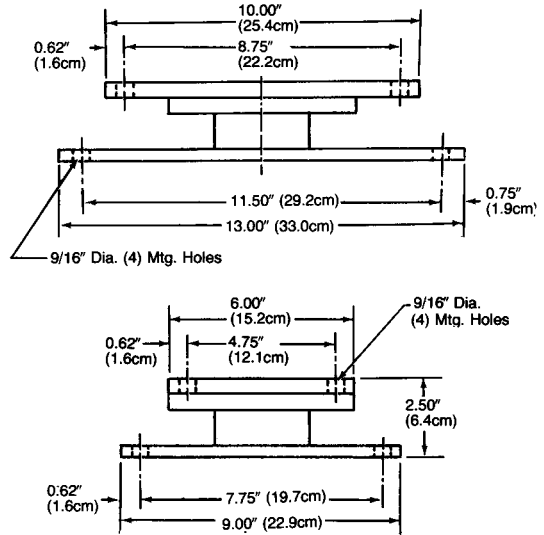
## Accessories: Explosionproof Reelites®: Swivel Bases

### 335° Limited Swivel Base Dimensions

#### SBL-RL2

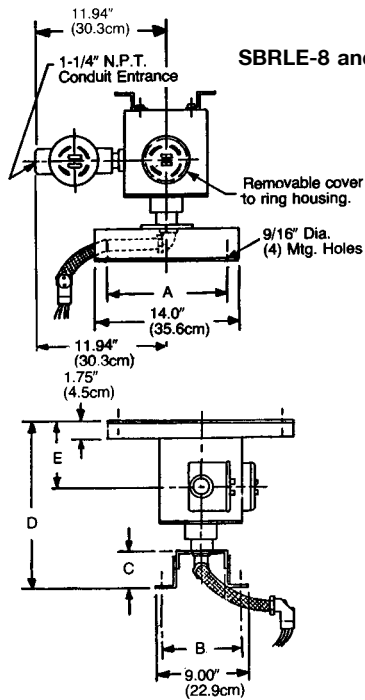


#### SBL-RL3 and SBL-RW3 Series

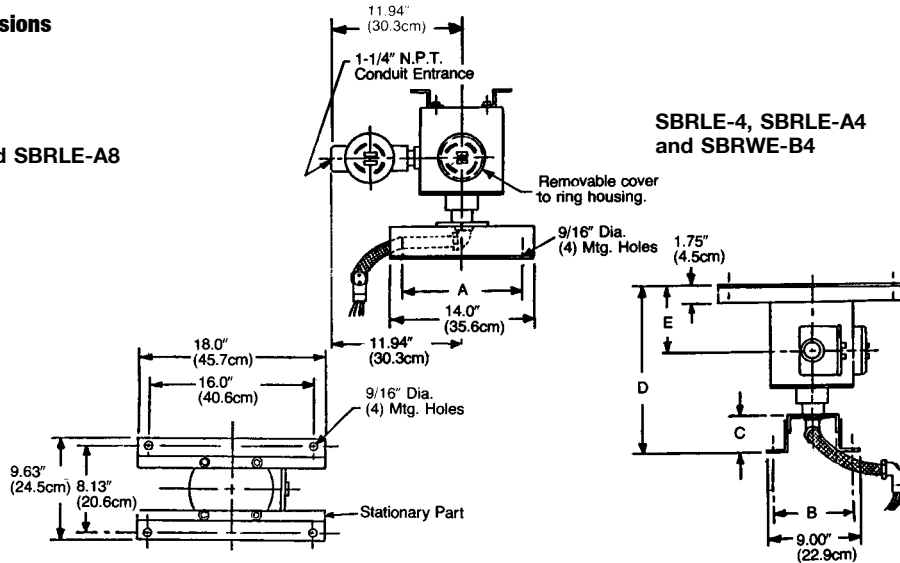


### 360° Continuous Swivel Base Dimensions SBRLE and SBRWE Series

#### SBRLE-8 and SBRLE-A8



#### SBRLE-4, SBRLE-A4 and SBRWE-B4



Cat. No.	Dimensions in Inches					Dimensions in Centimeters				
	A	B	C	D	E	A	B	C	D	E
SBRLE-4	12.75	4.50	3.88	14.00	5.06	32.4	11.4	9.9	35.6	12.9
SBRLE-A4	11.50	7.75	3.50	13.63	5.06	29.2	29.0	25.1	34.6	12.9
SBRLE-8	12.75	4.50	3.88	16.25	7.31	32.4	11.4	9.9	41.3	18.6
SBRLE-A8	11.50	7.75	3.50	15.88	7.31	29.2	29.0	25.1	40.3	18.6
SBRWE-B4	11.50	7.75	3.50	15.88	7.31	29.2	29.0	25.1	40.3	18.6

## Accessories: Explosionproof Reelites®: Split Ball Stops and Grounded Handlamp

### Split Ball Stop Selection Guide

This table lists cable ball stops by Reelite series, cable type, wire size and number of conductors.

Reelite Series	Cable Type	Wire Size A.W.G.	Number of Conductors														
			1	2	3	4	5	6	7	8	10	12	16	20	24		
AERL	SO	18	—	—	—	—	—	—	—	—	—	—	—	—	—		
		16	—	—	BS631	BS631	—	—	—	—	—	—	—	—	—		
		14	—	—	BS631	BS631	—	—	—	—	—	—	—	—	—		
RL200E thru RL230E	SO	18	BS631	BS631	BS631	BS631	BS631	BS631	BS631	BS631	BS631	—	—	—	—		
		16	BS631	BS631	BS631	BS631	BS631	BS631	BS631	BS631	BS631	—	—	—	—		
		14	BS631	BS631	BS631	BS631	BS632	BS633	BS633	BS633	BS633	—	—	—	—		
		12	BS632	BS632	BS632	BS632	BS633	BS633	BS633	BS633	BS633	—	—	—	—		
		10	BS632	BS632	BS632	BS632	BS633	BS633	BS633	BS633	BS640	—	—	—	—		
RL300E thru RL500E (Note: Cable Outlet and Ratchet req.)	SO	18	BS631	BS631	BS631	BS631	BS631	BS631	BS631	BS631	BS631	BS632	BS632	BS632	BS633	BS633	
		16	BS631	BS631	BS631	BS631	BS631	BS631	BS631	BS631	BS631	BS632	BS633	BS633	BS633	BS640	BS640
		14	BS631	BS631	BS631	BS631	BS632	BS633	BS633	BS633	BS633	BS633	BS633	BS640	BS640	BS640	BS640
		12	BS632	BS632	BS632	BS632	BS633	BS633	BS633	BS633	BS633	BS640	BS640	BS640	BS640	BS640	BS640
		10	BS632	BS632	BS632	BS632	BS633	BS633	BS633	BS633	BS640	BS640	BS640	BS640	BS640	BS640	BS753
RW300E thru RW500E (Note: Cable Outlet and Ratchet req.)	W	8	BS740	BS751	BS751	BS751	—	—	—	—	—	—	—	—	—	—	
		6	BS740	BS751	BS751	BS752	—	—	—	—	—	—	—	—	—	—	—
		4	BS740	BS752	BS752	BS752	—	—	—	—	—	—	—	—	—	—	—
		3	BS740	BS752	BS752	BS752	—	—	—	—	—	—	—	—	—	—	—
		2	BS740	BS752	BS752	BS753	—	—	—	—	—	—	—	—	—	—	—

### Explosionproof Handlamp



#### EHL100N — Explosionproof 100W Portable Handlamp

Laminated Phenolic Handle.  
Wiring Connection Block takes #16 wire.

UL Listed  
Class I, Groups C and D  
**Note:** When used with Explosionproof Reelites suitable for Class I, Group D, **ONLY**.

Consult factory for spring requirements when used with Reelite. For 16-3 AWG Type SO Power Cord **ONLY**

18.5" Length x 5" Dia., 4.0 lbs.

