









HID/Incandescent Floodlighting

		Page	Description
		1-4	Areamaster™ Jr. Integrally ballasted floodlights for 175W or 100W metal halide or 150W, 100W, 70W or 50W high pressure sodium medium base lamps.
Areamaster™ Jr.	Areamaster™ 100	5-6	Portable Areamaster™ Jr. 175W metal halide or 150W high pressure sodium.
		7-9	Areamaster™ 100 Integrally ballasted floodlights for 150W, 100W or 70W high pressure sodium lamps or 100W mercury vapor lamps
Areamaster™ 250/400	Areamaster™ 1000	10-15	Areamaster™ 250/400 Integrally ballasted floodlights for 400W, 250W, 150W, 100W or 70W high pressure sodium lamps; 400W, 250W, or 175W metal halide lamps; 400W, 320W, 250W or 200W pulse start metal halide lamps; and 400W, 250W or 175W mercury vapor lamps
		16-18	Areamaster™ 1000 Integrally ballasted floodlights for 1000W high pressure sodium lamps; 1000W or 1500W metal halide lamps, or 1000W mercury vapor lamps
Quartzlite™ 500	Quartzlite™ 1500	19-21	Quartzlite™ 300 and 1500 Weatherproof floodlights for 300W thru 1500W quartz tungsten halogen lamps
		22	Quartzlite™ 50 Weatherproof floodlights for 300W thru 500W quartz tungsten halogen lamps
Beam-Master™ with Ballast	Explosionproof Floodlight	23-25	Beam-Master™ with Integral Ballast General purpose and heavy duty floodlights with ballast for 400W, 1000W and 1500W metal halide lamps and 400W and 1000W high pressure sodium lamps
		26-27	Explosionproof Floodlights Cast aluminum floodlights for 150W or 300W reflector incandescent lamps
		28-29	Supplementary Photometric Information

Areamaster Jr.™ HID Wide-Beam Floodlights

Integrally ballasted for 150W, 100W, 70W or 50W High Pressure Sodium medium base lamps, or for 175W or 100W Metal Halide medium base lamps.

Applications

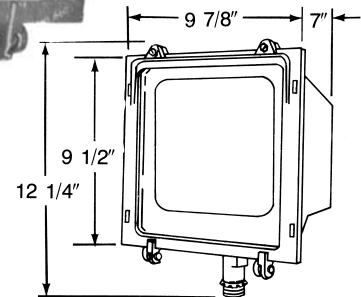
- Available for use with HPS or MH medium base lamps.
- HPS luminaires, with their superior energy efficiency are excellent for such applications as security lighting, small sports areas, parking areas, apartment complexes, hotels and motels, work area lighting, and accent, building facade and sign lighting.
- MH luminaires, with their near perfect color rendition, are recommended for car lots, garden shops, small sports areas, billboards, building facades, airports and security areas.
- HPS and MH floodlights replace higher wattage, inefficient quartz and PAR lighting.
- Suitable for use in wet locations.

Features

- HPS units use approximately 80% less energy than incandescent PAR-38 lamps and 70-75% less than quartz lamps. In lumen output, the 50W HPS unit is comparable to two 150W PAR 38 incandescent lamps; 70W HPS to 300W T-3 quartz; and 100W HPS to 500W T-3 quartz.
- MH units use 55% to 60% less energy than quartz lamps. In lumen output, one 175W MH is more efficient than one 500W T-3 quartz lamp.
- Beam pattern is NEMA Type 7.
- Extra-compact, high efficiency floodlights designed specifically for the small size of HID medium base lamps.
- Compact size permits use of existing poles for retrofitting quartz fixtures.
- Ruggedly built for dependable, vandal-resistant service. Attractively styled. Easy to install, aim, and service, with easy access to interior.
- Durable architectural bronze polyester finish resists chipping, peeling and fading no matter what the weather or climate conditions.
- Mounting arm: heavy duty, degree-marked swivel mounting arm with 3/4" pipe thread and locknut. Allows vertical and horizontal adjustment. Order mounting accessories separately.
- Medium base porcelain socket with



Projected Area:
.7 Sq. Ft.



nickel-plated contacts. Rated for 4-KV pulse. Furnished with 200°C leads, pre-wired to the ballast.

- Reflector: precision parabolic design, Alzak® finished aluminum for maximum efficiency.
- Patented hinged door has thermal shock and impact resistant glass lens, secured within die-cast aluminum frame with two captive stainless hex head steel screws for watertight fit.
- HPF ballasts have non-PCB capacitors.

Standard Materials

- *Ballast housing, door and mounting arm:* die-cast heavy gauge aluminum.
- *Reflector:* heavy gauge aluminum.
- *Lens:* heat- and impact-resistant tempered glass.
- *Gasket:* heavy, high temperature silicone rubber.

Standard Finishes

- Reflector: diffused anodized Alzak® finish.
- Housing, lens door and mounting arm: architectural bronze POLYESTER finish.

Compliances:

- UL Listed.
- UL Standard 1598 (supersedes UL Standard 1572).
- Suitable for use in wet locations.

*Alzak is a proprietary term of Aluminum Corp. of America.

Areamaster Jr.™ HID Wide-Beam Floodlights

Integrally ballasted for 150W, 100W, 70W or 50W High Pressure Sodium medium base lamps, or for 175W or 100W Metal Halide medium base lamps.

Ordering Information

Description	Line Voltage	Catalog Number
METAL HALIDE FIXTURES		
175-Watt Metal Halide		
CWA Ballast, CWA	120ⓐ	G-MM550H-12H
100-Watt Metal Halide		
HX-Auto Ballast, HPF*	120ⓐ	G-MM350H-12H
HIGH PRESSURE SODIUM FIXTURES		
150-Watt High Pressure Sodium		
Reactor Ballast	120	G-MM450L-12R
Reactor Ballast, HPF*	120	G-MM450L-12RH
100-Watt High Pressure Sodium		
Reactor Ballast	120	G-MM350L-12R
Reactor Ballast, HPF*	120	G-MM350L-12RH
70-Watt High Pressure Sodium		
Reactor Ballast	120	G-MM250L-12R
Reactor Ballast, HPF*	120	G-MM250L-12RH
50-Watt High Pressure Sodium		
Reactor Ballast	120	G-MM150L-12R
Reactor Ballast, HPF*	120	G-MM150L-12RH

ⓐ208V, 240V or 277V also available. For 208V, change voltage suffix -12H to -20H; for 240V, change -12H to 24H; and for 277V, change -12H to -27H.

*277V also available. For 277V, change -12H suffix to -27H.

ⓐArchitectural bronze POLYESTER finish.

Replacement Parts:

Lens and Frame Assembly
Lens Only

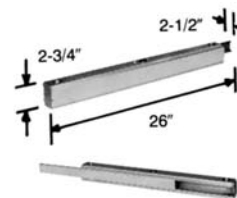
Catalog Number
G5005RFL
59601252002



Crossarm Mountⓐ

Has wiring compartment, 180° horizontal position scale. Mounts with bolt (not furnished). Aluminum. Includes cord grip.

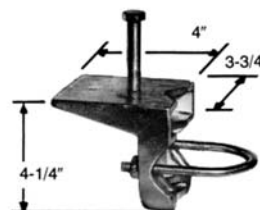
G-6028N



Channel Crossarm

Extruded aluminum, with slide-off cover. Six 3/4" threaded holes, with three close-up plugs. Mounts five luminaires. Mounts on 3/4" conduit or on G-810 poletop fitter.

G-6017



Pipe or Wall Mount Bracketⓐ

Mounts on 1" to 2" pipe, vertical or horizontal, or mounts on flat surfaces (used with G6028N). Includes U-bolts and bolt for G-6028N. Malleable iron.

G-VB101



Poletop Fitterⓐ

Cast aluminum, for mounting to 1-1/2" or 2" pipe. Has setscrews for securing to pole. 3/4" tapped top hub to accommodate luminaire or Channel Crossarm above.

G-810

Top Visorⓐ

Aluminum. Easy to install with hardware supplied.

G-MM4V

Wire Guard

Mounts to lens door with screws furnished. Zinc plated.

G-506

Vandal Shield

UV stabilized polycarbonate, with installation hardware and instructions.

G-MM-4-VS

Electrical Specifications

Line Voltage	Type of Ballast	Starting Amps	Operating Amps	Total Watts	Line Voltage	Type of Ballast	Starting Amps	Operating Amps	Total Watts
175-Watt Metal Halide					100-Watt High Pressure Sodium				
120	CWA	1.30	1.80	210	120	Reactor	3.05	2.10	115
208	CWA	.75	1.04	210	120	Reactor, HPF*	1.50	1.05	115
240	CWA	.65	0.90	210	70-Watt High Pressure Sodium				
277	CWA	.55	0.80	210	120	Reactor	2.10	1.60	83
100-Watt Metal Halide					120	Reactor, HPF*	.89	0.75	86
120	HX-Auto, HPF*	1.22/.44	1.15/.50	129	50-Watt High Pressure Sodium				
150-Watt High Pressure Sodium					120	Reactor	1.80	1.18	62
120	Reactor	4.50	3.20	170	120	Reactor, HPF*	.95	0.55	60
120	Reactor, HPF*	2.20	1.50	170	* High Power Factor				

Photometric Data: Areamaster, Jr.™ H.I.D. Floodlights

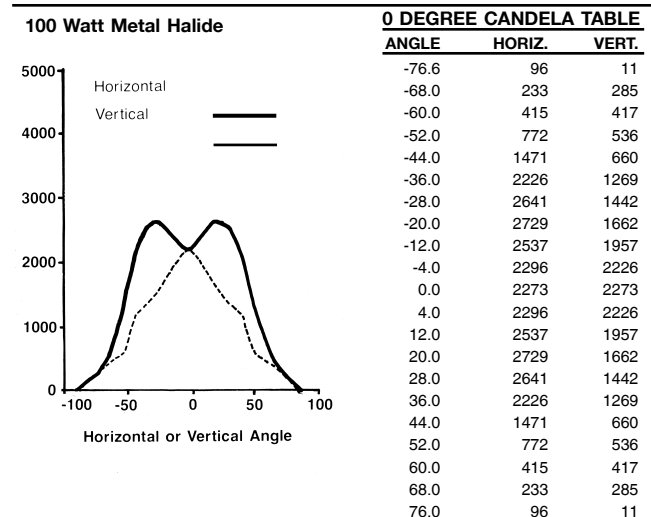
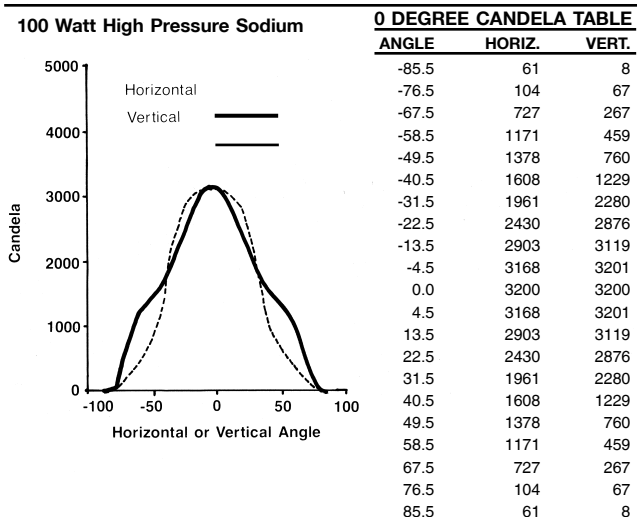
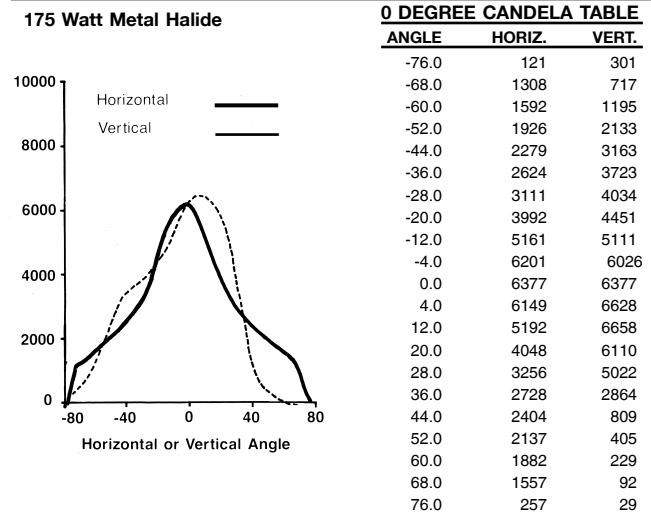
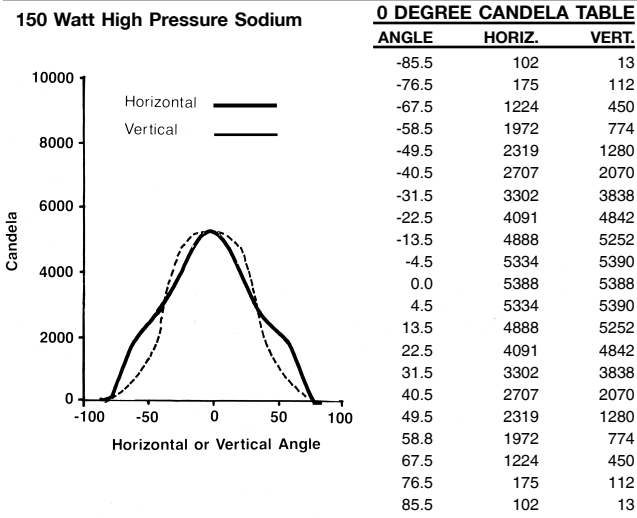
Integrally ballasted for 150W, 100W, 70W or 50W High Pressure Sodium medium base lamps or for 175W or 100W Metal Halide medium base lamps.

Fixture Wattage and HID Lamp—All Medium Base Clear. All Fixtures produce NEMA Type 7 Beam Pattern.

Photometric Data	150W HPS	100W HPS	70W HPS	50W HPS	175W MH	100W MH
HORIZONTAL SPREAD	146°	146°	146°	146°	146°	136°
BEAM LUMENS	10,150	6036	3676	2536	10,090	4864
BEAM EFFICIENCY	63%	64%	63%	63%	72%	68%
MAX. CP.	5750	3415	2084	1437	6657	3039
AV. MAX. CP.	5317	3158	1927	1328	6016	2581
TOTAL LUMENS	10,422	6186	3746	2576	10,430	4972
TOTAL EFFICIENCY	65%	65%	65%	64%	75%	69%

Candlepower Distribution

All data based on fixture with clear medium base lamp



Portable Areamaster Jr.™ Wide-Beam Floodlights

Integrally ballasted for 150W High Pressure Sodium medium base lamps, or for 175W Metal Halide medium base lamps.

Applications

- Temporary portable lighting, ideal where a lot of light is needed from a compact unit.
- For construction sites, areas for repair of heavy equipment, trucks, cars and boats, for loading docks, manufacturing or reconditioning projects.
- For outdoor activities or room remodeling around the house.
- Suitable for use in wet locations.

Features

- High Pressure Sodium and Metal Halide floodlights replace higher wattage, inefficient quartz and PAR lighting.
- High Pressure Sodium units use approximately 80% less energy than incandescent PAR-38 lamps and 70-75% less than quartz lamps.
- Metal Halide units use 55% to 60% less energy than quartz lamps. In lumen output, one 175W Metal Halide lamp is more efficient than one 500W T-3 quartz lamp.
- Beam pattern is NEMA Type 7.
- Extra-compact, high efficiency floodlights designed specifically for the small size of HID medium base lamps.
- Ruggedly built, attractively styled for dependable and vandal-resistant service.
- Durable architectural bronze polyester finish resists chipping, peeling and fading no matter what the weather or climate conditions.
- Medium base 4-KV pulse-rated porcelain socket with nickel-plated contacts. Furnished with 200°C leads, prewired to the ballast.
- Reflector: precision parabolic design, Alzak®* finished aluminum for maximum efficiency.
- Patented hinged door has thermal shock and impact resistant glass lens, secured within die-cast aluminum frame with two captive stainless hex head steel screws for watertight fit.
- Supplied with 15' 3-wire low temperature cord and molded plug.
- Ballasts for HPS luminaires capable of starting and operating the lamp in temperatures as low as -40°F (metal halide as low as -20°F).



- HPF ballasts have non-PCB capacitors.

Standard Materials

- *Ballast housing and door:* die-cast heavy gauge aluminum.
- *Reflector:* heavy gauge aluminum.
- *Lens:* heat- and impact-resistant tempered glass.
- *Gasket:* heavy, high temperature silicone rubber.
- *Stand and handle:* heavy gauge aluminum.

Standard Finishes

- *Reflector:* diffused anodized Alzak®* finish.
- *Housing and lens door:* architectural bronze POLYESTER finish.

- *Stand and handle:* black POLYESTER finish.

- Cord color is safety orange.

Compliances

- UL Listed. UL Standard 153 (Portable Lighting).
- Suitable for use in wet locations.

* Alzak is a proprietary term of Aluminum Corp. of America.

Q-6

UL Standard 153
Portable Lighting
Suitable for use in
Wet Locations

Portable Areamaster Jr.™ Wide-Beam-Floodlights

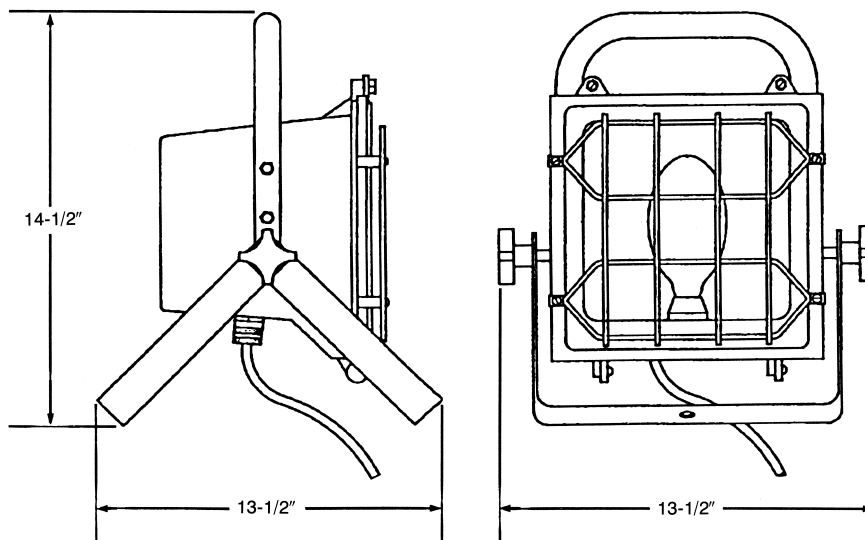
Integrally ballasted for 150W High Pressure Sodium medium base lamps, or for 175W Metal Halide medium base lamps.

Ordering Information

Description	Ballast Type	Line Voltage	Total Input Watts	Catalog Number
Metal Halide				
175-Watt Metal Halide Fixture	HX-Auto Ballast, HPF	120	205	G-MMP558H-12H-L
High Pressure Sodium				
150-Watt High Pressure Sodium	Reactor Ballast, HPF	120	170	G-MMP458L-12RH-L
150-Watt High Pressure Sodium	Reactor Ballast	120	170	G-MMP458L-12R-L
Replacement Parts:				
Lens Frame Assembly				G5005RFL
Lens Only				59601252002

Fixture supplied complete with lamp, guard and 15' cord and plug .

Dimensions



Areamaster™ 100 Wide-Beam Floodlights

For 150W, 100W or 70W high pressure sodium lamps, or 100W mercury vapor lamps. For general, marine, and Class I, Div. 2, Groups A, B, C, D hazardous locations.

Applications

- Highly efficient, all-weather floodlighting for lower wattage service. Well suited for facades, amusement and recreational areas, parking lots, industrial, and marine use.

Features

- Ruggedly built for dependable, vandal-resistant service. Attractively styled. Easy to install, aim, add service, with easy access to spacious interior.

- Integral ballast: pre-wired. Choice of multi-tapped, for 120, 208, 240, 277V lines; or for 480V lines.

- Housing: one-piece cast copper-free aluminum. Has architectural bronze POLYESTER finish.

- Lens cover: one-piece cast copper-free aluminum with architectural bronze POLYESTER finish. Secured by four 1/4" Dia. captive stainless steel slotted hex-head bolts.

- Lens: thermal shock and impact resistant glass.

- Gasket: heavy duty, high temperature silicone rubber, firmly seated.

- Socket: heavy duty mogul-base porcelain with heavy gauge brass, nickel-plated, double lamp-grip screw shell and spring-loaded center contact.

- Reflector: parabolic Alzak® finished aluminum for optimum efficiency.

- Mounting choice:

(1) Yoke mount, zinc plated steel yoke with architectural bronze POLYESTER finish.

(2) Pole mount, built-in slip-fitter, for internal wiring, adjustable laterally and vertically, slip fits 2" or 2-1/2" pipe, architectural bronze POLYESTER finish.

Compliances

- UL Standard 1598A (supersedes UL Standard 1572)

- UL Standard 844

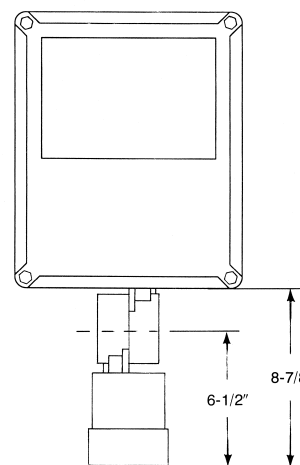
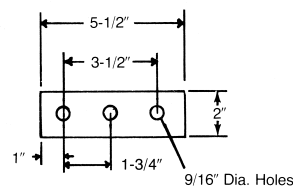
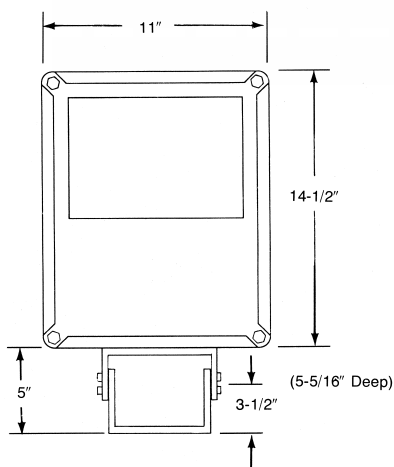
- Marine type electric fixtures, outside type (salt water).



Yoke Mount



Pole Mount



Fits 2" thru 2-1/2" pipe size

Areamaster™ 100 Wide-Beam Floodlights

For 150W, 100W or 70W high pressure sodium lamps, 100W metal halide, or 100W mercury vapor lamps. For general, marine, and Class I, Div. 2, Groups A, B, C, D hazardous locations.

Ordering Information

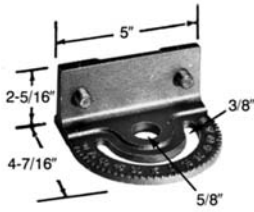

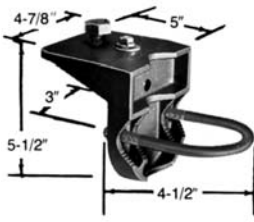


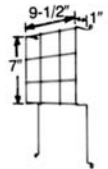
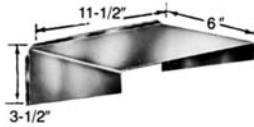
Lamp	Line Voltage	Yoke Mount* For General Duty Catalog Number◆	Marine Yoke Mount* For Class I, Div. 2 Classified Duty Catalog Number	Slip-Fit Mount† For General Duty Cat. No's.
High Pressure Sodium				
70W HPS	120-277◆	G-AM271L-MT	G-AM271L-MT-I/2	G-AM275L-MT
70W HPS	480	G-AM271L-48	G-AM271L-48-I/2	G-AM275L-48
100W HPS	120-277◆	G-AM371L-MT	G-AM371L-MT-I/2	G-AM375L-MT
100W HPS	480	G-AM371L-48	G-AM371L-48-I/2	G-AM375L-48
150W HPS	120-277◆	G-AM471L-MT	G-AM471L-MT-I/2	G-AM475L-MT
150W HPS	480	G-AM471L-48	G-AM471L-48-I/2	G-AM475L-48
Mercury Vapor				
100W MV	120-277◆	G-AM371M-MT	G-AM371M-MT-I/2	G-AM375M-MT
100W MV	480	G-AM371M-48	G-AM371M-48-I/2	G-AM375M-48

◆Ballast has primary taps for 120V, 208V, 240V, and 277V. HPS units operate 55 volt lamps only.

* Adjustable yoke mounts directly or with adapters.

† Internally wired, adjustable slip-fit mount for 2" or 2-1/2" pipe.

Mounting Fittings and Accessories

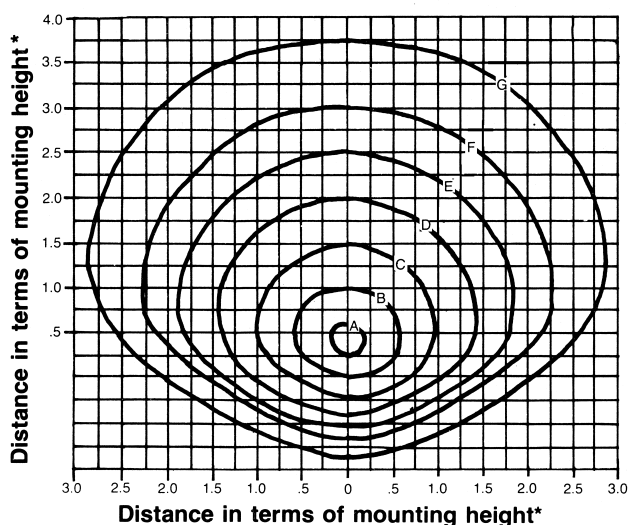
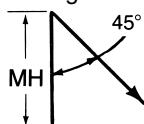
Dimensions	Description	Cat. No.	Dimensions	Description	Cat. No.
	Crossarm Mounting Bracket Has 180° horizontal adjustment—degree-marked. Facilitates mounting floodlight to crossarm or other flat surface, or to G-AM-8-WB. Includes floodlight yoke bolts. Malleable iron, zinc plated, chromate sealed, architectural bronze POLYESTER finish.	G-AM-8-CA		Poletop Slip-Fitter 1-1/2" or 2" pipe size pole-top tenons. Includes floodlight yoke bolt, 3 locking bolts, and cord grip. Body is malleable iron—zinc plated, chromate sealed, with cast aluminum cap. Assembly has architectural bronze POLYESTER finish.	G-SF20
	Pipe or Wall Mount Bracket Used with G-AM-8-CA. Clamps to 1" to 2-1/2" pipe, vertical or horizontal, or mounts on flat surfaces. Includes U-bolt and crossarm bracket bolts. Malleable iron, zinc plated, chromate sealed, with architectural bronze POLYESTER finish.	G-AM-8-WB		Locking-Type Photocontrol Receptacle For NEMA type photocontrol, with installation hardware and instructions. Should not be mounted on Class I Division 2 units.	G-1PCR
	Vandal Shield UV stabilized polycarbonate, with installation hardware and instructions.	G-AM-2-VS		Wire Guard Mounts to lens door with screws furnished. Zinc plated.	G-AM-2-G
	Top Visor Easy to install with hardware supplied. Aluminum, with architectural bronze POLYESTER finish.	G-AM-2-V			

Areamaster™ 100 Wide-Beam Floodlights

For 150W, 100W, or 70W high pressure sodium lamps or 100W mercury vapor lamps. For general, marine, and Class I, Div. 2 hazardous locations.

Typical footcandle values

150 Watt High Pressure Sodium—Clear, 16,000 Lumens



*(i.e., ratio of distance to height. Example: @ 15' mounting height, 1 means 15'; 2 means 30', etc.)

◇ Photometric charts available on request.

Electrical Specifications

Line Voltage	Type of Ballast◇	Starting Amps	Operating Amps	Total Watts
70 Watt High Pressure Sodium				
120	HX-Auto	.90	.82	94
208	HX-Auto	.50	.48	94
240	HX-Auto	.44	.41	94
277	HX-Auto	.35	.36	94
480	HX-Auto	.21	.21	94
100 Watt High Pressure Sodium				
120	HX-Auto	1.30	1.15	130
208	HX-Auto	.76	.67	130
240	HX-Auto	.66	.58	130
277	HX-Auto	.60	.50	130
480	HX-Auto	.33	.31	135
150 Watt High Pressure Sodium				
120	HX-Auto	2.00	1.65	189
208	HX-Auto	1.16	.95	189
240	HX-Auto	1.00	.83	189
277	HX-Auto	.86	.75	189
480	HX-Auto	.50	.44	189
100 Watt Mercury Vapor				
120	C.W.A.	1.00	1.05	125
208	C.W.A.	.58	.60	125
240	C.W.A.	.50	.52	125
277	C.W.A.	.43	.45	125
480	C.W.A.	.25	.28	124

◇ C.W.A.— Constant Wattage Autotransformer

HX-Auto—High Reactance Autotransformer

‡ 150W HPS units equipped with ballasts to operate 55-volt lamps only.

Footcandles for Iso-FTC Lines

Lamp	Mtg. Ht.	Ratio of Distance to Height						
		.63 A	1.0 B	1.5 C	2.0 D	2.5 E	3.0 F	3.75 G
150W HPS	10'	31.25	18.23	8.06	3.41	1.63	.86	.38
	20'	7.81	4.56	2.02	.85	.41	.22	.10
	30'	3.47	2.03	.90	.38	.18	.10	.04
100W HPS	10'	18.44	10.76	4.76	2.01	.96	.51	.22
	20'	4.61	2.69	1.19	.50	.24	.13	.06
	30'	2.05	1.20	.53	.22	.11	.06	.02
70W HPS	10'	11.25	6.56	2.90	1.23	.59	.31	.14
	20'	2.81	1.64	.73	.31	.15	.08	.04
	30'	1.25	.73	.32	.14	.06	.04	.01
100W MV	10'	6.91	3.69	1.57	.71	.36	.20	.10
	15'	3.07	1.64	.70	.32	.16	.09	.04
	20'	1.73	.92	.39	.18	.09	.05	.03

T Numbers and Temperature Ratings of "Classified Duty" Areamaster 100

Type Fixture	T Rating	Ambient Temperature °C	T Rating Temperature Range
70W HPS	T3	40°	181°-200°
100W HPS	T2C	40°	216°-230°C
150W HPS	T2	40°	281°-300°C
100W MV	T2B	40°	231°-260°C

Areamaster™ 250/400

Integrally ballasted floodlights for 70W, 100W, 150W, 250W or 400W high pressure sodium lamps; 175W, 250W or 400W metal halide lamps; 200W, 250W, 320W or 400W pulse start metal halide and 175W, 250W or 400W mercury vapor lamps. For general, marine, and Class I, Div. 2, Groups A, B, C and D hazardous locations.

Applications

- Powerful, efficient weatherproof lighting for medium and large areas such as shopping malls, parking lots, sports areas, new-car lot lighting, security lighting and industrial process lighting.

Features

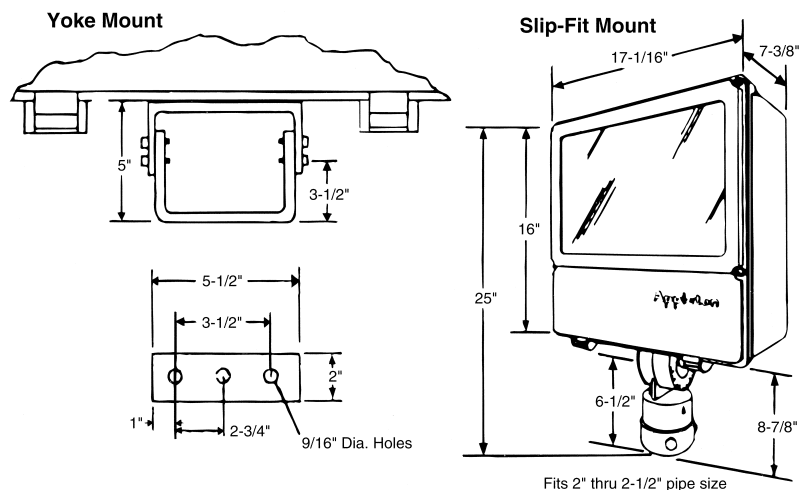
- Compact in size, attractively styled contemporary design, rugged and dependable.
- Easy to install and service.
- Integral ballast; choice of multi-tap for 120, 208, 240, or 277V lines, or for 480 lines.
- Housing: one-piece pressure-cast copper-free aluminum with architectural bronze POLYESTER finish.
- Lens door: one-piece pressure-cast copper-free aluminum with architectural bronze POLYESTER finish. Secured by four 1/4" Dia. captive stainless steel slotted hex-head bolts.
- Lens: thermal-shock and impact resistant glass.
- Gasket: heavy duty, high temperature silicone rubber, firmly seated.
- Socket: heavy duty, mogul base porcelain with heavy gauge brass, nickel plated, double lamp-grip screw shell and spring loaded center contact.
- Reflector: compound parabolic, double segment, Alzak® finished aluminum for optimum efficiency.
- Mounting choice: (1) Yoke mount, zinc plated steel yoke with architectural bronze POLYESTER finish. (2) Pole mount, built-in slip-fitter, for internal wiring. Adjustable laterally and vertically, slip-fits 2" or 2 1/2" pipe. Architectural bronze POLYESTER finish.
- Cool operating temperatures for Class I, Division 2 fixtures translate into long luminaire life.

Compliances

- UL Standard 1598A.
- UL Standard 844.
- Marine type electric fixtures, outside type (salt water).
- Appleton aluminum products are produced from a high strength copper-free (4/10 of 1% max.) alloy.



**Projected Area:
1.9 Sq. Ft.**



Areamaster™ 250/400

Integrally ballasted floodlights for 70W, 100W, 150W, 250W or 400W high pressure sodium lamps; 175W, 250W or 400W metal halide lamps; 200W, 250W, 320W or 400W pulse start metal halide and 175W, 250W or 400W mercury vapor lamps. For general, marine, and Class I, Div. 2, Groups A, B, C and D hazardous locations.

Ordering Information

Lamp	Line Voltage	For General Duty		**For Class 1, Div. 2 Classified Duty and Marine Yoke Mount Catalog Number*
		Yoke Mount Catalog Number♦	Slip-Fit Mount‡ Catalog Number♦	
High Pressure Sodium				
70W HPS	120-277◊Ⓜ	----	----	G-AML271L-MT-I/2
70W HPS	480Ⓜ	----	----	G-AML271L-48-I/2
100W HPS	120-277◊Ⓜ	----	----	G-AML371L-MT-I/2
100W HPS	480Ⓜ	----	----	G-AML371L-48-I/2
150W HPS	120-277◊Ⓜ	----	----	G-AML471L-MT-I/2
150W HPS	480Ⓜ	----	----	G-AML471L-48-I/2
250W HPS	120-277◊	G-AM671L-MT	G-AM675L-MT	G-AM671L-MT-I/2
250W HPS	480	G-AM671L-48	G-AM675L-48	G-AM671L-48-I/2
400W HPS	120-277◊	G-AM771L-MT	G-AM775L-MT	G-AM771L-MT-I/2
400W HPS	480	G-AM771L-48	G-AM775L-48	G-AM771L-48-I/2
Metal Halide				
175W MH	120-277◊	G-AM571H-MT	G-AM575H-MT	G-AM571H-MT-I/2
175W MH	480	G-AM571H-48	G-AM575H-48	G-AM571H-48-I/2
250W MH	120-277◊	G-AM671H-MT	G-AM675H-MT	G-AM671H-MT-I/2
250W MH	480	G-AM671H-48	G-AM675H-48	G-AM671H-48-I/2
400W MH	120-277◊	G-AM771H-MT	G-AM775H-MT	G-AM771H-MT-I/2
400W MH	480	G-AM771H-48	G-AM775H-48	G-AM771H-48-I/2
Pulse Start Metal Halide				
200W PSMH	120-277◊	G-AM2071P-MT	G-AM2075P-MT	G-AM2071P-MT-I/2
200W PSMH	480	G-AM2071P-48	G-AM2075P-48	G-AM2071P-48-I/2
250W PSMH	120-277◊	G-AM671P-MT	G-AM675P-MT	G-AM671P-MT-I/2
250W PSMH	480	G-AM671P-48	G-AM675P-48	G-AM671P-48-I/2
320W PSMH	120-277◊	G-AM3271P-MT	G-AM3275P-MT	G-AM3271P-MT-I/2
320W PSMH	480	G-AM3271P-48	G-AM3275P-48	G-AM3271P-48-I/2
400W PSMH	120-277◊	G-AM771P-MT	G-AM775P-MT	G-AM771P-MT-I/2
400W PSMH	480	G-AM771P-48	G-AM775P-48	G-AM771P-48-I/2
Mercury Vapor				
175W MV	120-277◊	G-AM571M-MT	G-AM575M-MT	G-AM571M-MT-I/2
175W MV	480	G-AM571M-48	G-AM575M-48	G-AM571M-48-I/2
250W MV	120-277◊	G-AM671M-MT	G-AM675M-MT	G-AM671M-MT-I/2
250W MV	480	G-AM671M-48	G-AM675M-48	G-AM671M-48-I/2
400W MV	120-277◊	G-AM771M-MT	G-AM775M-MT	G-AM771M-MT-I/2
400W MV	480	G-AM771M-48	G-AM775M-48	G-AM771M-48-I/2

NOTE: For Zone 2 Areamaster™ 250/400, See Catalog Section F1.

◊ Ballast has primary taps for 120V, 208V, 240V, and 277V. ‡Slip-fits 2" or 2-1/2" pipe-size tenons. ♦ Add suffix E to catalog number if provision for quartz emergency lamp is desired. Furnished with socket installed and pre-wired. * Quartz emergency lamp not available for Class I, Div. 2 fixtures. Classified duty floodlights have 1/2" N.P.T tapped hub for power entry. Use 105° supply wire. Ⓜ For Hot Restrike Option, add suffix -R.

Areamaster™ 250/400

Integrally ballasted floodlights for 400W, 250W, 150W, 100W, or 70W high pressure sodium lamps; 400W, 250W, or 175W metal halide lamps; 400W, 320W, 250W, or 200W pulse start metal halide and 400W, 250W, or 175W mercury vapor lamps. For general, marine, and Class I, Div. 2, Groups A, B, C and D hazardous locations.

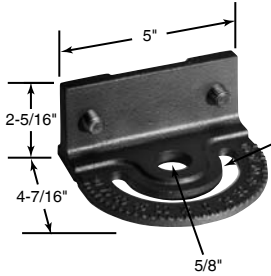

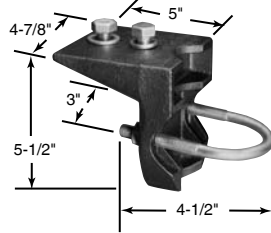

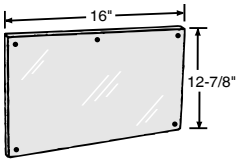
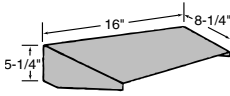
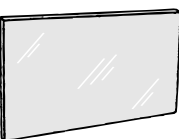
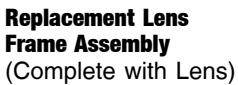
"T" Numbers for Areamaster 250/400 I/2

Lamp		Supply Temp Wire °C	Ambient Temp °C	Class I, Div. 2	
Watts	Type			T #'s	Range °C
70	HPS	60	40	T3C	136-160
		75	55	T3B	161-165
		90	65	T3A	166-180
100	HPS	75	40	T3	181-200
		90	55	T2D	201-215
		105	65	T2C	216-230
150	HPS	85	40	T2B	231-260
		105	55	T2B	231-260
		110	65	T2B	231-260
250	HPS	75	40	350	326-350
		90	55	350	326-350
		105	65	T1	351-450
400	HPS	105	40	T1	351-450
175	MH	90	40	T2	281-300
		105	55	325	301-325
		110	65	325	301-325
250	MH	85	40	325	301-325
		105	55	350	326-350
		110	65	350	326-350
400	MH	105	40	325	301-325
200	PSMH	75	40	325	301-325
		85	55	325	301-325
		105	65	325	301-325
250	PSMH	85	40	325	301-325
		105	55	325	301-325
320	PSMH	85	40	325	301-325
		105	55	325	301-325
400	PSMH	105	40	325	301-325
		115	55	325	301-325
175	MV	75	40	T2	281-300
		90	55	325	301-325
		105	65	325	301-325
250	MV	85	40	350	326-350
		105	55	T1	351-400
400	MV	105	40	350	326-350

Areamaster™ 250/400

Integrally ballasted floodlights for 400W, 250W, 150W, 100W, or 70W high pressure sodium lamps; 400W, 250W, or 175W metal halide lamps; 400W, 320W, 250W, or 200W pulse start metal halide and 400W, 250W, or 175W mercury vapor lamps. For general, marine, and Class I, Div. 2, Groups A, B, C and D hazardous locations.

Mounting Fittings and Accessories

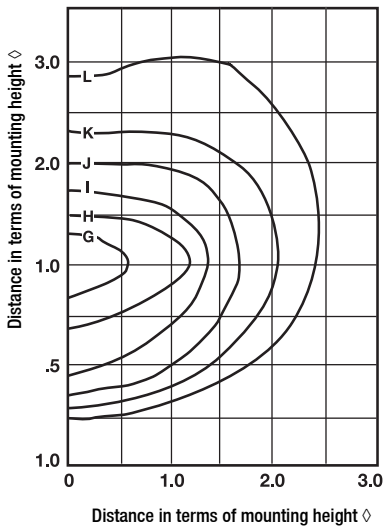
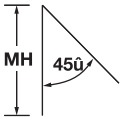
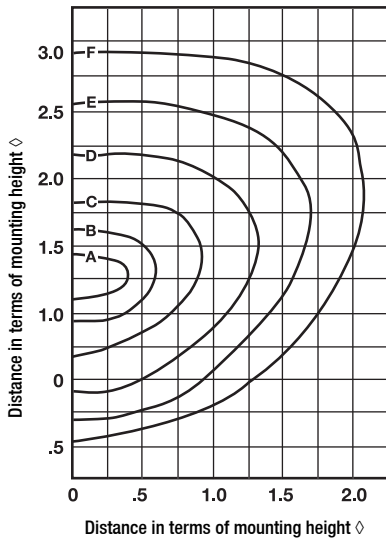
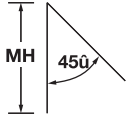
Dimensions	Description	Cat. No.	Dimensions	Description	Cat. No.
 <p>5" 2-5/16" 4-7/16" 3/8" 5/8"</p>	<p>Crossarm Mounting Bracket Has 180° horizontal adjustment—degree marked. Facilitates mounting floodlight to crossarm or other flat surface, or to G-AM-8-WB. Includes floodlight yoke bolts. Malleable iron, zinc plated, chromate sealed, architectural bronze POLYESTER finish.</p>	G-AM-8-CA	 <p>2-7/8" 4-9/16" 2-1/2" 2"</p>	<p>Poletop Slip-Fitter Slip-fits 1-1/2" or 2" pipe size poletop tenons. Includes floodlight yoke bolts, 3 locking bolts, and cord grip. Body is malleable iron-zinc plated, chromate sealed, with cast aluminum cap. Assembly has architectural bronze POLYESTER finish.</p>	G-SF20
 <p>4-7/8" 5" 3" 5-1/2" 4-1/2"</p>	<p>Pipe or Wall Mount Bracket Used with G-AM-8-CA. Clamps to 1" to 2-1/2" pipe, vertical or horizontal, or mounts on flat surfaces. Includes U-bolt and crossarm bracket bolts. Malleable iron, zinc plated, chromate sealed, with architectural bronze POLYESTER finish.</p>	G-AM-8-WB		<p>Locking-Type Photocontrol Receptacle For NEMA type photocontrol, with installation hardware and instructions. Should not be mounted on Class I, Division 2 units.</p>	G-1PCR
 <p>16" 12-7/8"</p>	<p>Vandal Shield UV stabilized polycarbonate, with installation hardware and instructions.</p>	G-AM-6-VS	 <p>16" 8-1/4" 5-1/4"</p>	<p>Top Visor Easy to install with hardware supplied. Aluminum, with architectural bronze POLYESTER finish.</p>	G-AM-6-V
	<p>Replacement Lens</p>	604249003		<p>Replacement Lens Frame Assembly (Complete with Lens)</p>	59607383002

Q-14

Photometric Data: Areamaster™ 250/400

Integrally ballasted floodlights for 400W, 250W, 150W, 100W, or 70W high pressure sodium lamps; 400W, 250W, or 175W metal halide lamps; 400W, 320W, 250W, or 200W pulse start metal halide and 400W, 250W, or 175W mercury vapor lamps. For general, marine, and Class I, Div. 2, Groups A, B, C and D hazardous locations.

Typical Footcandle Values ♦



Mtg. Ht.	Ft. Cdles for Iso-Footcandle Lines					
	A	B	C	D	E	F

400W HPS

60'	3.27	2.74	1.82	0.92	0.37	0.18
50'	4.74	4.00	2.90	1.37	0.52	0.27
40'	7.65	6.28	4.38	2.27	0.82	0.43
30'	13.10	10.92	7.83	3.47	1.45	0.77
20'	28.22	25.55	17.37	7.28	3.46	1.82

400W MH

60'	2.32	1.66	1.00	0.58	0.33	0.17
50'	3.32	2.32	1.49	0.76	0.48	0.25
40'	5.48	3.62	2.32	1.33	0.75	0.36
30'	9.79	7.80	3.98	2.16	1.33	0.68
20'	17.26	14.60	9.30	5.31	3.15	1.49

400W MV

60'	1.30	1.02	0.69	0.46	0.28	0.19
50'	1.86	1.49	1.02	0.65	0.39	0.28
40'	2.98	2.32	1.52	1.04	0.63	0.43
30'	4.65	4.09	2.79	1.95	1.15	0.78
20'	11.25	9.49	6.70	4.37	2.42	1.58

Mtg. Ht.	Ft. Cdles for Iso-Footcandle Lines					
	G	H	I	J	K	L

70W HPS

10'	10.00	5.00	2.50	1.00	0.50	0.25
20'	2.50	1.00	0.50	0.25	0.10	0.05
30'	1.00	0.50	0.25	0.10	0.05	0.02

Mtg. Ht.	Ft. Cdles for Iso-Footcandle Lines					
	A	B	C	D	E	F

250W HPS

60'	1.96	1.64	1.09	0.55	0.22	0.11
50'	2.84	2.40	1.74	0.82	0.31	0.16
40'	4.58	3.76	2.62	1.36	0.49	0.26
30'	7.85	6.54	4.69	2.08	0.87	0.46
20'	16.90	15.30	10.40	4.36	2.07	1.09

250W MH

60'	1.40	1.00	0.60	0.35	0.20	0.10
50'	2.00	1.40	0.90	0.46	0.29	0.15
40'	3.30	2.18	1.40	0.80	0.45	0.22
30'	5.90	4.70	2.40	1.30	0.80	0.41
20'	10.40	8.80	5.60	3.20	1.90	0.90

250W MV

60'	.70	0.55	0.37	0.25	0.15	0.10
50'	1.00	0.80	0.55	0.35	0.21	0.15
40'	1.60	1.25	0.82	0.56	0.34	0.23
30'	2.80	2.20	1.50	1.05	0.62	0.42
20'	6.05	5.10	3.60	2.35	1.30	0.85

◇ (i.e., ratio of distance to height. Example: @ 20' mounting height, 1 means 20'; 2 means 40', etc. ♦ Photometric charts available on request.

Areamaster™ 250/400

Integrally ballasted floodlights for 400W, 250W, 150W, 100W, or 70W high pressure sodium lamps; 400W, 250W, or 175W metal halide lamps; 400W, 320W, 250W, or 200W pulse start metal halide and 400W, 250W, or 175W mercury vapor lamps. For general, marine, and Class I, Div. 2, Groups A, B, C and D hazardous locations.



ELECTRICAL SPECIFICATIONS

For C.W.A. type ballasts

Line Volts	Start Amps	Oper. Amps	Total Watts	Start Amps	Oper. Amps	Total Watts	Start Amps	Oper. Amps	Total Watts	Start Amps	Oper. Amps	Total Watts
	400W High Pressure Sodium			400W Metal Halide			250W Metal Halide			175W Metal Halide		
120	3.10	3.90	465	3.25	4.00	458	2.20	2.50	295	1.30	1.80	213
208	1.80	2.25	465	1.90	2.30	458	1.30	1.45	295	0.75	1.10	213
240	1.60	1.95	465	1.65	2.00	458	1.10	1.30	295	0.65	0.90	213
277	1.35	1.70	465	1.40	1.75	458	1.00	1.12	295	0.55	0.80	213
480	0.80	1.00	465	0.85	1.00	465	0.60	0.60	295	0.35	0.45	213
	250W High Pressure Sodium			400W Mercury Vapor			250W Mercury Vapor			175W Mercury Vapor		
120	1.75	2.70	300	3.40	3.90	454	2.45	2.55	285	1.65	1.80	205
208	1.00	1.50	300	2.00	2.22	454	1.50	1.50	285	0.95	1.10	205
240	0.85	1.30	300	1.70	1.95	454	1.20	1.27	285	0.83	0.90	205
277	0.75	1.15	300	1.50	1.70	454	1.13	1.10	285	0.72	0.78	205
480	0.40	0.65	295	0.95	1.05	458	0.60	0.62	285	0.75	0.50	205

For Super C.W.A. Pulse Start Metal Halide

Line Volts	200W Pulse Start			250W Pulse Start			320W Pulse Start			400W Pulse Start		
120	1.15	2.20	232	1.96	2.50	291	3.30	3.25	365	3.50	4.00	456
208	0.65	1.25	232	1.13	1.45	291	1.90	1.90	365	2.00	2.30	456
240	0.55	1.10	232	.98	1.25	291	1.60	1.65	365	1.75	2.00	456
277	0.49	0.95	232	.85	1.10	291	1.40	1.40	365	1.50	1.75	456
480	0.19	0.54	232	0.32	0.69	298	0.45	0.85	405	0.75	1.00	458

For HX-HPF type ballasts

Line Volts	Start Amps	Oper. Amps	Total Watts	Start Amps	Oper. Amps	Total Watts	Start Amps	Oper. Amps	Total Watts
	70W High Pressure Sodium			100W High Pressure Sodium			150W High Pressure Sodium		
120	0.90	0.82	94	1.30	1.15	130	2.00	1.66	189
208	0.50	0.48	94	0.76	0.67	130	1.16	0.96	189
240	0.44	0.41	94	0.66	0.58	130	1.00	0.83	189
277	0.35	0.36	94	0.60	0.50	130	0.86	0.75	189
480	0.21	0.21	94	0.33	0.31	135	0.50	0.44	189

Use 90°C rated supply wire.

Areamaster™ 1000

Integrally ballasted floodlights for 1000W high pressure sodium lamps, 1000W and 1500W metal halide lamps, or 1000W mercury vapor lamps. For general locations or Class I, Div. 2 Groups A, B, C and D hazardous locations.

Applications

- Powerful, efficient weatherproof floodlights for large areas such as shopping malls, industrial complexes, ship loading areas, mining sites, parking lots, and sports areas.
- Suitable for wet locations.

Features

- Highly efficient, integrally ballasted floodlight. Has compact, lightweight, yet rugged die-cast aluminum construction. Combines architecturally beautiful design with rugged dependability, simple installation and maintenance.
- Integral ballast: choice of multi-tap for 120V, 208V, 240V, or 277V lines, or for 480V lines.
- Housing: pressure-cast copper-free aluminum with architectural bronze Polyester finish.
- Lens Door: pressure-cast copper-free aluminum, secured with 1/4" diameter captive stainless steel slotted hex-head bolts. Has architectural bronze Polyester finish.
- Lens: thermal shock and impact resistant glass.
- Gasket: heavy duty, high temperature, long life silicone rubber.
- Socket: specification grade mogul base porcelain with heavy gauge brass, nickel-plated, double lamp-grip screw shell and spring-loaded center contact.
- Reflectors: double segment compound parabolic with Alzak® finish for maximum efficiency.
- Mounting choice:(1) Yoke mount: zinc plated steel yoke with architectural bronze Polyester finish. (2) Poletop mount: built-in slip-fitter for internal wiring. Adjustable laterally and vertically. Slip fits 2" or 2 1/2" pipe. Architectural bronze Polyester finish.

Compliances

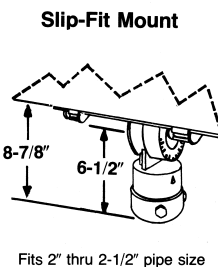
- UL Standard 1598 (supersedes UL Standard 57).
- UL Standard 844.
- Class I Div. 2 UL Standard 1598A.
- Classified Duty fixtures have a maximum operating temperature of 325°C (T1 NEC Identification Number).
- Appleton aluminum products are produced from a high strength copper-free (4/10 of 1% max.) alloy.



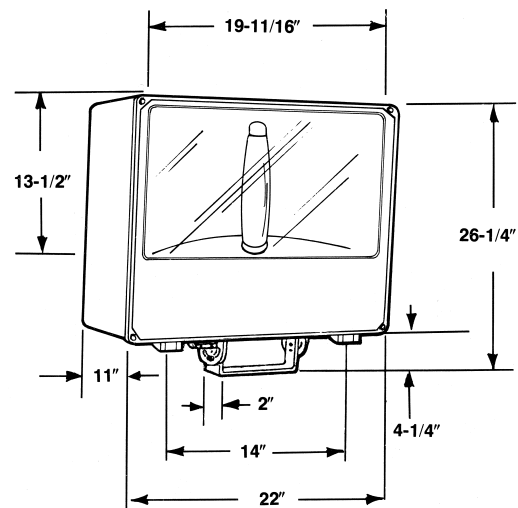
Projected Area:
3.36 Sq. Ft.

Yoke Mount

Projected area: 3.36 Sq. Ft.



Slip-Fit Mount



Areamaster™ 1000

Integrally ballasted floodlights for 1000W high pressure sodium lamps, 1000W and 1500W metal halide lamps, or 1000W mercury vapor lamps. For general locations or Class I, Div. 2 Groups A, B, C and D hazardous locations.

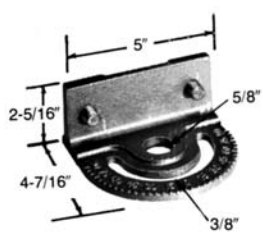
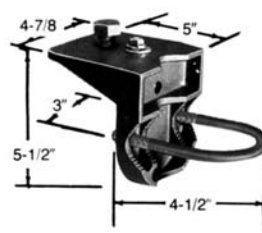





Ordering Information

Lamp	Line Voltage	For General Duty		For Class I, Div. 2 Classified Duty Marine Yoke Cat. No.*	Lamp	Line Voltage	For General Duty		For Class I, Div. 2 Classified Duty Marine Yoke Cat. No.*
		Yoke Mount Cat. No.◆	Slip-Fit Mount Cat. No.◆‡				Yoke Mount Cat. No.◆	Slip-Fit Mount Cat. No.◆‡	
High Pressure Sodium					Metal Halide				
1000W	120-277◇	G-AM861L-MT	G-AM865L-MT	G-AM861L-MT-I/2	1000W	120-277◇	G-AM861H-MT	G-AM865H-MT	G-AM861H-MT-I/2
1000W	480	G-AM861L-48	G-AM865L-48	G-AM861L-48-I/2	1000W	480	G-AM861H-48	G-AM865H-48	G-AM861H-48-I/2
Mercury Vapor									
1000W	120-277◇	G-AM861M-MT	G-AM865M-MT	G-AM861M-MT-I/2	1500W	120-277◇	G-AM961H-MT	G-AM965H-MT	--
1000W	480	G-AM861M-48	G-AM865M-48	G-AM861M-48-I/2	1500W	480	G-AM961H-48	G-AM965H-48	--

◇Ballast has primary taps for 120V, 208V, 240V, and 277V. ‡ Slip-fits 2" or 2-1/2" pipe-size tenons. ◆ Add suffix E to catalog number if provision for bayonet type quartz emergency lamp is desired. Furnished with socket installed and pre-wired. *Quartz emergency option not available for Class I, Div. 2 fixtures. Classified duty floodlights have 3/4" N.P.T. tapped hub for power entry.

NOTE: 1000W units have a max. lamp surface temperature of 325°C. See T Number data on back page.

Mounting Fittings and Accessories

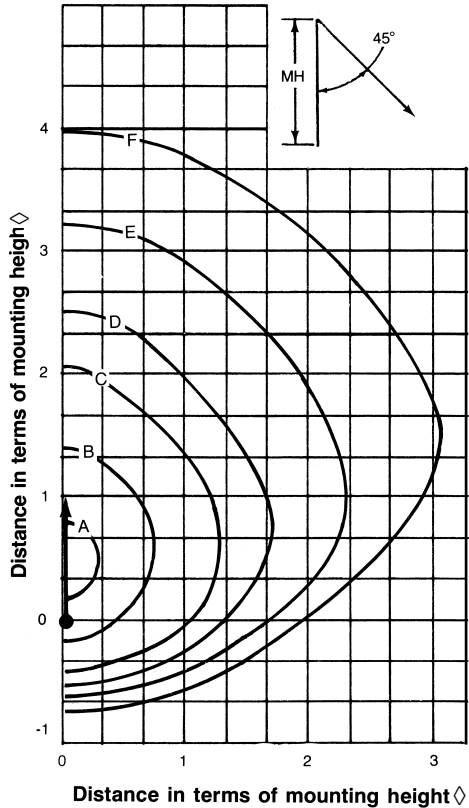
Dimensions	Description	Cat. No.	Dimensions	Description	Cat. No.
	Crossarm Mounting Bracket 180° horizontal adjustment—degree-marked. Facilitates mounting floodlight to crossarm or other flat surface, or to G-AM-8-WB. Includes floodlight yoke bolts. Malleable iron, zinc plated, chromate sealed, architectural bronze POLYESTER finish.	G-AM-8-CA		Pipe or Wall Mount Bracket Used with G-AM-8-CA. Clamps to 1" to 2" pipe, vertical or horizontal, or mounts on flat surfaces. Includes U-bolt and crossarm bracket bolts. Malleable iron, zinc plated, chromate sealed, with architectural bronze POLYESTER finish.	G-AM-8-WB
	Poletop Slip-Fitter Slip-fits 2" or 2-1/2" poletop tenons. Includes floodlight yoke bolts, 3 locking bolts, and cord grip. Malleable iron, zinc plated, chromate sealed, with architectural bronze POLYESTER finish.	G-AM-8-SF		Locking-Type Photocontrol Receptacle For NEMA type photocontrol, with installation hardware and instructions. Should not be mounted on Class I, Division 2 units.	G-1PCR
	Top Visor Aluminum with architectural bronze POLYESTER finish to match housing. Mounting hardware supplied.	G-AM-8-NV		Vandal Shield UV stabilized polycarbonate, with installation hardware and instructions.	G-AM-8-NVS
Replacement Lens		59604249004		Safety Cable Secures floodlight in extreme conditions	G-AM-8-SC
Replacement Lens Frame Assembly (Complete w/Lens)		59617539001			

Q-18

Areamaster™ 1000

Integrally ballasted floodlights for 1000W high pressure sodium lamps, 1000W and 1500W metal halide lamps, or 1000W mercury vapor lamps. For general locations or Class I, Div. 2 hazardous locations.

Typical Footcandle Values◆



◆ i.e., ratio of distance to height. Example: @20' mounting height, 1 means 20'; 2 means 40', etc.

Lamp/Luminaire	Mtg. Ht.	Footcandle Values for Isofootcandle Lines					
		A	B	C	D	E	F
1000W HPS Clear 140,000 Lumens Cat. No. G-AM861L-MT	60'	8.0	3.0	1.0	.50	.20	.10
	50'	11.5	4.6	1.5	.72	.27	.15
	40'	17.3	6.8	2.4	1.00	.45	.21
	30'	31.5	12.0	4.1	1.90	.80	.30
1000W MH Clear 110,000 Lumens Cat. No. G-AM861H-MT	60'	6.0	3.0	1.0	.50	.20	.10
	50'	8.2	4.2	1.4	.80	.28	.15
	40'	12.6	7.9	2.3	1.20	.42	.19
	30'	23.0	11.6	4.0	2.10	.70	.25
1000W MV Dx. Wh. 63,000 Lumens Cat. No. G-AM861M-MT	60'	3.0	2.0	1.0	0.50	0.20	0.10
	50'	4.3	3.3	1.4	0.80	0.28	0.16
	40'	6.6	4.4	2.2	1.10	0.42	0.22
	30'	12.6	7.6	3.8	2.00	0.70	0.39

◆Photometric charts available on request.

Photometric Data◆

	1000W HPS	1000W MH	1000W MV
Horiz. Spread	134°	133°	146°
Vert. Spread	131°	123°	141°
Beam Lumens	77,440	62,112	28,698
Beam Effic.	55.3%	56.5%	45.6%
Max. CP	40,251	45,909	13,688
Avg. Max. CP	38,396	38,490	13,202
Total Lumens	80,846	66,008	29,606
Total Effic.	57.7%	60.0%	47.0%

Electrical Specifications

Line Voltage	Type of Ballast	Starting Amps	Operating Amps	Total Watts
1000 Watt High Pressure Sodium				
120	C.W.A.	6.35	9.50	1100
208	C.W.A.	3.80	5.50	1100
240	C.W.A.	3.20	4.80	1100
277	C.W.A.	2.75	4.15	1100
480	C.W.A.	1.80	2.45	1100
1000 Watt Metal Halide and Mercury				
120	C.W.A.	8.00	9.20	1080
208	C.W.A.	4.60	5.30	1080
240	C.W.A.	4.00	4.60	1080
277	C.W.A.	3.50	4.00	1080
480	C.W.A.	2.00	2.30	1080
1500 Watt Metal Halide				
120	C.W.A.	13.5	14.00	1610
208	C.W.A.	7.7	8.00	1610
240	C.W.A.	6.7	7.00	1610
277	C.W.A.	5.9	6.00	1610
480	C.W.A.	3.3	3.50	1610

†C.W.A. is Constant Wattage Autotransformer.

T Numbers and Temperature Ratings of "Classified Duty" Areamaster 1000

Type Fixture	T Ratings	Ambient Temperature °C	T Rating Temperature Range
1000W	325°C	25°	301-325°C

Quartzlite™ Floodlights

For 300W thru 1500W quartz tungsten halogen lamps.

Applications

- Heavy duty, weatherproof floodlights for industrial, commercial, and sports applications where efficient, controlled distribution is required. Widely used for sports and amusement areas, sign lighting, parking lots, accent lighting, security lighting and similar applications.

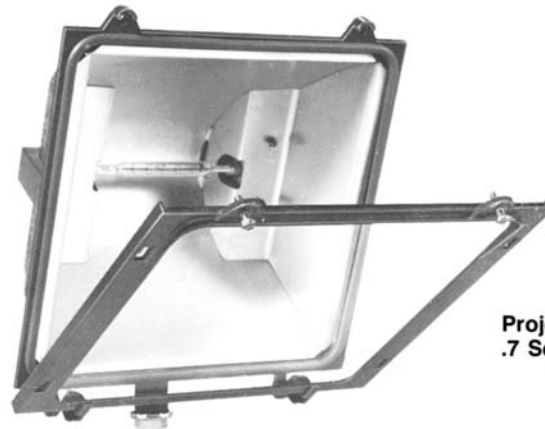
Features

- Choice of mounting fittings and accessories to meet installation needs.
- Rugged, compact, lightweight design; easy to install and maintain. Cool operating, long lamp life.
- Quartzlite 500 uses 500W or 300W 120V or 130V T-3 quartz tungsten halogen lamps with exceptional efficiency and economy.
- Quartzlite 1500 uses T-3 quartz tungsten halogen lamps. Available for use with 1500W lamps for 208V, 220V, 240V, and 277V operation; for 1250W lamps, 208V operation; and for 1000W lamps, 220V or 240V operation.
- Housing and lens door: rugged, corrosion resistant, one-piece pressure-cast aluminum, with architectural bronze POLYESTER finish. 1500W unit housing has integral fins for maximum heat dissipation. Patented hinged door has thermal shock and impact resistant glass lens. Secures with two 5/16" captive stainless steel hex-head bolts.
- Gasket: heavy, one-piece silicone rubber to resist high temperatures. Completely seals unit, assures weather-proof installation.
- Reflector: precision parabolic design, Alzak® finished aluminum for maximum efficiency.
- Mounting arm: heavy duty, degree-marked swivel mounting arm with 3/4" pipe thread and locknut.

Compliances

- UL Listed.
- UL Standard 1598 (supersedes UL Standards 1571).

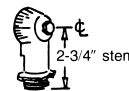
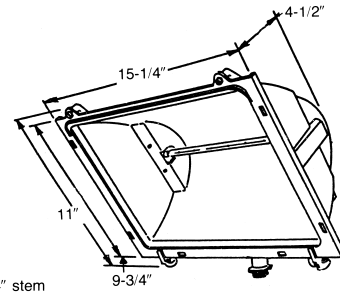
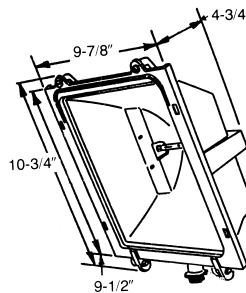
Projected Area:
1.2 Sq. Ft.



Projected Area:
.7 Sq. Ft.

Quartzlite™ 500

Quartzlite™ 1500



Quartzlite™ Floodlights

For 300W thru 1500W quartz tungsten halogen lamps.

Ordering Information

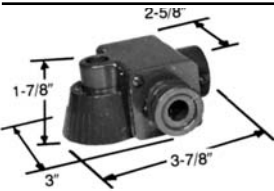

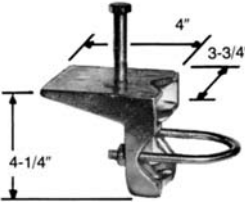
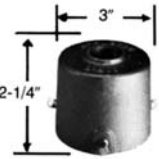
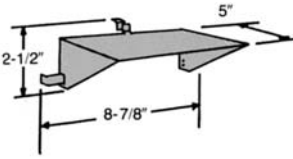
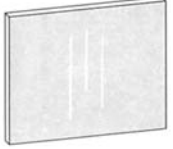
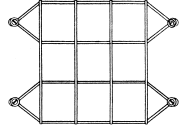
(Illumination based on use of T-3 Quartz tungsten Halogen lamps)

Description	NEMA Type	Beam Spread			Candlepower		Catalog Number	
		Horiz.	Vert.	Lumens	Max.	Avg. Max.	With Lamp	Without Lamp
Quartzlite™ 1500								
Wide Beam	6 x 6	128.0°	103.0°	23,218	18,689	17,564	G-1500L240 ❶ G-1500L277 ❷	G-1500-❸ —
Quartzlite™ 500								
Wide	5 x 5	95°	92°	6,846	8,416	7,685	G-500-5-L130 ❹	G-500-5 ❺

❶ Furnished with 1500W lamps for 240-volt line operation. ❷ Furnished with 1500W lamps for 277-volt line operation. ❸ For 1500W lamps for 208, 220, 240 or 277-volt line operation; 1250W lamps for 208-volt line operation; 1000W lamps for 220 or 240-volt line operation.

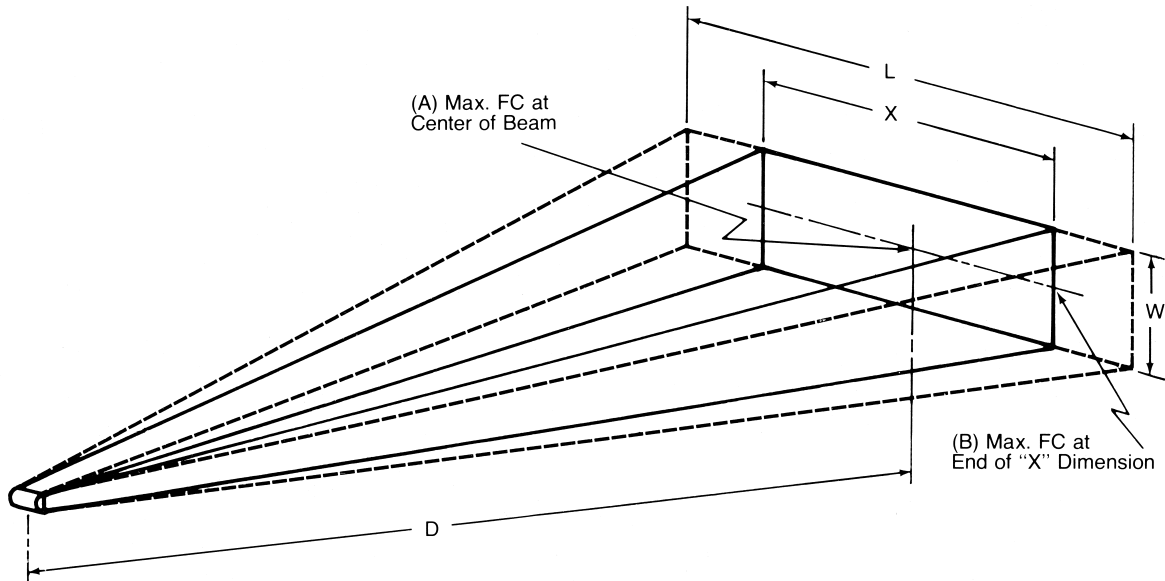
❹ Furnished with 500W lamps for 120 or 130-volt line operation. ❺ For 300W or 500W lamps for 120 or 130-volt line operation.

Mounting Fittings and Accessories

Dimensions	Description	Cat. No.	Dimensions	Description	Cat. No.
	Crossarm Mount and Wiring Compartment 180° horizontal position scale, mounts with bolt (not furnished). Aluminum with architectural bronze POLYESTER finish. Includes cord grip.	G-6028N		Channel Crossarm Extruded aluminum, with slide-off cover. Has six 3/4" threaded holes, with three close-up plugs. Mounts five 500W or four 1500W Quartzlites. Mounts on 3/4" conduit or G-810 poletop fitter.	G-6017
	Pipe or Wall Mount Bracket Mounts on 1" to 2" pipe, vertical or horizontal, or mounts on flat surfaces (used with G-6028N). Includes U-bolts and bolt for G-6028N. Malleable iron, zinc plated, chromate sealed, architectural bronze POLYESTER finish.	G-VB101		Poletop Fitter Cast aluminum, for mounting to 1-1/2" or 2" pipe. Has setscrews for securing to pole, 3/4" tapped top hub to accommodate Quartzlite or Channel Crossarm above. Architectural bronze POLYESTER finish.	G-810
	Top Visor 500W	GMM4V		Replacement Lens 500W 1500W	601252002 601252001
	Wire Guard 500W	G-506	Replacement Lens Frame Assembly (Complete with Lens) 500W 1500W	Replacement Lens Frame Assembly (Complete with Lens) 500W 1500W	G5005RFL G1500RFL
			Replacement Socket Assembly (Pair) 500W 1500W	Replacement Socket Assembly (Pair) 500W 1500W	G5005RS G1500RS

Quartzlite™ Floodlights

For 300W thru 1500W quartz tungsten halogen lamps.



Quick-Estimate Illumination Table ♦

Note: To simplify proper beam overlapping, the size of "X" has been determined so that footcandles at edge (B) are approximately 1/3 of center intensity (A).

Quartzlite™ 500

Beam Spread	D=10 Feet					D=20 Feet					D=40 Feet				
	A	B	L	W	X	A	B	L	W	X	A	B	L	W	X
Wide	77	44	24'	19'	10'	19	11	48'	38'	21'	5	3	96'	77'	42'
Wide	D=80 Feet					D=100 Feet					D=200 Feet				
	A	B	L	W	X	A	B	L	W	X	A	B	L	W	X
	1.2	.7	192'	153'	83'	.8	.4	240'	190'	104'	.2	.1	481'	383'	208'

Quartzlite™ 1500

Beam Spread	D=10 Feet					D=20 Feet					D=40 Feet				
	A	B	L	W	X	A	B	L	W	X	A	B	L	W	X
Wide	176	74	33'	24'	13'	44	19	67'	48'	25'	11	5	133'	95'	51'
Wide	D=80 Feet					D=100 Feet					D=200 Feet				
	A	B	L	W	X	A	B	L	W	X	A	B	L	W	X
	3	1.2	266'	191'	102'	1.7	0.7	333'	238'	127'	.4	.2	666'	477'	255'

♦ Photometric charts available on request.

Quartzlite 50™ Floodlight

For 300W thru 500W quartz tungsten halogen lamps.

Applications

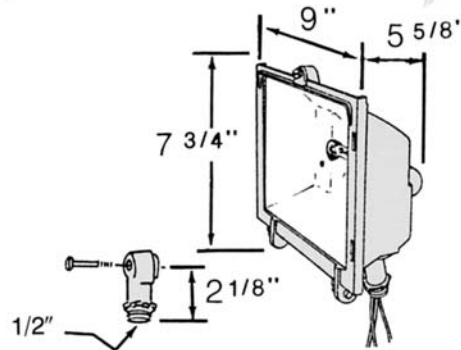
- Recreation— Fun after dark with illuminated swimming pools, basketball, and other court and play areas.
- Beauty— Illuminate your home, patio and garden to maximize the beauty of your home.
- Safety— Eliminate night-time hazards with lighting on outdoor stairways, walkways, and driveways.
- Security - illuminate backyards, entrance ways and other areas for protection against intruders.
- Saves Energy.
- Uses standard household current (120 volts, A.C.)

Features

- Strong, compact, lightweight fixture can be installed anywhere outdoors.
- Bright anodized aluminum parabolic reflector for efficient light distribution.
- Lamp held securely in spring-loaded porcelain socket for positive contact.
- Housing is a single pressure-cast aluminum piece with no fasteners, crevices or parts to loosen or collect dirt; will not rust.
- Flowing lines for an attractive appearance blend with any architectural style.
- Reinforcing rib keeps lens door flat against housing.
- Heat- and shatter-resistant glass lens sealed against door frame with continuous one-piece silicone rubber gasket keeps moisture and dirt out.
- Door hinges cast permanently as part of the housing securely anchor door, yet entire door can be removed if desired.
- Steel slotted/hex screw easily releases door for re-lamping; captive screw cannot fall out of door.
- Adjustable swivel mount allows 180° vertical rotation.
- Easy to install 1/2" N.P.T. thread with locknut.
- Attaches to standard electrical box cover plate (not furnished). Only two wires plus ground to connect.

Compliances

- UL Listed — UL Standard 1598.



Ordering Information

(Illumination based on use of T-3 Quartz Tungsten Halogen Lamps)

Description	NEMA Type	Lumens	Candlepower		Catalog Number	
			Max.	Avg. Max.	With Lamp	Without Lamp
Wide Beam	5 x 5	6,846	8,416	7,685	G-50-5-L120	G-50-5

Mounting Angle	Mounting Height	Area Illuminated Width x Depth	Mounting Angle	Mounting Height	Area Illuminated Width x Depth
	12'	70'x70'		12'	80'x75'
	16'	80'x80'		16'	90'x85'
	20'	100'x80'		20'	100'x90'

Beam-Master™ Floodlights

General purpose and heavy duty floodlights with ballast for 400W, 1000W and 1500W metal halide lamps or 400W and 1000W high pressure sodium lamps.



Applications

- Large areas such as building facades, ship loading docks, truck terminals, security lighting, airports, athletic stadiums and sports fields.

Features

- General purpose and heavy duty units available for 400W, 1000W or 1500W metal halide lamps or 400W and 1000W high pressure sodium lamps. Choice of five different NEMA beam spreads (1000W HPS, two beam spreads; 400W MH, three beam spreads.)
- Compact design combines reflector assembly and ballast housing as a single unit — easier to wire and install.
- Balanced weight distribution allows swing-over design for easy relamping and servicing.
- Sturdy and rugged — withstands high vibration and rugged usage.
- Reflectors are Alzak® finished aluminum for maximum efficiency. Heavy duty Beam-Master units also have a white powder-coat polyester finished housing to protect the reflector.
- Hinged lens assembly; thermal shock and impact resistant glass lens in a stainless steel frame with snap-action stainless steel clamps. A one-piece silicone rubber gasket makes the floodlight weatherproof.
- Breather openings allow unit to breathe, yet keep dirt and moisture out.
- Floodlights have aiming device, plus 180° vertical positioning scale. Fully adjustable horizontally with crossarm bracket or poletop mount.
- Swing-over design with a “memory” locking device for accurate return to pre-aimed position after servicing.
- Mogul-base porcelain socket has heavy gauge brass, nickel-plated, double lamp-grip screw shell and spring-loaded center contact.
- Heavy duty models have heavy shroud for protection against severe weather, such as high winds and hail.
- Socket/ballast housing is rugged cast aluminum. Cord enters through a weatherproof cord grip.
- Yoke is rugged 6061-T6 aluminum



Poletop Slip-Fitter Mounting



Crossarm Mounting

alloy. Crossarm bracket and poletop slip-fitter are malleable iron.

- Ballasts are Class H insulated, U.L. listed, C.W.A. type, available multi-tapped 120V, 208V, 240V or 277V, or single-tap for 480V.
- Ballast housing is rugged weatherproof, die cast aluminum with white

powder coat polyester finish, complete with cord grip. White finish reflects heat for lower operating temperature and longer ballast life.

Compliances

- UL Listed, UL Standard 1598.

Beam-Master™ Metal Halide Floodlights

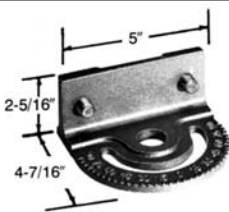
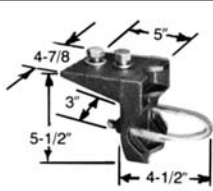
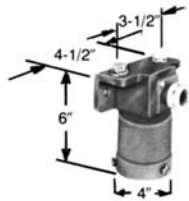

General purpose and heavy duty floodlights with ballast for 400W, 1000W and 1500W metal halide lamps.

Ordering Information, with Yoke Mounting and Ballast

NEMA Type	Beam Spread Horiz x Vert.	Beam Lumens	Beam Effic.	Candlepower		Line Voltage	Catalog Number	
				Avg. Max. CP	Max CP		General Purpose	Heavy Duty
With Ballast for 1000W Metal Halide Lamp								
II	20.2° x 21.1°	37,577	34.2%	1,332,312	1,547,349	120-277◇ 480	G-SM821H-MTN◇ G-SM821H-48N	G-SM821HH-MTN◇ G-SM821HH-48N
III	45.1° x 45.1°	55,104	50.1%	481,977	638,600	120-277◇ 480	G-SM831H-MTN◇ G-SM831H-48N	G-SM831HH-MTN◇ G-SM831HH-48N
IV	58.6° x 59.3°	61,562	56.0%	213,277	266,126	120-277◇ 480	G-SM841H-MTN◇ G-SM841H-48N	G-SM841HH-MTN◇ G-SM841HH-48N
V	73.6° x 74.0°	66,843	60.8%	128,822	160,661	120-277◇ 480	G-SM851H-MTN◇ G-SM851H-48N	G-SM851HH-MTN◇ G-SM851HH-48N
VI	111.5° x 111.2°	74,020	67.3%	76,050	82,363	120-277◇ 480	G-SM861H-MTN◇ G-SM861H-48N	G-SM861HH-MTN◇ G-SM861HH-48N
With Ballast for 1500W Metal Halide Lamp								
II	20.2° x 21.1°	52,950	34.2%	1,877,349	2,180,356	120-277◇ 480	G-SM921H-MTN◇ G-SM921H-48N	G-SM921HH-MTN◇ G-SM921HH-48N
III	45.1° x 45.1°	77,646	50.1%	679,149	899,846	120-277◇ 480	G-SM931H-MTN◇ G-SM931H-48N	G-SM931HH-MTN◇ G-SM931HH-48N
IV	58.6° x 59.3°	86,746	56.0%	300,526	374,996	120-277◇ 480	G-SM941H-MTN◇ G-SM941H-48N	G-SM941HH-MTN◇ G-SM941HH-48N
V	73.6° x 74.0°	94,188	60.8%	181,522	226,386	120-277◇ 480	G-SM951H-MTN◇ G-SM951H-48N	G-SM951HH-MTN◇ G-SM951HH-48N
VI	111.5° x 111.2°	104,301	67.3%	107,161	116,057	120-277◇ 480	G-SM961H-MTN◇ G-SM961H-48N	G-SM961HH-MTN◇ G-SM961HH-48N
With Ballast for 400W Metal Halide Lamp								
II	20.9° x 20.1°	14,538	36.3%	345,368	528,021	120-277◇ 480	G-SM721H-MTN◇ G-SM721H-48N	G-SM721HH-MTN◇ G-SM721HH-48N
V	73.1° x 72.8°	19,566	48.9%	35,090	54,015	120-277◇ 480	G-SM751H-MTN◇ G-SM751H-48N	G-SM751HH-MTN◇ G-SM751HH-48N
VI	108.4° x 99.1°	22,656	66.6%	28,815	34,043	120-277◇ 480	G-SM761H-MTN◇ G-SM761H-48N	G-SM761HH-MTN◇ G-SM761HH-48N

◇Ballast has primary taps for 120V, 208V, 240V, and 277V.

Mounting Fittings and Accessories

Dimensions	Description	Cat. No.	Dimensions	Description	Cat. No.
	Crossarm Mounting Bracket* 180° horizontal adjustment—degree-marked. Facilitates mounting floodlight to crossarm or other flat surface, or to G-AM-8-WB. Includes floodlight yoke bolts.	G-AM-8-CA		Pipe or Wall Mount Bracket* Used with G-AM-8-CA. Clamps to 1" to 2" pipe, vertical or horizontal, or mounts on flat surfaces. Includes U-bolt and crossarm bracket bolts.	G-AM-8-WB
	Poletop Slip-Fitter* Slip-fits 2" or 2-1/2" poletop tenons. Includes floodlight yoke bolts, 3 locking bolts and cord grip.	G-AM-8-SF		Fuse and Cartridge Cartridges are furnished complete with two 10"-long high temperature wire leads and 600V fuse.	10 Amp. G-F10 20 Amp. G-F20

*Malleable iron, zinc plated, chromate sealed, architectural bronze POLYESTER finish.

Beam-Master™ High Pressure Sodium Floodlights

General purpose and heavy duty floodlights with ballast for 400W or 1000W high pressure sodium lamps.

Ordering Information, with Yoke Mounting and Ballast

NEMA Type	Beam Spread Horiz x Vert.	Beam Lumens	Beam Effic.	Candlepower		Line Voltage	Catalog Number	
				Avg. Max. CP	Max CP		General Purpose	Heavy Duty
With Ballast for 1000W High Pressure Sodium Lamp								
V	69.1° x 65.2°	63,710	45.5%	175,347	302,942	120-277◇ 480	G-SM851L-MTN◇◇ G-SM851L-48N	G-SM851LH-MTN◇◇ G-SM851LH-48N
VI	110.3° x 104.6°	81,722	58.4%	81,998	107,556	120-277◇ 480	G-SM861L-MTN◇◇ G-SM861L-48N	G-SM861LH-MTN◇◇ G-SM861LH-48N

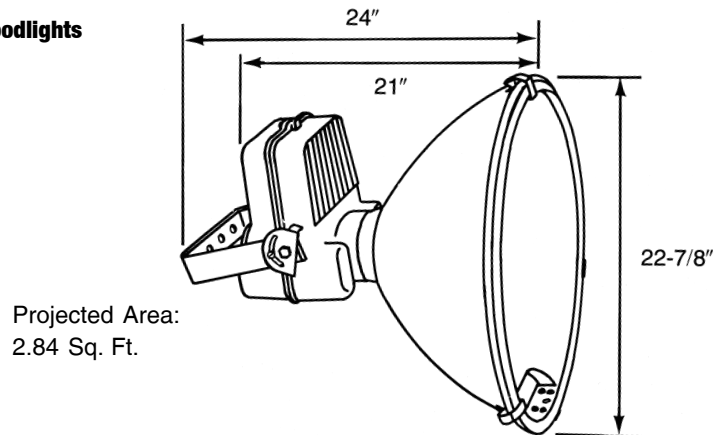
With Ballast for 400W High Pressure Sodium Lamp

II						120-277◇ 480	G-SM721L-MTN◇◇ G-SM721L-48N	G-SM721LH-MTN◇◇ G-SM721LH-48N
III						120-277◇ 480	G-SM731L-MTN◇◇ G-SM731L-48N	G-SM731LH-MTN◇◇ G-SM731LH-48N
IV						120-277◇ 480	G-SM741L-MTN◇◇ G-SM741L-48N	G-SM741LH-MTN◇◇ G-SM741LH-48N
V						120-277◇ 480	G-SM751L-MTN◇◇ G-SM751L-48N	G-SM751LH-MTN◇◇ G-SM751LH-48N
VI						120-277◇ 480	G-SM761L-MTN◇◇ G-SM761L-48N	G-SM761LH-MTN◇◇ G-SM761LH-48N



◇Ballast has primary taps for 120V, 208V, 240V, and 277V.

Dimensions of Beam-Master™ Floodlights



Electrical Specifications

Line Volts	Metal Halide									High Pressure Sodium					
	400W			1000W			1500W			400W			1000W		
	Start	Oper.	Total Watts	Start	Oper.	Total Watts	Start	Oper.	Total Watts	Start	Oper.	Total Watts	Start	Oper.	Total Watts
120	3.25	4.00	458	8.0	9.20	1080	13.50	14.0	1610	3.10	3.90	465	6.35	9.50	1100
208	1.90	2.30	458	4.0	5.30	1080	7.70	8.00	1610	1.80	2.25	465	3.80	5.50	1100
240	1.65	2.00	458	4.0	4.60	1080	6.70	7.00	1610	1.60	1.95	465	3.20	4.80	1100
277	1.40	1.75	458	3.50	4.00	1080	5.90	6.00	1610	1.35	1.70	465	2.75	4.15	1100
480	.85	1.00	465	2.00	2.30	1080	2.25	3.50	1610	.80	1.00	465	1.80	2.45	1100

‡C.W.A.—Constant Wattage Autotransformer.

Explosionproof Floodlights

For 150W or 300W reflector incandescent lamps.

Applications

- Class I, Groups C and D locations such as aircraft service areas, oil and gas loading docks, distilleries.

Features

- Floodlights feature rugged, light-weight cast aluminum construction and are factory wired and sealed — no external seals are required. Choice of lamp types provides various distribution patterns. Use medium base 150W PAR-38, R-40 or 300W R40 reflector lamps.
- Yoke is manufactured of high-strength aluminum alloy.
- Floodlight housing, wheelbase, yoke and wiring compartment are aluminum enamel finished.
- Portable model with wheelbase has handle for convenient carrying, built-on wrench allowing 135° vertical adjustment. Weighs 19 lbs.; easy to carry.
- External cable on portable wheelbase unit (not furnished) should be 3-conductor No. 16 A.W.G. type S or SO rubber covered cable. Service end of cord should be equipped with a 2-wire, 3-pole explosionproof plug (see Catalog Section L) for connecting to an explosionproof receptacle.
- Terminal block has pressure terminal for connecting rubber covered cable to floodlight. Cable Connector takes a .375" to .500" outside diameter cord. Sizes up to .625" diameter are available on special order.
- Permanent base model has explosionproof junction wiring chamber with 3/4" horizontal feed-thru hubs. Vertical adjustment to 135°; horizontal to 345°.
- Lens is thermal shock and impact resistant glass.

Compliances

- UL Listed Standard 844.
- EF Series floodlight for 150W PAR-38 or R-40 reflector lamps: Class I, Groups C, D.
- EF Series floodlight for 300W R-40 reflector lamps: Class I, Group D.
- Copperfree aluminum alloy and stainless steel construction withstands 500 hours of salt-spray test. Per MIL-F-8115C.



GEFWB-30



GEFJB-30

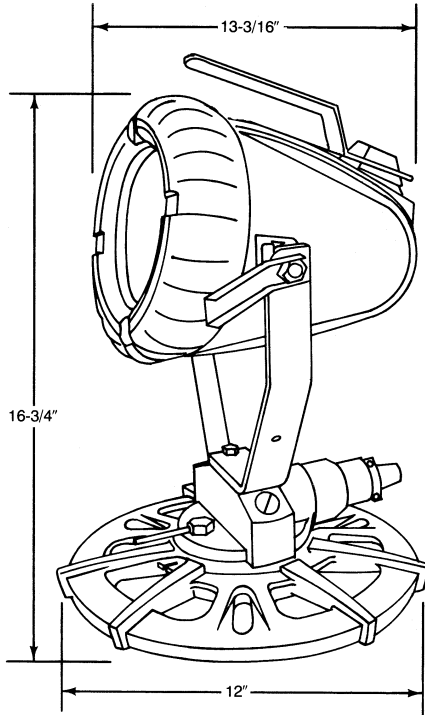
Explosionproof Floodlights

For 150W or 300W reflector incandescent lamps.

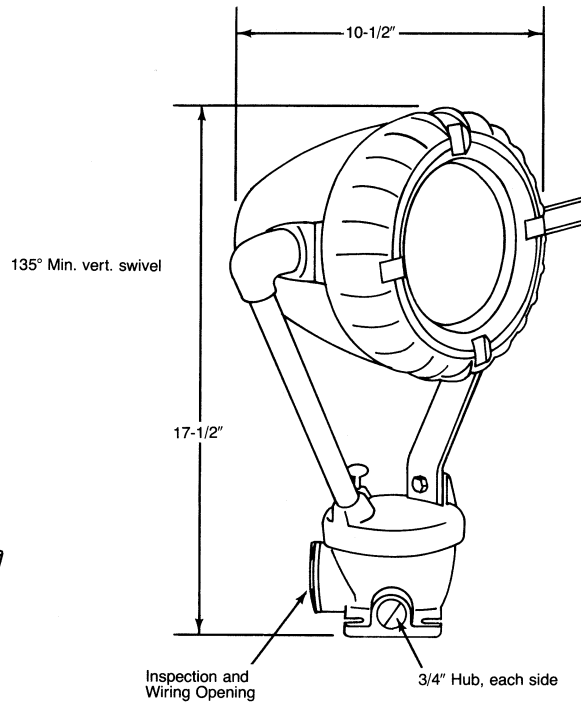
EF Series floodlight for 150W PAR-38 or R-40 reflector lamps: Class I, Groups C, D.

EF Series floodlight for 300W R-40 reflector lamps: Class I, Group D.

Wheelbase Floodlight (GEFWB-30)

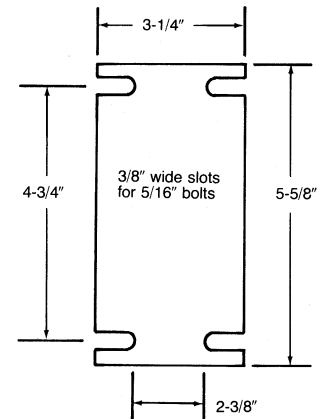


Permanent Base Floodlight (GEFJB-30)



Ordering Information

Description	Catalog Number
EF Series Explosionproof Floodlights For 150W incandescent medium base PAR-38 (T3C) projector spot or flood, or 150W or 300W incandescent medium base R-40 (T2C) reflector spot or flood Portable Flood with Wheelbase and Handle. Accommodates .375"-.500"† cable.	G-EFWB-30
Permanent Base Floodlight, for .314" conduit	G-EFJB-30



**G-EFJB-30
Base Dimensions**

† Can be furnished to accommodate cable sizes to .625" Dia. on special order. Cable must be ordered separately.

Supplementary Photometric Information*

Catalog Number	Lamp	Photometric Data
----------------	------	------------------

Areamaster™ 100 Floodlights



High Pressure Sodium				
G-AM471L-MT	WATTS	150	HORIZONTAL SPREAD	141°
	LUMENS	16,000	VERTICAL SPREAD	115°
	BULB	E-23-1/2 Clear	BEAM LUMENS	8148
	LIGHT CENTER LGTH.	5"	BEAM EFFICIENCY	50.9%
	BASE	Mogul Screw	MAX. CP.	5155
		TOTAL LUMENS	8552	
		TOTAL EFFICIENCY	53.5%	
G-AM371L-MT	WATTS	100	HORIZONTAL SPREAD	141°
	LUMENS	9500	VERTICAL SPREAD	115°
	BULB	E-23-1/2 Clear	BEAM LUMENS	4838
	LIGHT CENTER LGTH.	5"	BEAM EFFICIENCY	50.9%
	BASE	Mogul Screw	MAX. CP.	3061
		TOTAL LUMENS	5062	
		TOTAL EFFICIENCY	53.3%	
G-AM271L-MT	WATTS	70	HORIZONTAL SPREAD	141°
	LUMENS	5800	VERTICAL SPREAD	113°
	BULB	E-23-1/2 Clear	BEAM LUMENS	2982
	LIGHT CENTER LGTH.	5"	BEAM EFFICIENCY	51.4%
	BASE	Mogul Screw	MAX. CP.	2025
		TOTAL LUMENS	3124	
		TOTAL EFFICIENCY	53.9%	
Mercury Vapor				
G-AM371M-MT	WATTS	100	HORIZONTAL SPREAD	144°
	LUMENS	4200	VERTICAL SPREAD	137°
	BULB	E-23-1/2 DX White	BEAM LUMENS	1900
	LIGHT CENTER LGTH.	5"	BEAM EFFICIENCY	45.2%
	BASE	Mogul Screw	MAX. CP.	1042
		TOTAL LUMENS	1970	
		TOTAL EFFICIENCY	46.9%	

Areamaster™ 250/400 Floodlights



High Pressure Sodium				
G-AM771L-MT	WATTS	400	HORIZONTAL SPREAD	130°
	LUMENS	50,000	VERTICAL SPREAD	121°
	BULB	E-18 Clear	BEAM LUMENS	30,724
	LIGHT CENTER LGTH.	5-3/4"	BEAM EFFICIENCY	61.4%
	BASE	Mogul Screw	MAX. CP.	29,102
		TOTAL LUMENS	32,556	
		TOTAL EFFICIENCY	65.1%	
G-AM671L-MT	WATTS	250	HORIZONTAL SPREAD	126°
	LUMENS	30,000	VERTICAL SPREAD	115°
	BULB	E-18 Clear	BEAM LUMENS	18,068
	LIGHT CENTER LGTH.	5-3/4"	BEAM EFFICIENCY	60.2%
	BASE	Mogul Screw	MAX. CP.	18,925
		TOTAL LUMENS	19,270	
		TOTAL EFFICIENCY	64.2%	
Metal Halide				
G-AM771H-MT	WATTS	400	HORIZONTAL SPREAD	126°
	LUMENS	34,000	VERTICAL SPREAD	112°
	BULB	E-37 Clear	BEAM LUMENS	21,216
	LIGHT CENTER LGTH.	7"	BEAM EFFICIENCY	62.4%
	BASE	Mogul Screw	MAX. CP.	28,390
		TOTAL LUMENS	22,404	
		TOTAL EFFICIENCY	65.9%	

Photometric Data typical for all voltages.
*Photometric charts available on request.

Continued on following page

Supplementary Photometric Information*

Continued from preceding page

Areamaster™ 250/400 Floodlights (Continued)



Catalog Number	Lamp	Photometric Data
Metal Halide (Cont'd)		
G-AM671H-MT	WATTS	250
	LUMENS	20,500
	BULB	E-28 Clear
	LIGHT CENTER LGTH.	5"
	BASE	Mogul Screw
		HORIZONTAL SPREAD 126°
		VERTICAL SPREAD 114°
		BEAM LUMENS 12,532
		BEAM EFFICIENCY 61.1%
		MAX. CP. 15,285
		TOTAL LUMENS 13,362
		TOTAL EFFICIENCY 65.2%
G-AM571H-MT	WATTS	175
	LUMENS	14,000
	BULB	E-28 Clear
	LIGHT CENTER LGTH.	5"
	BASE	Mogul Screw
		HORIZONTAL SPREAD 131°
		VERTICAL SPREAD 116°
		BEAM LUMENS 9,452
		BEAM EFFICIENCY 67.5%
		MAX. CP. 14,541
		TOTAL LUMENS 10,092
		TOTAL EFFICIENCY 72.1%
Pulse Start Metal Halide		
G-AM771P-MT	WATTS	400
	LUMENS	44,000
	BULB	E-37 Clear
	LIGHT CENTER LGTH.	7"
	BASE	Mogul Screw
		HORIZONTAL SPREAD 122°
		VERTICAL SPREAD 103°
		BEAM LUMENS 27,553
		BEAM EFFICIENCY 62.6%
		MAX. CP. 35,408
		TOTAL LUMENS 29,997
		TOTAL EFFICIENCY 68.2%
G-AM3271P-MT	WATTS	320
	LUMENS	33,000
	BULB	E-37 Clear
	LIGHT CENTER LGTH.	7"
	BASE	Mogul Screw
		HORIZONTAL SPREAD 126.2°
		VERTICAL SPREAD 88°
		BEAM LUMENS 16,773
		BEAM EFFICIENCY 50.8%
		MAX. CP. 27,445
		TOTAL LUMENS 19,753
		TOTAL EFFICIENCY 59.9%
G-AM671P-MT	WATTS	250
	LUMENS	25,000
	BULB	E-28 Clear
	LIGHT CENTER LGTH.	5"
	BASE	Mogul Screw
		HORIZONTAL SPREAD 132°
		VERTICAL SPREAD 103°
		BEAM LUMENS 14,517
		BEAM EFFICIENCY 58%
		MAX. CP. 19,158
		TOTAL LUMENS 15,585
		TOTAL EFFICIENCY 62.3%
G-AM2071P-MT	WATTS	200
	LUMENS	21,000
	BULB	E-28 Clear
	LIGHT CENTER LGTH.	5"
	BASE	Mogul Screw
		HORIZONTAL SPREAD 130.3°
		VERTICAL SPREAD 93.1°
		BEAM LUMENS 11,866
		BEAM EFFICIENCY 56.5%
		MAX. CP. 13,350
		TOTAL LUMENS 13,792
		TOTAL EFFICIENCY 65.7%
Mercury Vapor		
G-AM771M-MT	WATTS	400
	LUMENS	22,000
	BULB	E-37 Deluxe White
	LIGHT CENTER LGTH.	7"
	BASE	Mogul Screw
		HORIZONTAL SPREAD 139°
		VERTICAL SPREAD 129°
		BEAM LUMENS 13,410
		BEAM EFFICIENCY 59.6%
		MAX. CP. 8,341
		TOTAL LUMENS 14,010
		TOTAL EFFICIENCY 62.3%
G-AM671M-MT	WATTS	250
	LUMENS	12,100
	BULB	E-28 Deluxe White
	LIGHT CENTER LGTH.	5"
	BASE	Mogul Screw
		HORIZONTAL SPREAD 134°
		VERTICAL SPREAD 122°
		BEAM LUMENS 8,222
		BEAM EFFICIENCY 68%
		MAX. CP. 6,453
		TOTAL LUMENS 8,762
		TOTAL EFFICIENCY 72.4%

Photometric Data typical for all voltages.

*Photometric charts available on request.

